

PEDESTAL MOUNT

46	1	FLANGE
45	4	ROUND HEAD SCREW
44	2	COVER PLATE
43	6	LOCK WASHER
42	6	HEX HEAD CAP SCREW
37	4	SOCKET HEAD CAP SCREW
36	4	LOCK WASHER
34	1	PEDESTAL
NO.	QTY	PART NAME

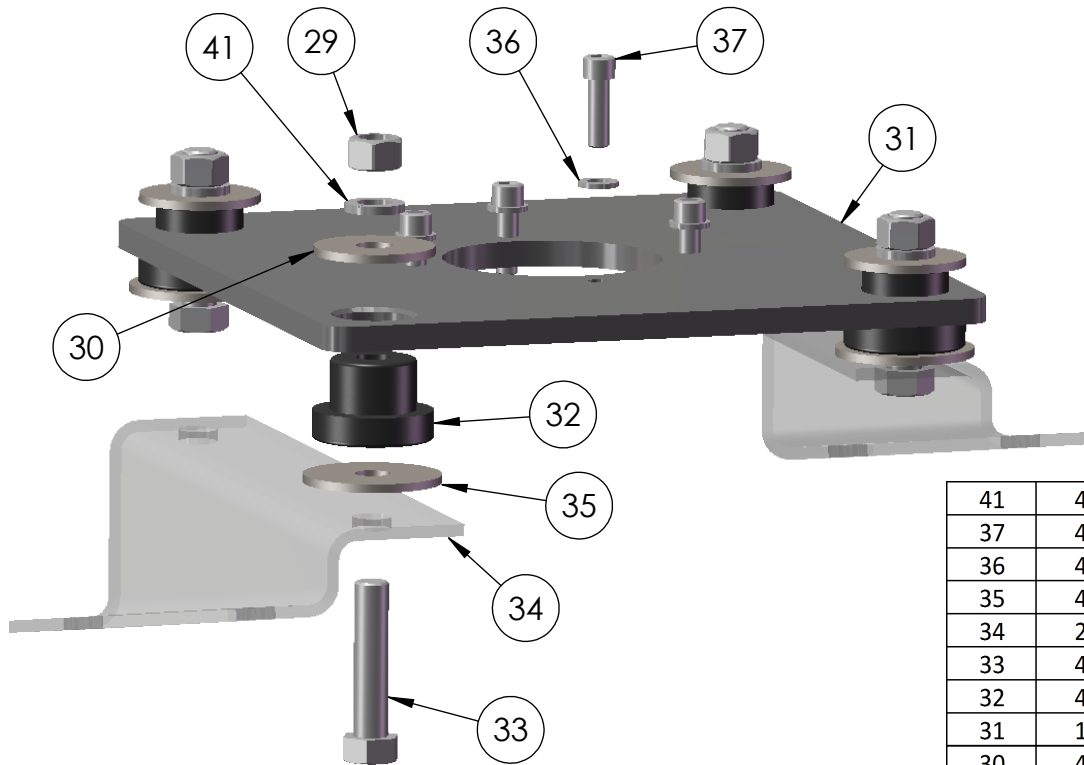


PLATE MOUNT

41	4	LOCK WASHER
37	4	SOCKET HEAD CAP SCREW
36	4	LOCK WASHER
35	4	HEAD WASHER
34	2	ANGLE RISER (OPT)
33	4	HEX HEAD CAP SCREW
32	4	ISOLATION MOUNT
31	1	MOUNTING PLATE
30	4	TAIL WASHER
29	4	HEX NUT
NO.	QTY	PART NAME

* ALL DIMENSIONS AND WEIGHTS ARE FOR REFERENCE ONLY UNLESS THE DRAWING IS CERTIFIED.

* ALL EQUIPMENT DESIGN AND APPLICATION DATA SHOWN HEREIN IS CONFIDENTIAL AND THE PROPERTY OF BRAWN MIXER. NO USE OR DISCLOSURE THEREOF MAY BE MADE WITHOUT OUR WRITTEN PERMISSION.



12838 Stainless Drive
Holland, MI 49424

PH: 616-399-5600
FAX: 616-399-3084

MIXER MODEL
MD/MG MOUNTING PLATE ASSY
FIXED MOUNT

DIMENSION AND ASSEMBLY DRAWING

DRAWN BY: BSB DATE: 10/8/2018 © 2018

APPROVED BY: DATE:

DWG. NO. **A- TK0164** REV.