



WSP™ Non-Clog Pump



# WSP™ Non-Clog Pump

Developed using advanced technology, the WSP non-clog pump minimizes operating costs, simplifies maintenance, and maximizes reliability.

## Rugged and Dependable

WSP non-clog pumps are designed and developed using advanced technology to meet demanding market requirements. The non-clog pump was created by the same engineers that developed the dependable WSP and WEMCO® pumps. The WSP non-clog pump is rugged and dependable, exactly the quality our customers have come to expect from WSP products.

The WSP non-clog pump design is an improved, modern design over conventional non-clog pumps in the market place. The WSP non-clog pump is designed to maintain high hydraulic efficiencies with the ability to handle large solids, improve overall pump efficiencies, reduce maintenance, and operating costs.

## Benefits

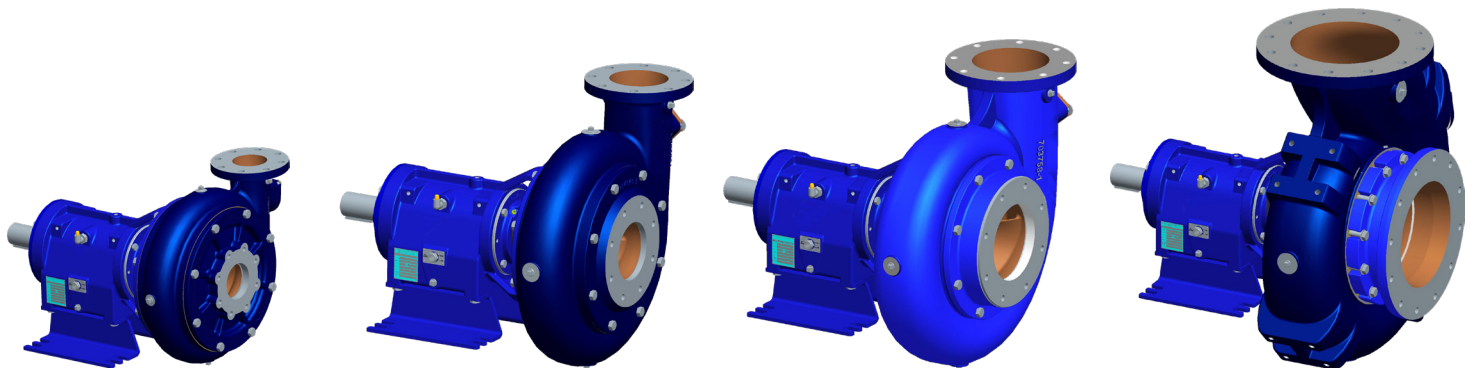
- Improved performance
- Lower cost
- Easy to maintain
- Extended operational life
- Larger clean-out port
- Combined bearing-frame and bracket to increase rigidity and reliability

## Capabilities

- Flow: up to 10,000 GPM/2,270 M<sup>3</sup>/hr
- Head: up to 340 ft/105 M
- Maximum solid sphere: 3 in/75 mm
- Available in horizontal, vertical, or trailer/skid mounted configurations
- Optional prime-assist available

## Applications

- Sewage lift stations
- Return activated sludge
- Waste activated sludge
- Sewage bypass
- Dewatering
- Digesters
- Water booster
- Manure
- Industrial waste
- Light abrasives
- Agricultural waste
- Mining



4 inch/100 mm

Head to: 270 feet (118 M)  
Flow to: 1325 GPM (305 M<sup>3</sup>/hr)  
Solids size: 3 inch (75 mm)

6 inch/150 mm

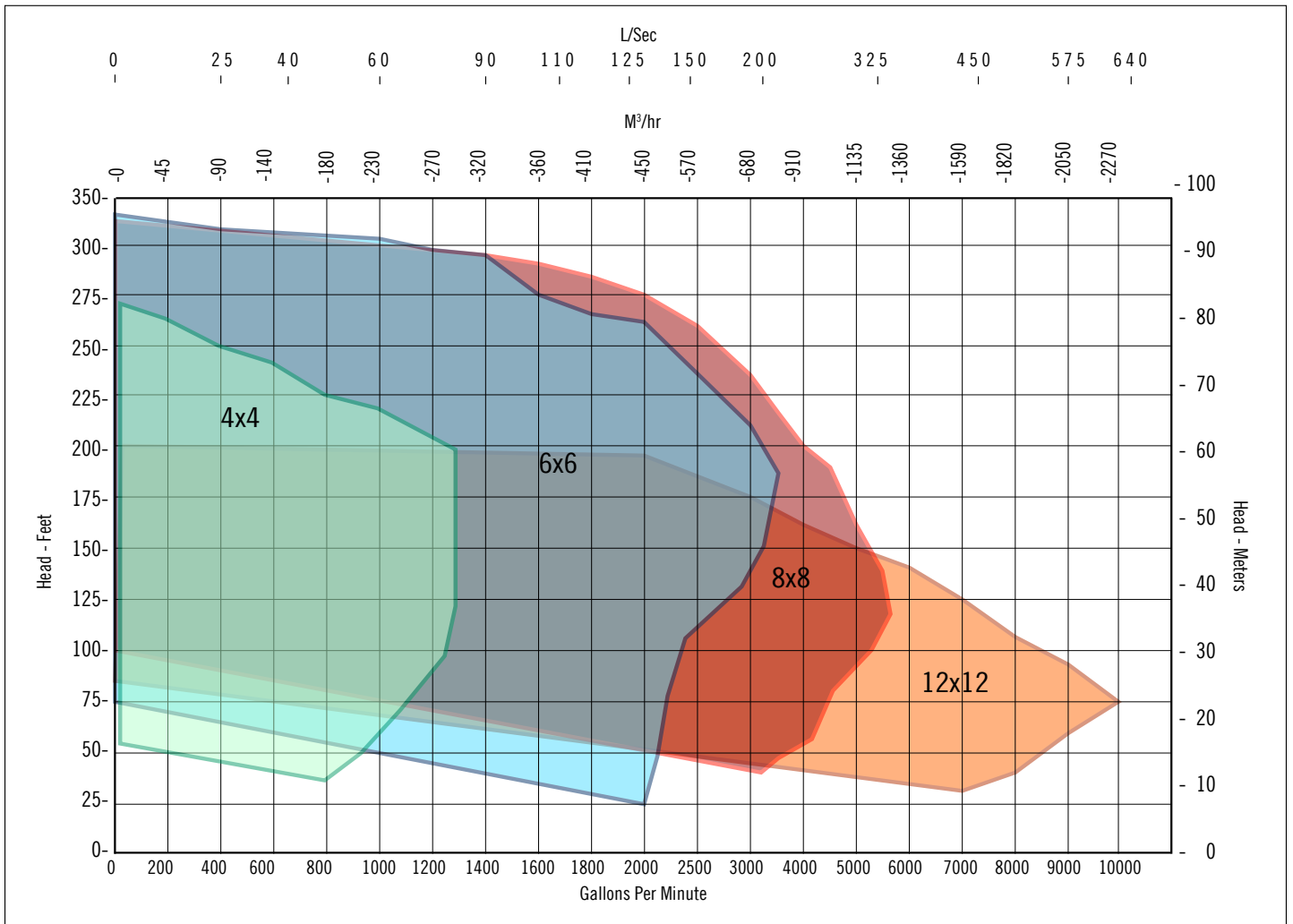
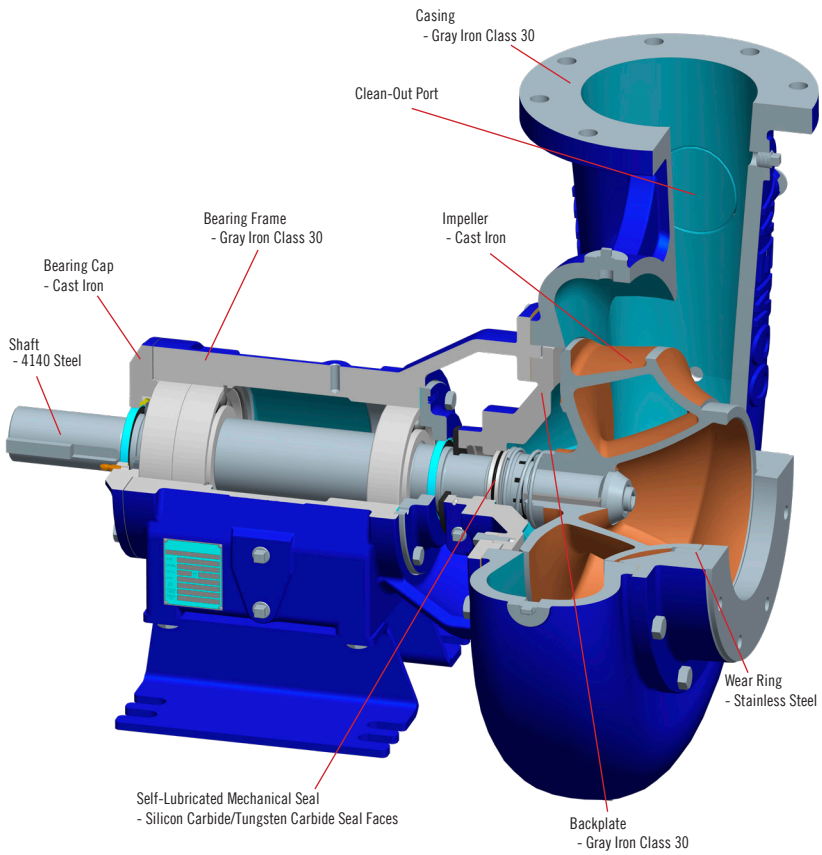
Head to: 340 feet (105 M)  
Flow to: 3450 GPM (810 M<sup>3</sup>/hr)  
Solids size: 3 inch (75 mm)

8 inch/200 mm

Head to: 325 feet (98 M)  
Flow to: 5750 GPM (1400 M<sup>3</sup>/hr)  
Solids size: 3 inch (75 mm)

12 inch/305 mm

Head to: 245 feet (75 M)  
Flow to: 11,000 GPM (2,498 M<sup>3</sup>/hr)  
Solids size: 3 inch (75 mm)





440 West 800 South  
Salt Lake City, UT 84101  
USA

T 801 359 8731  
[www.trilliumflow.com](http://www.trilliumflow.com)

