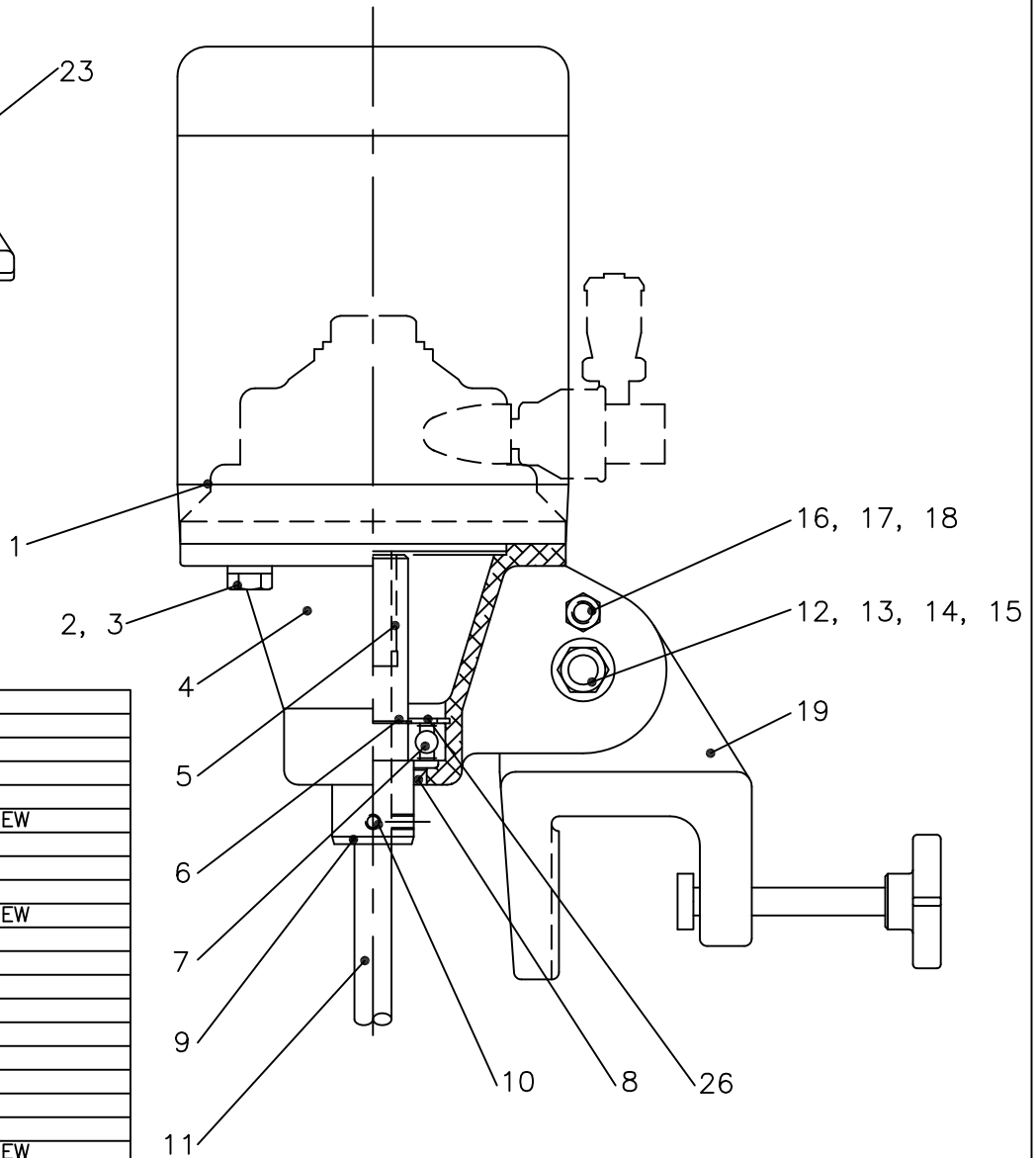


OPTIONAL
MOUNTING PLATE



26	1	SNAP RING
23	1	MOUNTING PLATE
19	1	CLAMP ASSEMBLY
18	1	LOCK WASHER
17	1	FLAT WASHER
16	1	HEX HEAD CAP SCREW
15	1	HEX NUT
14	1	LOCK WASHER
13	1	FLAT WASHER
12	1	HEX HEAD CAP SCREW
11	1	MIXER SHAFT
10	2	SET SCREW
9	1	CHUCK SHAFT
8	1	LIP SEAL
7	1	BEARING
6	1	SNAP RING
5	1	KEY
4	1	BEARING HOUSING
3	4	LOCK WASHER
2	4	HEX HEAD CAP SCREW
1	1	MOTOR

ITEM NO.	QTY.	PART NAME
----------	------	-----------

FOR REFERENCE ONLY

* ALL DIMENSIONS AND WEIGHTS ARE FOR REFERENCE ONLY UNLESS THE DRAWING IS CERTIFIED.
 * ALL EQUIPMENT DESIGN AND APPLICATION DATA SHOWN HEREIN IS CONFIDENTIAL AND THE PROPERTY OF BRAUN MIXER. NO USE OR DISCLOSURE THEREOF MAY BE MADE WITHOUT OUR WRITTEN PERMISSION.



12838 STAINLESS DRIVE
 HOLLAND, MI. 49424
 PH. 616-399-5600
 FAX 616-399-3084

MIXER MODEL SD25/33

DIMENSION AND ASSEMBLY DRAWING

DRAWN BY: CMW DATE: 8-1-94 © 2018

APPROVED BY: DATE:

DWG. NO. A- TK0036

REV. A