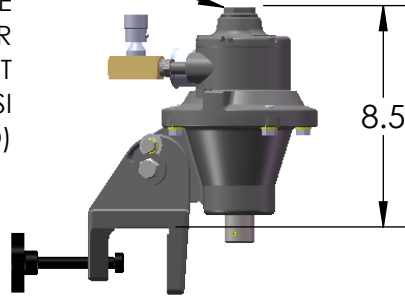


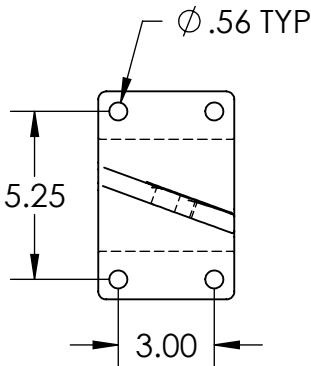
OPTIONAL DRUM ADAPTER WITH FOLDING PROP

AIR MOTOR OPTION
INCLUDES NEEDLE
VALVE AND MUFFLER
3/8" NPT
(23 CFM @ 40 PSI
AIR REQUIRED)



STANDARD MOTOR IS 1/3 HP TEFC,
115V, 1PH, 60 HZ.
MOTOR OPTIONS INCLUDE:

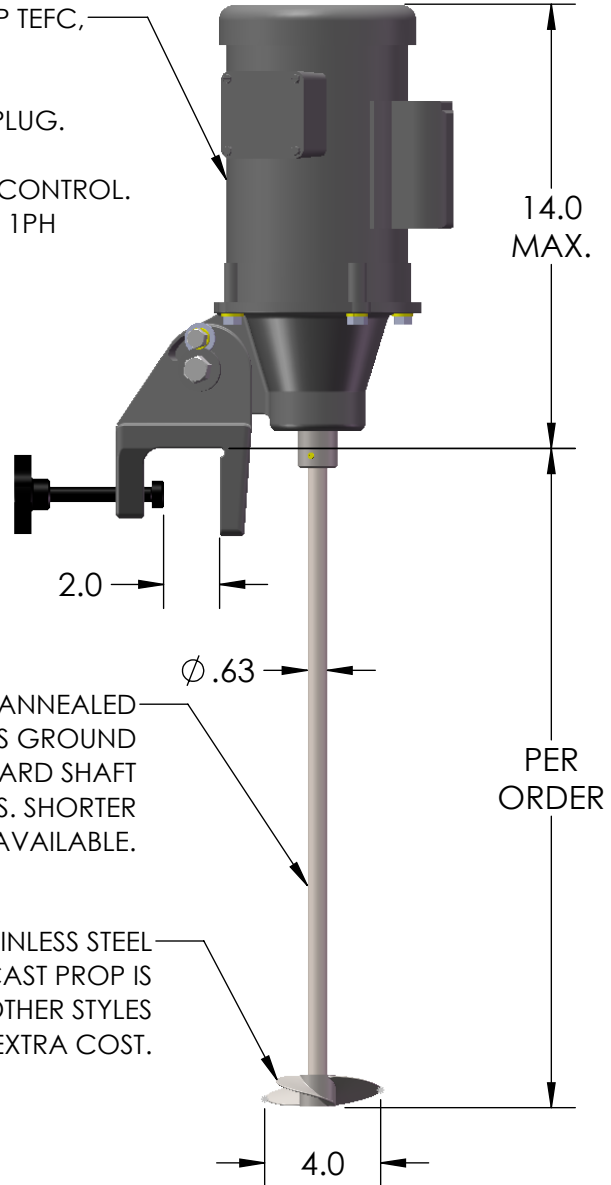
- SWITCH, CORD AND PLUG.
- 3PH TEFC
- DC WITH 115V SPEED CONTROL.
- 1/4 HP TEFC, 115VAC, 1PH
- AIR



OPTIONAL ADJUSTABLE BEAM MOUNT

NOTES:

1. CLAMP AND ADJUSTABLE BEAM MOUNT PROVIDE 20° ANGULAR OFF CENTER MOUNTING AND 0 TO 60° VERTICAL ADJUSTMENT.
2. ALL DIMENSIONS IN INCHES
3. APPROX. WGT: 24 LBS.



316 STAINLESS STEEL ANNEALED AND CENTERLESS GROUND SHAFT. STANDARD SHAFT LENGTH IS 36 INCHES. SHORTER SHAFTS OPTIONALLY AVAILABLE.

316 STAINLESS STEEL INVESTMENT CAST PROP IS STANDARD. OTHER STYLES AVAILABLE AT EXTRA COST.

FOR REFERENCE ONLY

* ALL DIMENSIONS AND WEIGHTS ARE FOR REFERENCE ONLY UNLESS THE DRAWING IS CERTIFIED.

* ALL EQUIPMENT DESIGN AND APPLICATION DATA SHOWN HEREIN IS CONFIDENTIAL AND THE PROPERTY OF BRAUN MIXER. NO USE OR DISCLOSURE THEREOF MAY BE MADE WITHOUT OUR WRITTEN PERMISSION.



12838 Stainless Drive
Holland, MI 49424

PH: 616-399-5600
FAX: 616-399-3084

MIXER MODEL
LD25/33

DIMENSION AND ASSEMBLY DRAWING

DRAWN BY: BSB DATE: 9/4/2018 © 2018

APPROVED BY: DATE:

DWG. NO. **A- TK0003** REV.