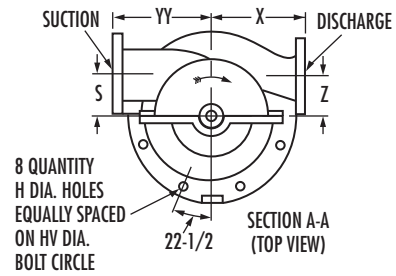
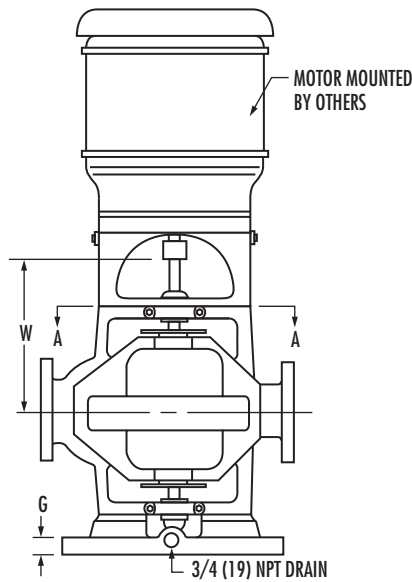
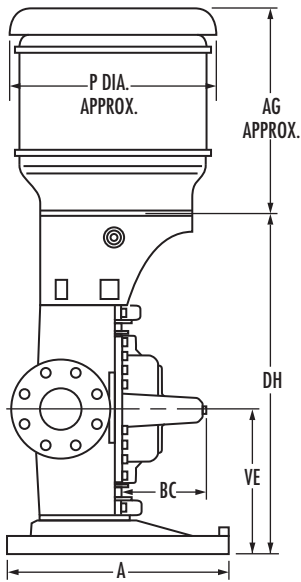


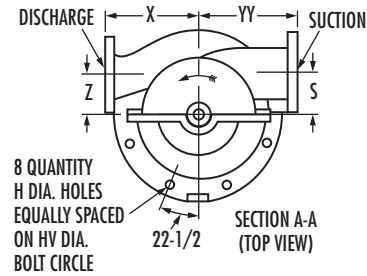
Supersedes Section 410 Page 206  
Dated April 2013

# AURORA® MODEL 413 PUMPS

2" THRU 4" PUMPS  
POWER SERIES NO. 1-2-3



**RIGHT-HAND ROTATION**



**LEFT-HAND ROTATION**

PUMP SIZE				POWER SERIES	BASE	S	W	X	Z	BC	VE	YY
DISCH	SUCT	CASE BORE										
2	2-1/2	9	1	1	3-1/2 (89)	11-5/8 (295)	8-1/2 (216)	3-1/2 (89)	6-3/8 (162)	11-1/8 (283)	9 (228)	
2	2-1/2	10	1	1	3-1/2 (89)	11-5/8 (295)	8-1/2 (216)	3-1/2 (89)	6-3/8 (162)	11-1/8 (283)	9 (228)	
2	2-1/2	12	1	1	4 (102)	11-5/8 (295)	10 (254)	4 (102)	7-7/8 (200)	11-1/8 (283)	10-3/4 (273)	
2-1/2	3	10	2	1	4 (102)	13-1/2 (343)	9-3/4 (247)	4 (102)	8 (203)	13 (330)	10 (254)	
2-1/2	3	12	2	1	4-1/2 (114)	13-1/2 (343)	11 (279)	4-1/2 (114)	8-1/4 (210)	13 (330)	11-1/2 (292)	
3	4	10	2	1	4-1/2 (114)	13-1/2 (343)	10 (254)	4-1/2 (114)	7-3/16 (183)	13 (330)	11 (279)	
3	4	14	2	1	5 (127)	13-1/2 (343)	12 (305)	5 (127)	9-3/8 (238)	13 (330)	13 (330)	
4	5	10	2	1	4-5/8 (117)	13-1/2 (343)	10 (254)	4-1/2 (114)	7-3/16 (183)	13 (330)	11-1/4 (286)	
4	5	11A/C	3	2	5 (127)	14-1/2 (368)	11-1/4 (286)	5 (127)	8-5/16 (211)	14 (356)	12-3/4 (324)	
4	5	11D	3	2	5 (127)	14-1/2 (368)	12 (305)	5 (127)	8-5/16 (211)	14 (356)	12-3/4 (324)	
4	5	15	3	2	5-1/2 (140)	14-1/2 (368)	13 (330)	5-1/2 (140)	9 (228)	14 (356)	14 (356)	

BASE	1	2	3	4
A	18 (457)	22 (558)	30 (762)	40 (1016)
G	1-3/4 (44)	1-3/4 (44)	2 (51)	2-1/4 (57)
H	3/4 (19)	3/4 (19)	7/8 (22)	7/8 (22)
HV	16-1/4 (413)	20 (508)	28 (711)	38 (965)

STD. 125# FLANGES	OPT. 250# FLANGES

FRAME	143	145	182	184	213	215	254	256	284	286	324	326	364	365	404	405	444	445
	P	8 (203)	8 (203)	10 (254)	10 (254)	11 (279)	11 (279)	13 (330)	13 (330)	16 (406)	16 (406)	18 (457)	18 (457)	21 (534)	21 (534)	22 (559)	22 (559)	24 (610)
AG	11 (279)	12 (305)	14 (356)	15 (381)	16 (406)	17 (432)	20 (508)	21 (534)	22 (559)	23 (584)	25 (635)	26 (660)	25 (635)	25 (635)	28 (711)	28 (711)	32 (813)	32 (813)
PUMP SIZE		DH																
2 x 2-1/2 x 9		26 (660)										28 (711)		NOT AVAILABLE				
2 x 2-1/2 x 10																		
2 x 2-1/2 x 12																		
2-1/2 x 3 x 10																		
2-1/2 x 3 x 12		30 (762)										32 (813)		NOT AVAILABLE				
3 x 4 x 10																		
3 x 4 x 14																		
4 x 5 x 10																		
4 x 5 x 11		33 (838)										35 (889)		NA				
4 x 5 x 15																		

**NOTES:**

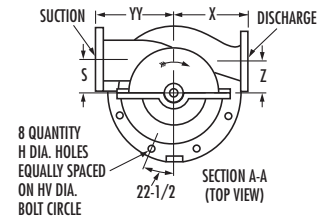
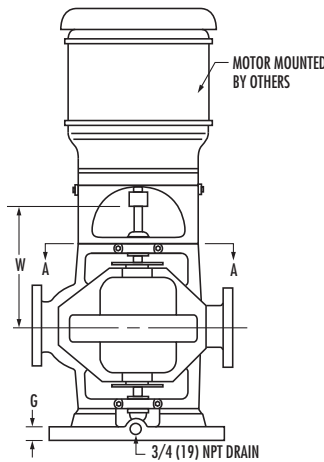
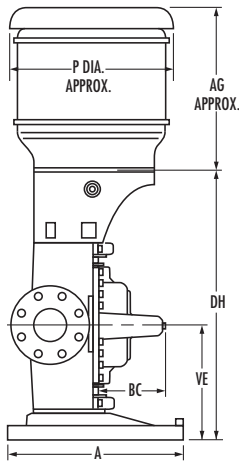
- All dimensions in inches (mm).
- Dimensions may vary  $\pm 3/8"$  (10).
- Not for construction purposes unless certified.
- Coupling gap may vary 1/8" (3) to 1" (25)
- Height (AG) and diameter (P) dimensions of motor will vary based on make and style of motor. DIMENSIONS SHOWN REFLECT AURORA STANDARD MOTORS. See individual motor supplier dimensional data sheets for your application.
- Conduit box is shown in approximate location. Dimensions are not specified as they vary for each motor manufacturer.
- Discharge and suction flanges – ANSI Standard flat face.

# AURORA® MODEL 413 PUMPS

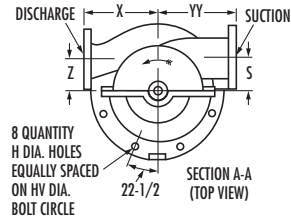
4" THRU 10" PUMPS  
POWER SERIES NO. 4-5-6B

Section **410** Page **207**  
Date **May 2013**

Supersedes Section 410 Page 207  
Dated April 2013



**RIGHT-HAND ROTATION**



**LEFT-HAND ROTATION**

PUMP SIZE											
DISCH	SUCT	CASE BORE	POWER SERIES	BASE	S	W	X	Z	BC	VE	YY
4	6	18	4	2	6-1/4 (159)	16 (406)	14 (356)	6-1/4 (1)	11-3/4 (298)	15 (381)	16 (406)
5	6	11	4	2	5-1/2 (140)	16 (406)	11-1/4 (286)	5-1/2 (140)	8-3/4 (222)	15 (381)	13-1/4 (337)
5	6	15	4	2	6-1/4 (159)	16 (406)	13-1/4 (337)	6-1/4 (159)	10-1/16 (256)	15 (381)	15 (381)
5	6	17	4	2	6-1/4 (159)	16 (406)	14 (356)	6-1/4 (159)	10-1/16 (256)	15 (381)	15 (381)
6	8	11	4	2	6-1/4 (159)	16 (406)	11-3/4 (298)	6-1/4 (159)	9-1/4 (235)	15 (381)	14-1/2 (368)
6	8	11HH	4A	2	8-5/8 (219)	18-1/8 (461)	10 (254)	8-5/8 (219)	9-7/16 (240)	17-1/8 (436)	15 (381)
6	8	14HH	5A	3	7-1/2 (191)	20-7/16 (519)	15 (381)	7-1/2 (191)	10-3/16 (258)	19-7/16 (494)	17 (432)
8	8	11	4	2	6-1/4 (159)	16 (406)	12 (305)	6-1/4 (159)	9-3/4 (248)	15 (381)	14-1/2 (368)
6	8	15	5	3	6-3/4 (171)	18 (457)	14-1/4 (362)	6-3/4 (171)	11-5/16 (287)	17 (432)	16-3/4 (425)
6	8	18	5	3	8 (203)	18 (457)	16 (406)	8 (203)	12-1/2 (318)	17 (432)	18 (457)
6	8	20	5	3	8 (203)	18 (457)	15-3/4 (400)	8 (203)	2-15/16 (75)	17 (432)	18 (457)
8	10	12	5	3	8 (203)	18 (457)	17 (432)	9 (228)	11-9/16 (294)	17 (432)	17-3/4 (451)
8	10	15	5	3	8 (203)	18 (457)	17 (432)	9 (228)	11-13/16 (300)	17 (432)	17-3/4 (451)
8	10	17	5	3	8 (203)	18 (457)	17 (432)	8 (203)	12-3/8 (314)	17 (432)	17-3/4 (451)
10	12	12B	6B	4	12 (305)	21-7/8 (457)	16 (406)	12 (305)	12-1/2 (318)	19 (483)	19 (483)

BASE	1	2	3	4
A	18 (457)	22 (558)	30 (762)	40 (1016)
G	1-3/4 (44)	1-3/4 (44)	2 (51)	2-1/4 (57)
H	3/4 (19)	3/4 (19)	7/8 (22)	7/8 (22)
HV	16-1/4 (413)	20 (508)	28 (711)	38 (965)

	STD. 125# FLANGES	OPT. 250# FLANGES

FRAME	143	145	182	184	213	215	254	256	284	286	324	326	364	365	404	405	444	445
	P	8 (203)	8 (203)	10 (254)	10 (254)	11 (279)	11 (279)	13 (330)	13 (330)	16 (406)	16 (406)	18 (457)	18 (457)	21 (534)	21 (534)	22 (559)	22 (559)	24 (610)
AG	11 (279)	12 (305)	14 (356)	15 (381)	16 (406)	17 (432)	20 (508)	21 (534)	22 (559)	23 (584)	25 (635)	26 (660)	25 (635)	25 (635)	28 (711)	28 (711)	32 (813)	32 (813)
PUMP SIZE		DH																
4 x 6 x 18																		
5 x 6 x 11																		
5 x 6 x 15		35 (889)																
5 x 6 x 17																		
6 x 8 x 11																		
8 x 8 x 11																		
6x8x11HH		41-1/4 (1049)																
6x8x14HH		45-7/8 (1166)																
6 x 8 x 15																		
6 x 8 x 18																		
6 x 8 x 20		NOT AVAILABLE																
8 x 10 x 12		41 (1041)																
8 x 10 x 15																		
8 x 10 x 17																		
10 x 12 x 12B		NOT AVAILABLE																
		46-1/2 (1181)																

**NOTES:**

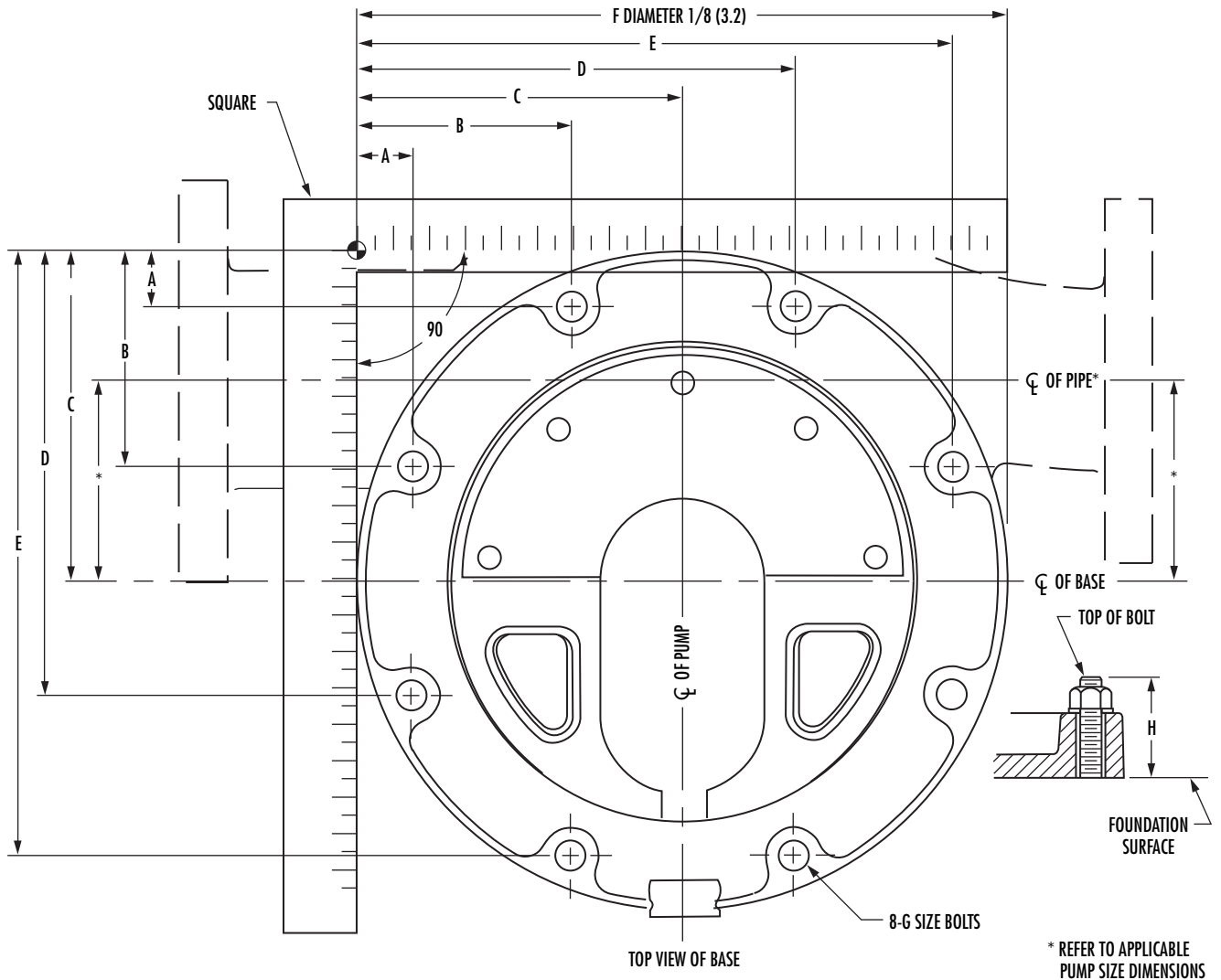
- All dimensions in inches (mm).
- Dimensions may vary  $\pm 3/8"$  (10).
- Not for construction purposes unless certified.
- Coupling gap may vary 1/8" (3) to 1" (25)
- Height (AG) and diameter (P) dimensions of motor will vary based on make and style of motor. DIMENSIONS SHOWN REFLECT AURORA STANDARD MOTORS. See individual motor supplier dimensional data sheets for your application.
- Conduit box is shown in approximate location. Dimensions are not specified as they vary for each motor manufacturer.
- Discharge and suction flanges – ANSI Standard flat face.

# AURORA® MODELS 412 & 413

## BASEPLATE DIMENSIONS

Section **410** Page **209**  
Date **May 2013**

Supersedes Section 410 Page 209  
Dated April 2013



BASE	A	B	C	D	E	F	G	H	FULL SCALE TEMPLATE
1	1-1/2 (38)	5-29/32 (150)	9 (229)	12-1/8 (308)	16-1/2 (419)	18 (457)	5/8 (16)	2-3/4 (70)	294-0579-000
2	1-25/32 (45)	7-3/16 (183)	11 (279)	14-27/32 (377)	20-1/4 (514)	22 (559)	5/8 (16)	2-3/4 (70)	294-0580-000
3	2-1/16 (52)	9-21/32 (245)	15 (381)	20-3/8 (518)	27-15/16 (710)	30 (762)	3/4 (19)	3-1/4 (83)	294-0581-000
4	2-7/16 (62)	12-23/32 (323)	20 (508)	27-9/32 (693)	37-9/16 (954)	40 (1016)	3/4 (19)	3-1/2 (89)	294-0613-000

### NOTES:

1. All dimensions in inches (mm).
2. Dimensions may vary  $\pm 3/8"$  (10).
3. Not for construction purposes unless certified.
4. Discharge and suction flanges – ANSI Standard flat face.