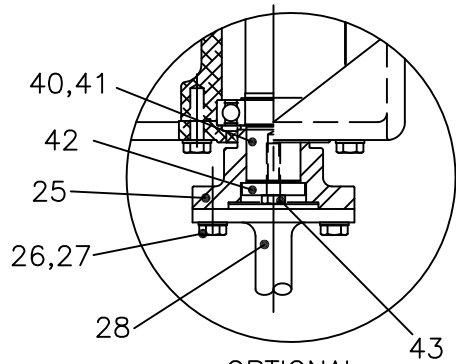


29

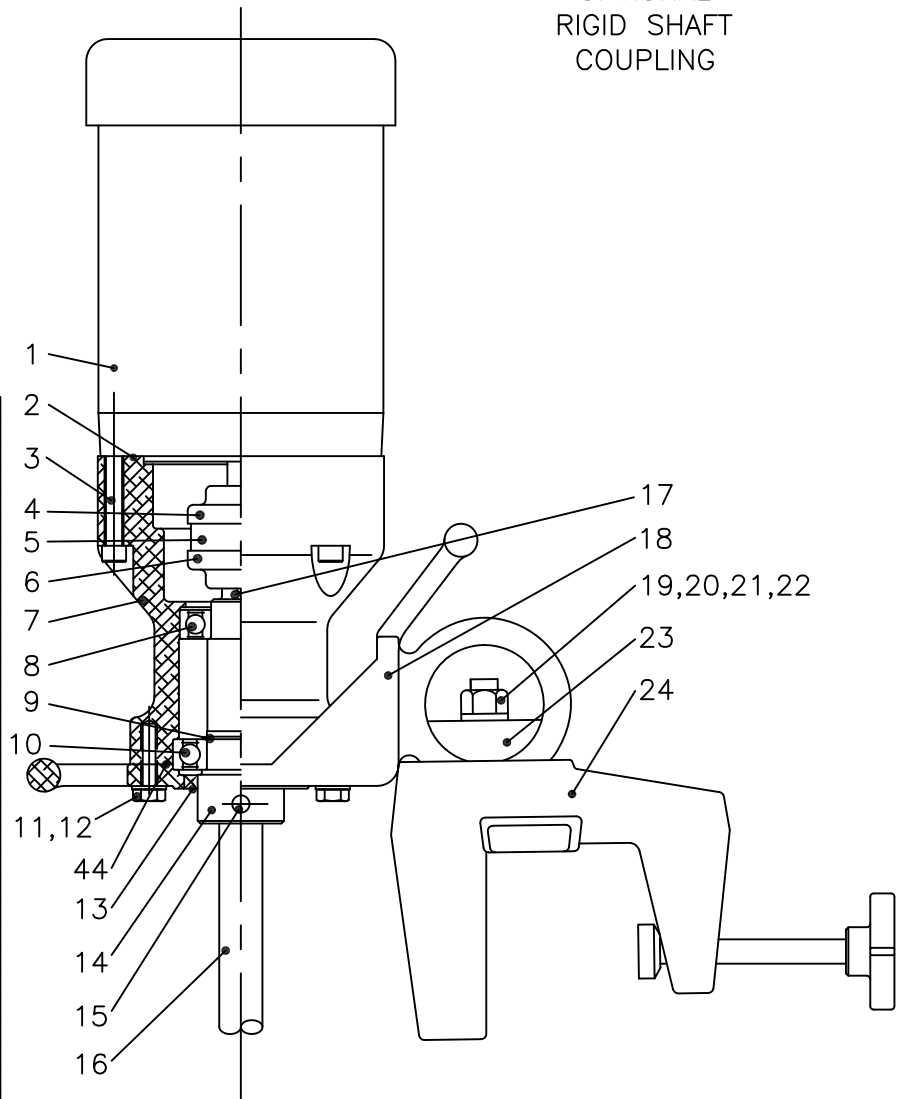


OPTIONAL
CUP PLATE



OPTIONAL
RIGID SHAFT
COUPLING

44	1	O-RING
43	1	HEX HEAD CAP SCREW (OPT.)
42	1	THRUST WASHER (OPT.)
41	1	KEY (OPT.)
40	1	DRIVE SHAFT (OPT.)
29	1	CUP PLATE (OPT.)
28	1	RIGID FLANGE SHAFT (OPT.)
27	4	LOCK WASHER
26	4	HEX HEAD CAP SCREW
25	1	RIGID FLANGE COUPLING (OPT.)
24	1	CLAMP ASSEMBLY
23	1	SHOE
22	1	FLAT WASHER
21	1	LOCK WASHER
20	1	NUT
19	1	BOLT
18	1	BALL MOUNT
17	1	KEY
16	1	MIXER SHAFT
15	2	SET SCREW
14	1	CHUCK SHAFT
13	1	OIL SEAL
12	6	LOCK WASHER
11	6	HEX HEAD CAP SCREW
10	1	BALL BEARING
9	1	SNAP RING
8	1	BALL BEARING
7	1	HOUSING
6	1	COUPLING HUB
5	1	SLEEVE
4	1	COUPLING HUB
3	4	SOCKET HEAD CAP SCREW
2	1	O-RING
1	1	MOTOR



ITEM NO.	QTY.	PART NAME
----------	------	-----------

FOR REFERENCE ONLY

* ALL DIMENSIONS AND WEIGHTS ARE FOR REFERENCE ONLY UNLESS THE DRAWING IS CERTIFIED.
 * ALL EQUIPMENT DESIGN AND APPLICATION DATA SHOWN HEREIN IS CONFIDENTIAL AND THE PROPERTY OF BRAWN MIXER. NO USE OR DISCLOSURE THEREOF MAY BE MADE WITHOUT OUR WRITTEN PERMISSION.

BRAWN MIXER
AN INCH COMPANY

12838 STAINLESS DRIVE
HOLLAND, MI. 49424
PH. 616-399-5600
FAX 616-399-3084

**MIXER MODEL
BS33 THRU 500
DIRECT DRIVE
DIMENSION AND ASSEMBLY DRAWING**

DWG. NO. **A- TK0031** REV. **A**

DRAWN BY: BSB	DATE: 10-26-95	© 2018
APPROVED BY:	DATE:	