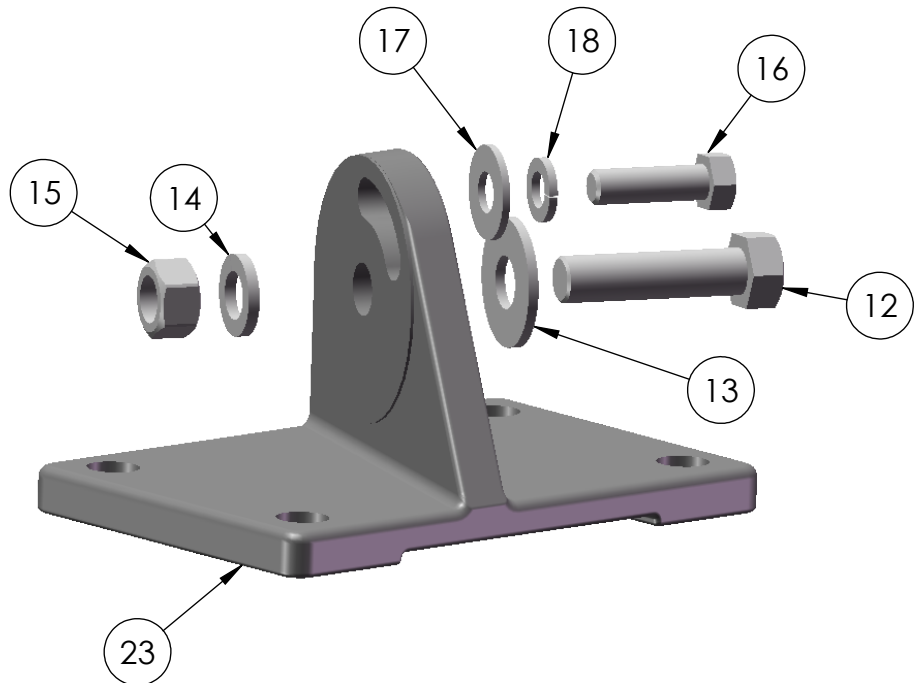
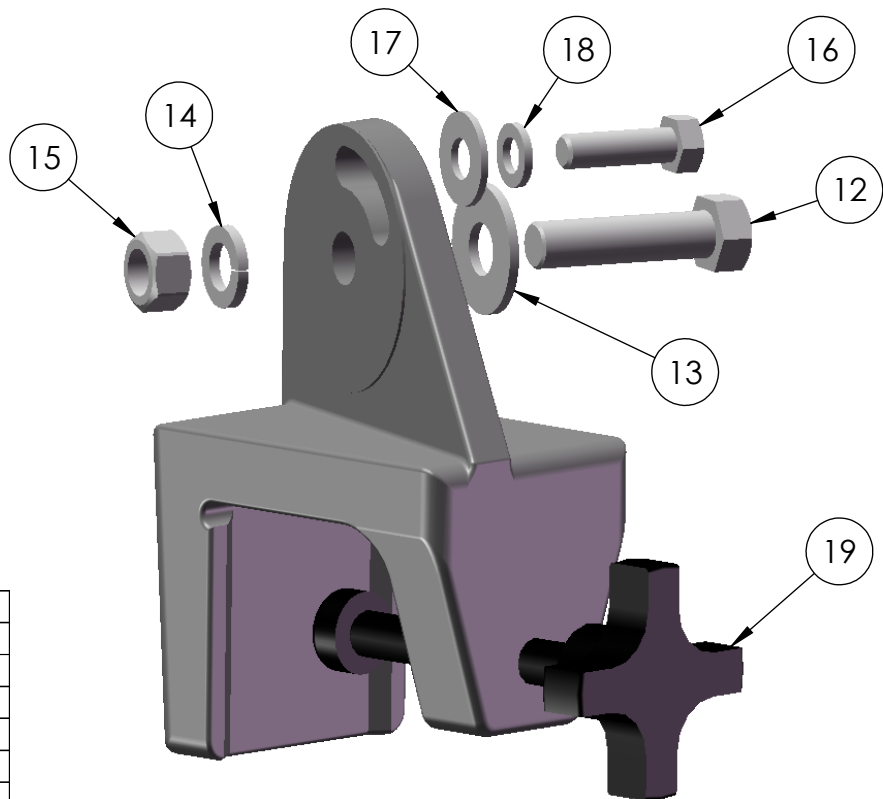


BEAM PLATE MOUNT



23	1	BEAM MOUNTING PLATE
18	1	LOCK WASHER
17	1	FLAT WASHER
16	1	HEX HEAD CAP SCREW
15	1	HEX NUT
14	1	LOCK WASHER
13	1	FLAT WASHER
12	1	HEX HEAD CAP SCREW
NO.	QTY	PART NAME

CLAMP MOUNT



19	1	CLAMP ASSEMBLY
18	1	LOCK WASHER
17	1	FLAT WASHER
16	1	HEX HEAD CAP SCREW
15	1	HEX NUT
14	1	LOCK WASHER
13	1	FLAT WASHER
12	1	HEX HEAD CAP SCREW
NO.	QTY	PART NAME

* ALL DIMENSIONS AND WEIGHTS ARE FOR REFERENCE ONLY UNLESS THE DRAWING IS CERTIFIED.

* ALL EQUIPMENT DESIGN AND APPLICATION DATA SHOWN HEREIN IS CONFIDENTIAL AND THE PROPERTY OF BRAUN MIXER. NO USE OR DISCLOSURE THEREOF MAY BE MADE WITHOUT OUR WRITTEN PERMISSION.



12838 Stainless Drive
Holland, MI 49424

PH: 616-399-5600
FAX: 616-399-3084

MIXER MODEL LD/SD/MD CLAMP ASSY

DIMENSION AND ASSEMBLY DRAWING

DRAWN BY:BSB DATE: 8/31/2018 © 2018

APPROVED BY: DATE:

DWG. NO. **A- TK0167**

REV.