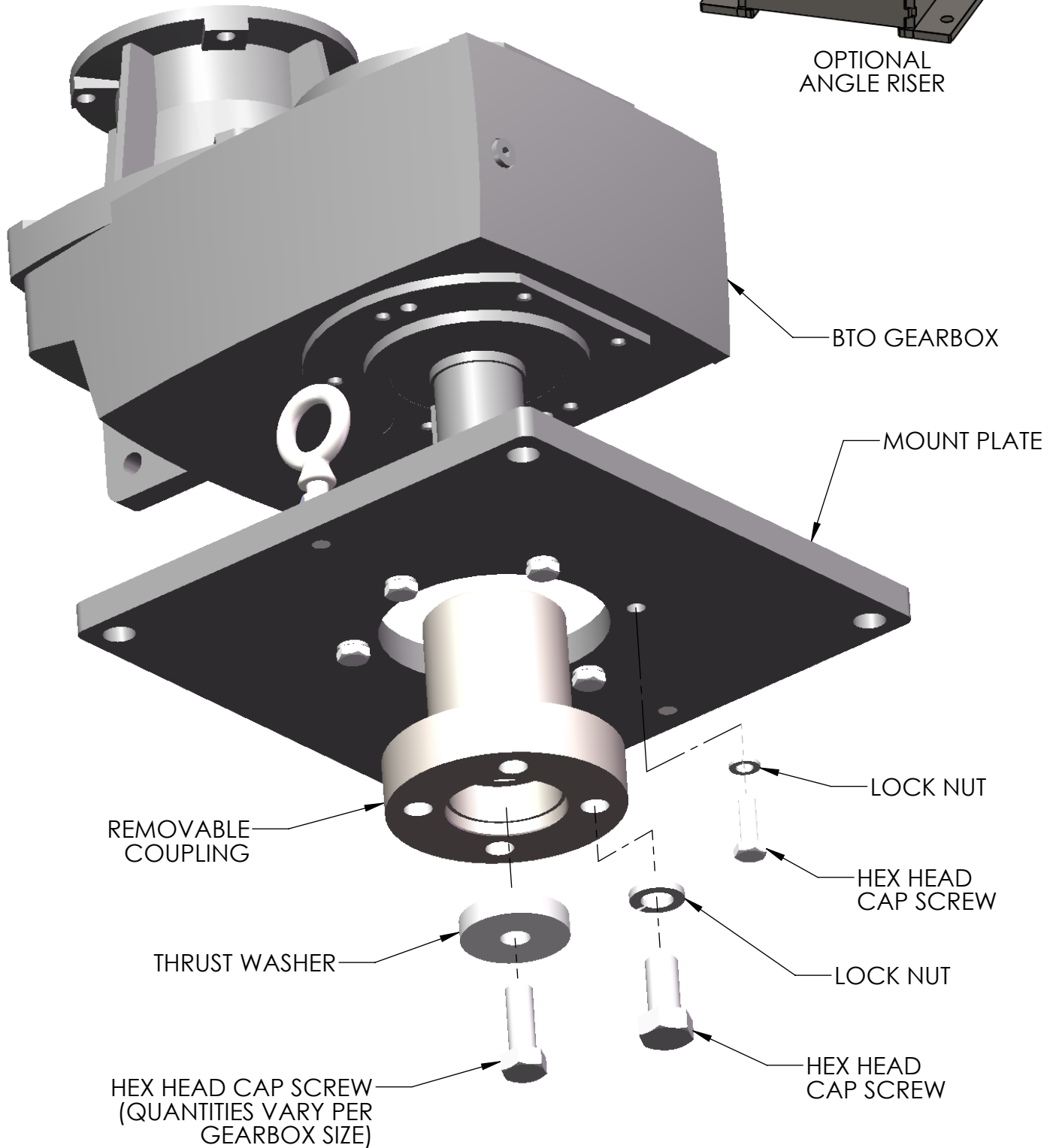


OPTIONAL
ANGLE RISER



BTO GEARBOX

MOUNT PLATE

REMOVABLE
COUPLING

THRUST WASHER

HEX HEAD CAP SCREW
(QUANTITIES VARY PER
GEARBOX SIZE)

LOCK NUT

HEX HEAD
CAP SCREW

LOCK NUT

HEX HEAD
CAP SCREW

* ALL DIMENSIONS AND WEIGHTS ARE FOR REFERENCE ONLY
UNLESS THE DRAWING IS CERTIFIED.

* ALL EQUIPMENT DESIGN AND APPLICATION DATA SHOWN
HEREIN IS CONFIDENTIAL AND THE PROPERTY OF BRAUN MIXER.
NO USE OR DISCLOSURE THEREOF MAY BE MADE WITHOUT OUR
WRITTEN PERMISSION.



12838 Stainless Drive
Holland, MI 49424
PH: 616-399-5600
FAX: 616-399-3084

MIXER MODEL
BTO COUPLING PARTS

DIMENSION AND ASSEMBLY DRAWING

DRAWN BY: BSB	DATE: 10/17/2018	© 2018
APPROVED BY:	DATE:	

DWG. NO. A- TK0182	REV.
---------------------------	------