

ROTO-JET® PUMP

High Pressure Pitot Tube Pumps



Model RD11

High Pressure Multi-Stage Performance with the Cost Advantage, Simplicity and Reliability of a Single-Stage Pump

Benefits of the Roto-Jet RD11 Pump

Lower Cost

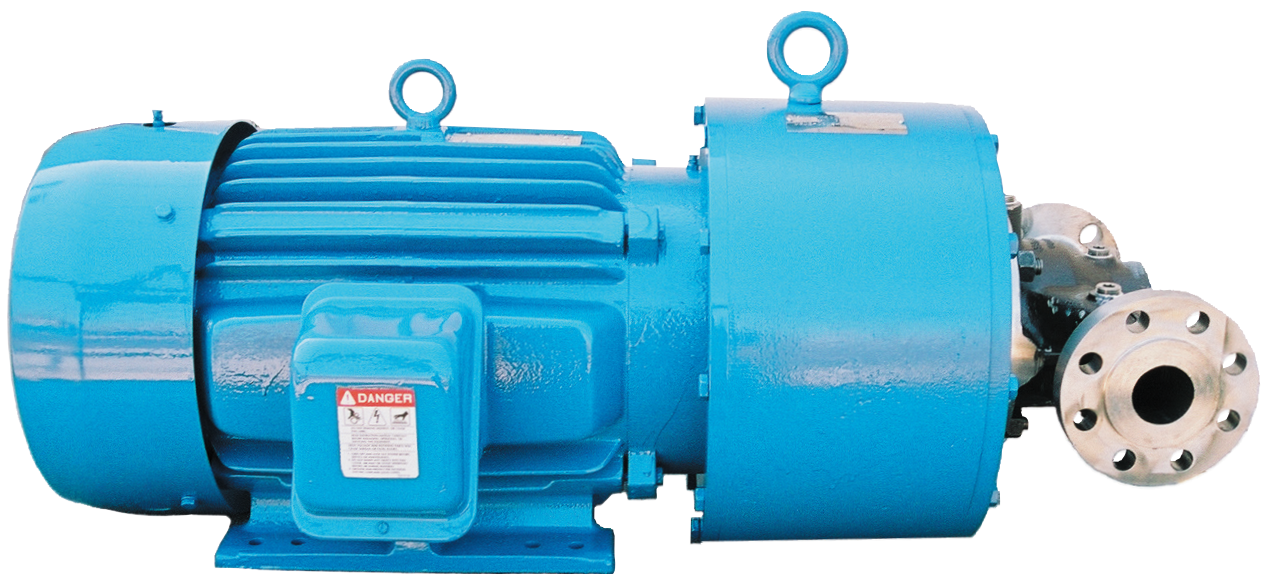
- Lower installed cost: Compact design eliminates installation issues
- Efficient operation: Excellent energy saving efficiencies
- Low maintenance cost: Fewer components means less maintenance

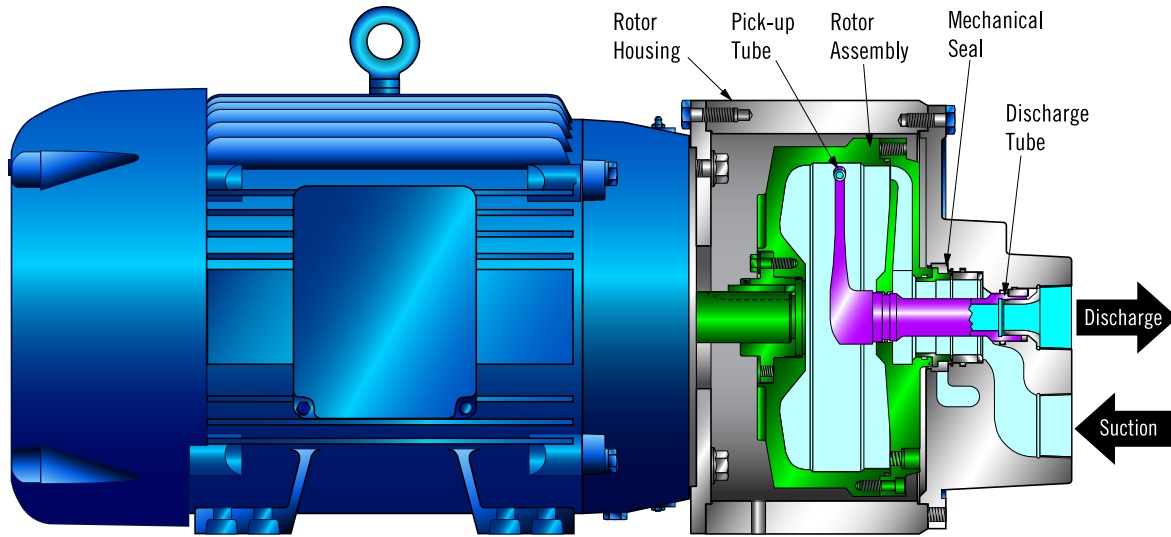
Improved Performance

- Broad range of speed, flow, and pressure capability
- Hydraulically stable along the entire performance curve and beyond BEP
- Adjustable to changing system flow conditions—flexible application

Enhanced Reliability

- Fewer components to fail: No pump bearings, belts, couplings, or gears
- Seal designed for low pressure: Improves overall seal life
- No coupling: Eliminates coupling alignment and related failures





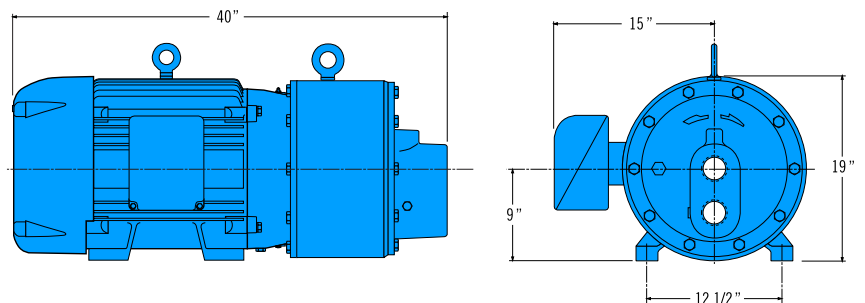
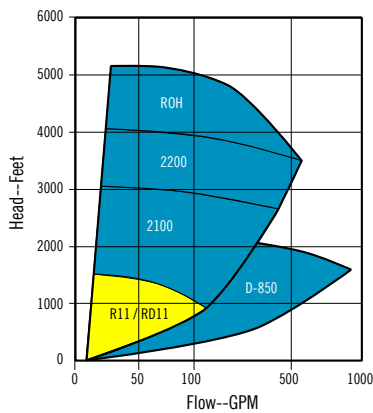
NOTE: Available with flanged connections

Typical Roto-Jet RD11 Applications

- Food and beverage cleaning systems
- Reverse osmosis systems
- Boiler feed / cleaning systems
- High-pressure paper shower
- Circuit board wash systems
- Water / process injection systems
- Seal flushing systems
- Desuperheating / condensate return
- Many more applications

Specifications		
Maximum temperature	180° F	82° C
Maximum temperature (with flush)	250° F	121° C
Maximum suction pressure	200 PSI	14 BAR
Maximum head	1500 Ft.	457 m
Maximum speed*	4858 RPM	4858 RPM
Maximum flow	150 GPM	34 m ³ /hr
Maximum horsepower	75 HP	55 KW
Maximum weight	973 lbs.	441 kg
Materials of Construction		
	Standard	Stainless Steel
Rotor	Ductile Iron	316 St. Steel
Rotor cover	Ductile Iron	316 St. Steel
Manifold	Ductile Iron	316 St. Steel
Endbell	Ductile Iron	316 St. Steel
Pickup tube	17-4 PH	17-4 PH

*With VFD operation



Dimensions are for general reference only and will vary with actual model selected.
Available with flanged connections

Trillium Pumps USA SLC

440 West 800 South
Salt Lake City, UT 84101
USA

Tel: 801 359 8731
Fax: 801 530 7828
email: rotojet@weirsp.com
www.trilliumflow.com

