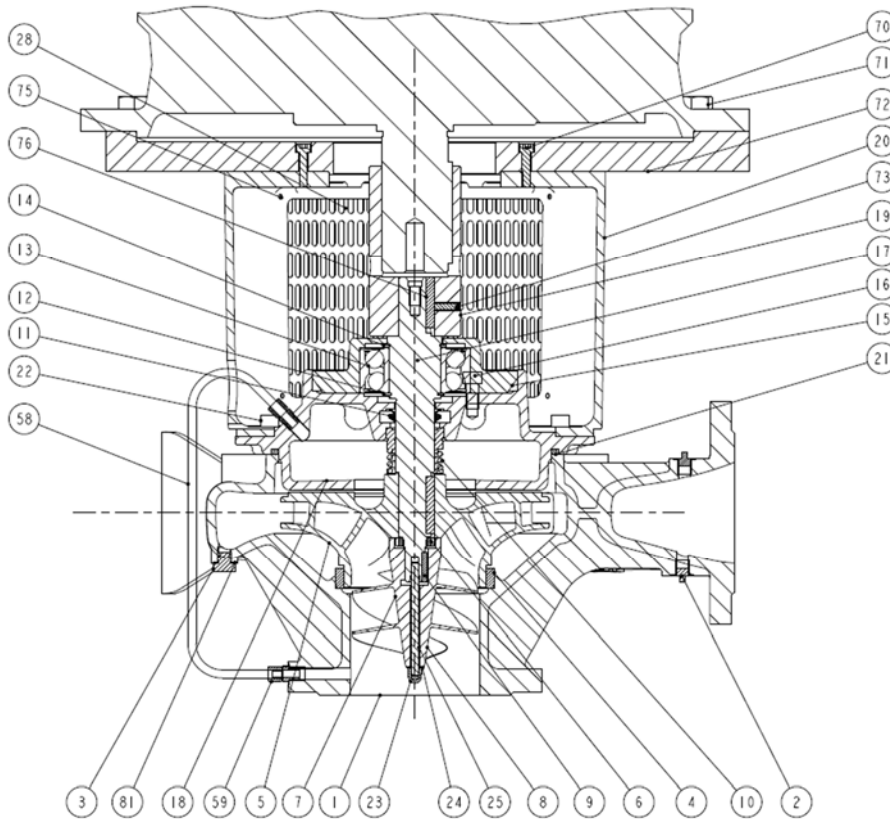


23. ASSEMBLY DRAWING NSLV100-265/-02 WITH INDUCER.

24. SPARE PARTS LIST NSLV100-265/-02 WITH INDUCER.



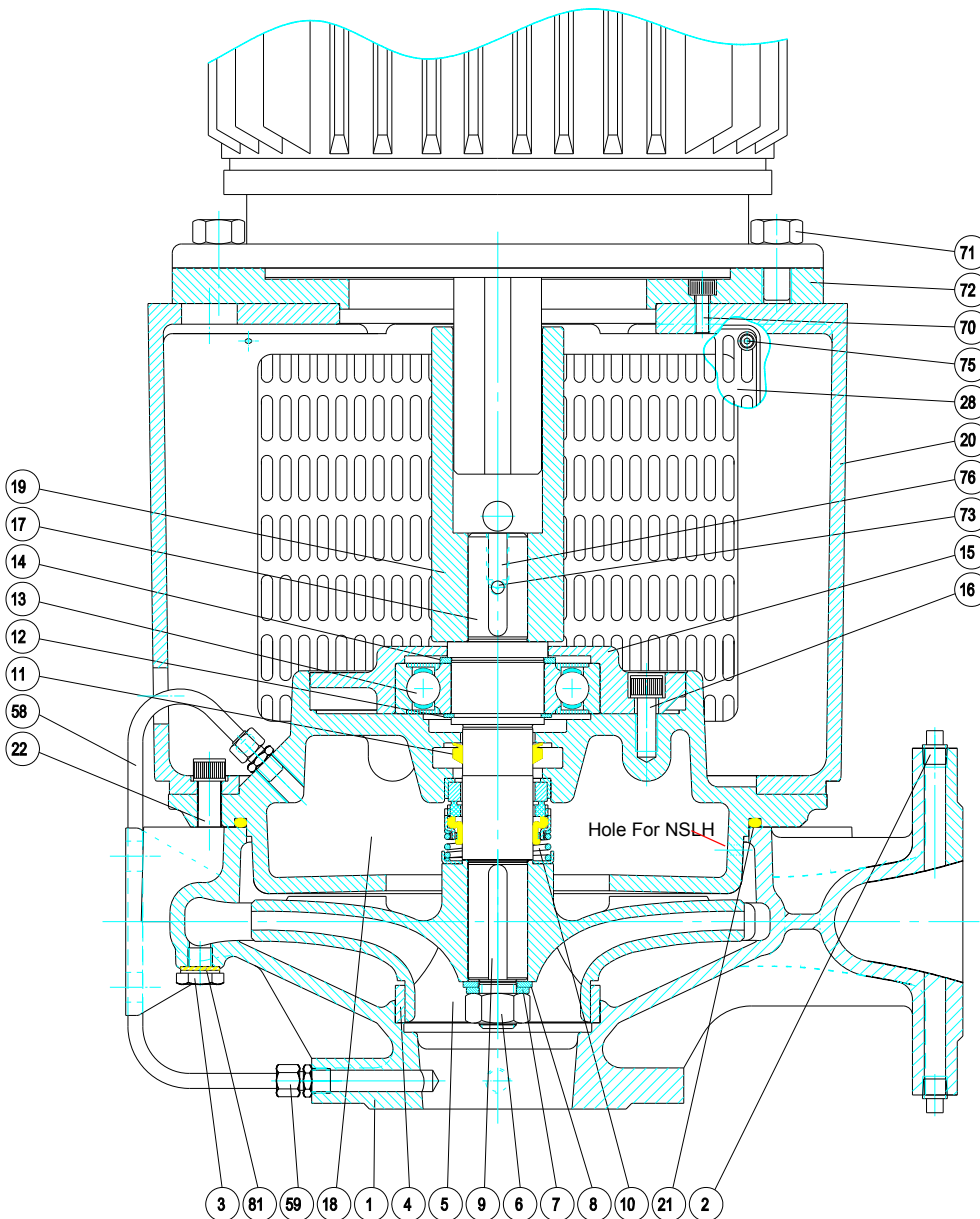
- | | |
|----|------------------------|
| 1 | Pump casing |
| 2 | Pipe plug |
| 3 | Pipe plug |
| 4 | Sealing ring |
| 5 | Impeller |
| 6 | Small round nut |
| 7 | Inducer |
| 8 | Key |
| 9 | Sunk key |
| 10 | Mech. shaft seal |
| 11 | Water deflector |
| 12 | Ring lock |
| 13 | Ball bearing |
| 14 | Grease valve ring* |
| 15 | Bearing cover |
| 16 | Set screw |
| 17 | Shaft |
| 18 | Rear cover |
| 19 | Coupling |
| 20 | Motor bracket |
| 21 | O-ring |
| 22 | Set screw |
| 23 | Cap nut |
| 24 | Spring washer |
| 25 | Stud |
| 28 | Guard |
| 58 | Copper pipe (For NSLV) |
| 59 | Hexagon nipple |
| 70 | Allen screw |
| 71 | Set screw |
| 72 | Intermediate flange |
| 73 | Pointed screw |
| 75 | INSEX-screw |
| 76 | Sunk key |
| 81 | Sealing washer |

25. DIMENSIONAL SKETCH

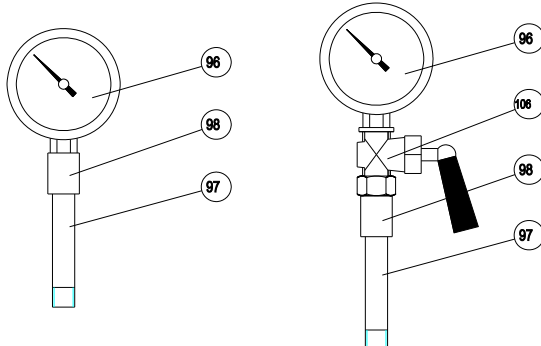
Please require a dimensional sketch of the actual pump from DESMI.

15. ASSEMBLY DRAWING $\varnothing 215/265$ 02-COMB

16. SPARE PARTS LIST $\varnothing 215/265$

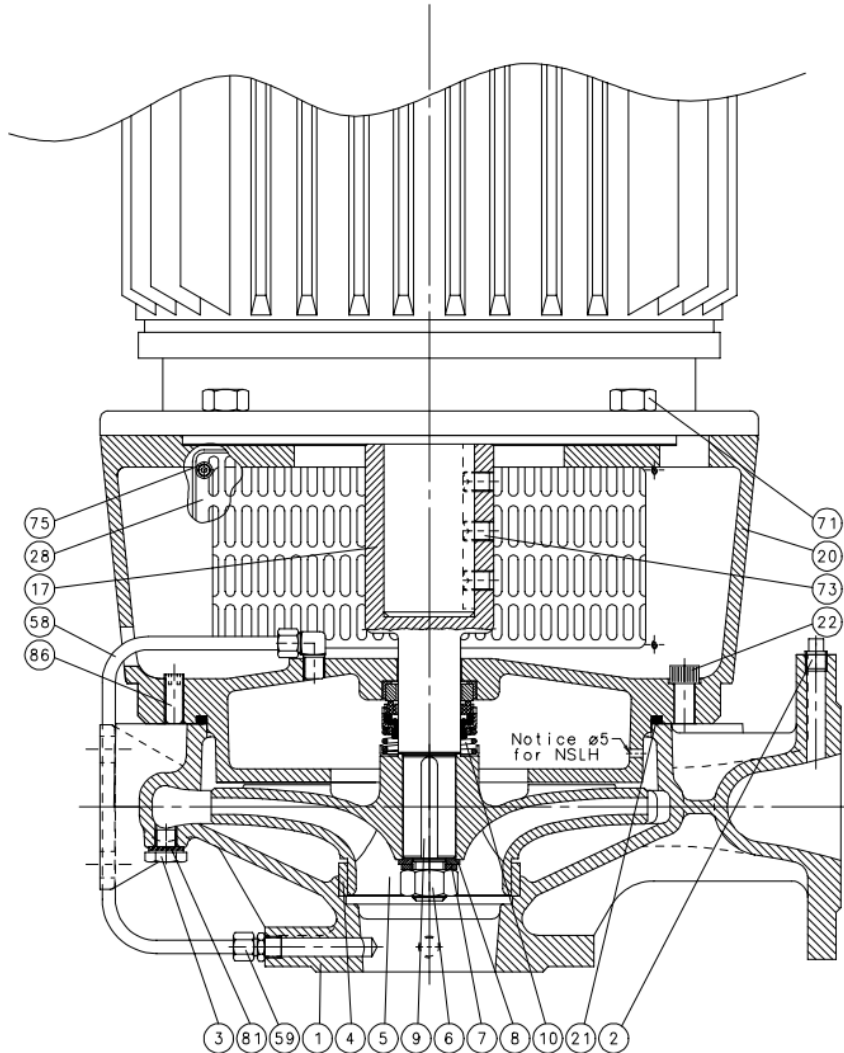


- 1 Pump casing
- 2 Pipe plug
- 3 Pipe plug
- 4 Sealing ring
- 5 Impeller
- 6 Nut
- 7 Spring collar
- 8 Washer
- 9 Sunk key
- 10 Shaft seal
- 11 Water deflector
- 12 Ring lock
- 13 Ball bearing
- 14 Support disc
- 15 Bearing cover
- 16 Allen screw
- 17 Shaft
- 18 Shaft seal cover
- 19 Coupling
- 20 Motor bracket
- 21 O-ring
- 22 Allen screw
- 28 Guard
- 58 Copper pipe (For NSLV)
- 59 Hexagon nipple
- 70 Allen screw
- 71 Set screw
- 72 Intermediate flange
- 73 Pointed screw
- 75 INSEX-screw
- 76 Sunk key
- 81 Sealing washer
- 96 Manometer
- 97 Nipple
- 98 Sleeve
- 106 Valve (optional)



19. ASSEMBLY DRAWING $\varnothing 215/265$ 12-COMB.

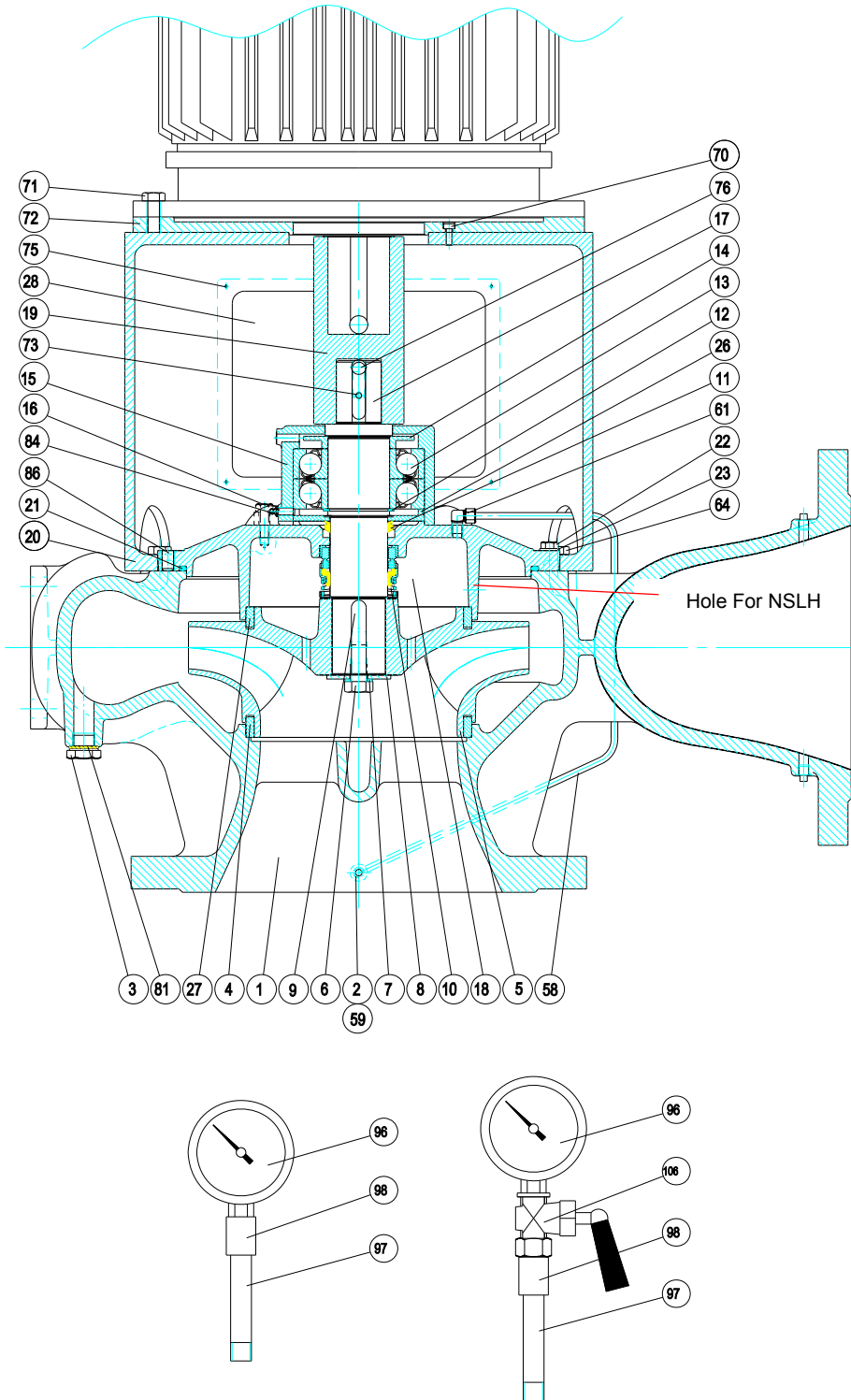
20. SPARE PARTS LIST $\varnothing 215/265$ 12-COMB.



- 1 Pump casing
- 2 Pipe plug
- 3 Pipe plug
- 4 Sealing ring
- 5 Impeller
- 6 Nut
- 7 Spring collar
- 8 Washer
- 9 Sunk key
- 10 Mech. shaft seal
- 17 Shaft
- 20 Motor bracket
- 21 O-ring
- 22 Allen screw
- 28 Guard
- 58 Copper pipe (for NSLV)
- 59 Hexagon nipple
- 71 Set screw
- 73 Pointed screw
- 75 INSEX-screw
- 81 Sealing washer

17. ASSEMBLY DRAWING $\varnothing 330/415/525$ 02-COMB

18. SPARE PARTS LIST $\varnothing 330/415$ WITH HEAVY BEARING HOUSING

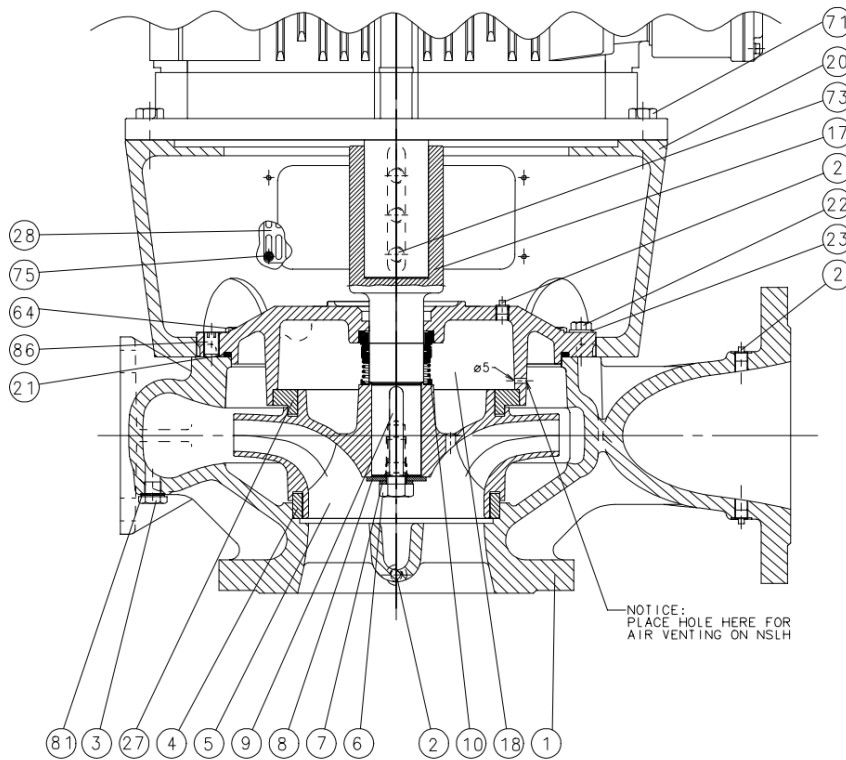


- 1 Pump casing
- 2 Pipe plug
- 3 Pipe plug
- 4 Sealing ring
- 5 Impeller
- 6 Set screw
- 7 Spring collar
- 8 Washer
- 9 Sunk key
- 10 Mech. shaft seal
- 11 Water deflector
- 12 Ring lock
- 13 Ball bearing
- 14 Grease valve ring*
- 15 Bearing cover
- 16 Set screw
- 17 Shaft
- 18 Shaft seal cover
- 19 Coupling
- 20 Motor bracket
- 21 O-ring
- 22 Set screw
- 23 Lock washer
- 26 Cover under bearing
- 27 Sealing ring 2
- 28 Guard
- 58 Copper pipe(For NSLV)
- 59 Hexagon nipple
- 61 Hexagon nipple
- 64 Set screw
- 70 Allen screw
- 71 Set screw
- 72 Intermediate flange
- 73 Pointed screw
- 75 INSEX-screw
- 76 Sunk key
- 81 Sealing washer
- 84 Lubricator nipple
- 86 Pointed screw
- 96 Manometer
- 97 Nipple
- 98 Sleeve
- 106 Valve (optional)

It is better to replacement motor in vertical direction for big motor in order to mount motor easy and ensure better alignment.

21. ASSEMBLY DRAWING \varnothing 330/415/525 12-COMB.

22. SPARE PARTS LIST \varnothing 330/415/525 12-COMB.



- 1 Pump casing
- 2 Pipe plug
- 3 Pipe plug
- 4 Sealing ring
- 5 Impeller
- 6 Set screw
- 7 Spring collar
- 8 Washer
- 9 Sunk key
- 10 Mech. shaft seal
- 17 Shaft
- 18 Rear cover
- 20 Motor bracket
- 21 O-ring
- 22 Allen screw
- 28 Guard
- 64 Set screw
- 71 Set screw
- 73 Pointed screw
- 75 INSEX-screw
- 81 Sealing washer
- 86 Pointed screw