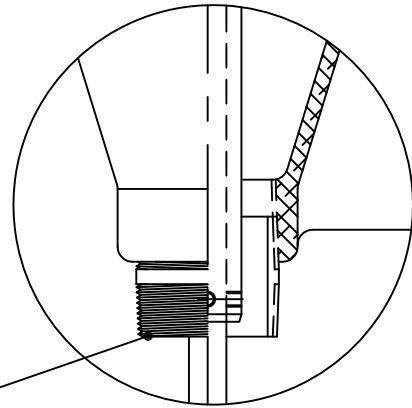
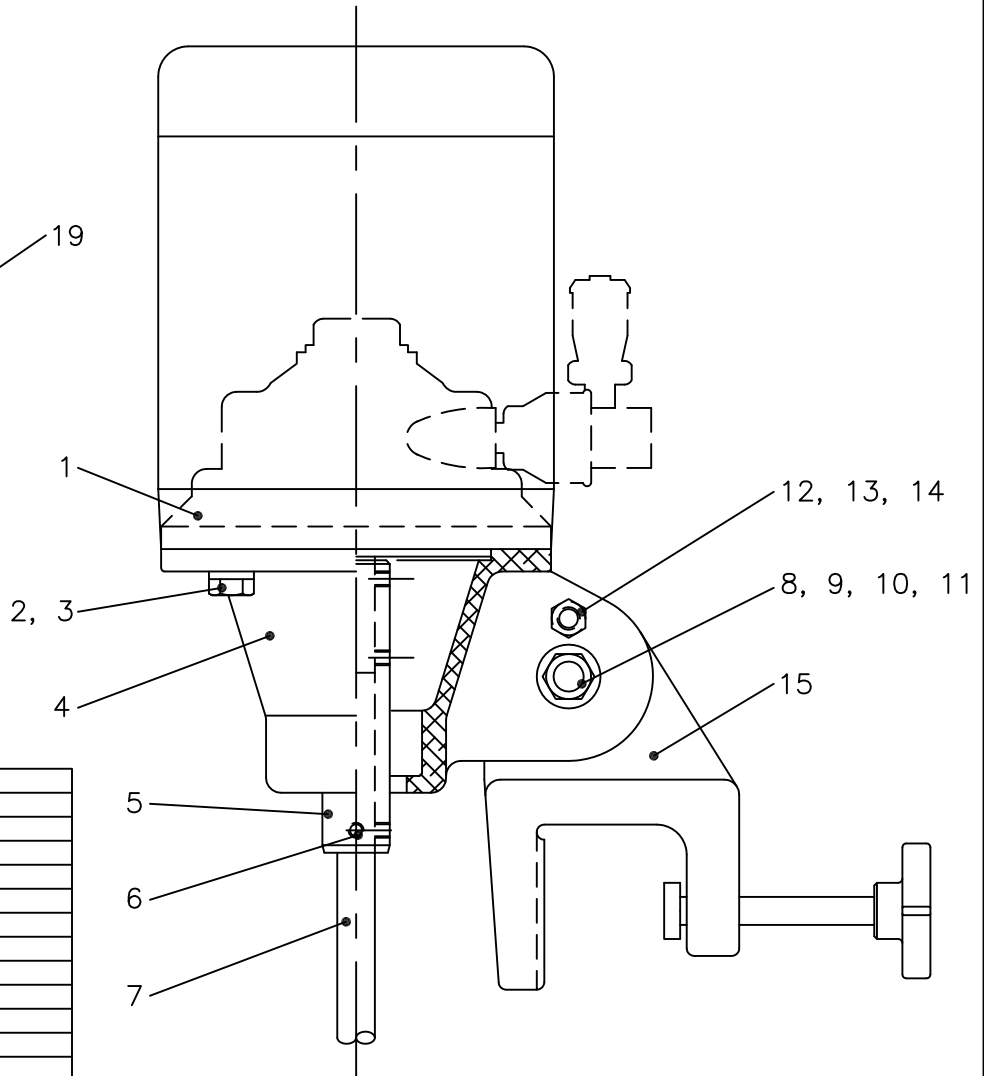


OPTIONAL MOUNTING PLATE



20

OPTIONAL 2" NPT DRUM ADAPTER



20	1	DRUM ADAPTER
19	1	MOUNTING PLATE
15	1	CLAMP ASSEMBLY
14	1	LOCK WASHER
13	1	FLAT WASHER
12	1	HEX HEAD CAP SCREW
11	1	HEX NUT
10	1	LOCK WASHER
9	2	FLAT WASHER
8	1	HEX HEAD CAP SCREW
7	1	MIXER SHAFT
6	4	SET SCREW
5	1	CHUCK SHAFT
4	1	HOUSING
3	4	LOCK WASHER
2	4	HEX HEAD CAP SCREW
1	1	MOTOR

ITEM NO.	QTY.	PART NAME
----------	------	-----------

FOR REFERENCE ONLY

* ALL DIMENSIONS AND WEIGHTS ARE FOR REFERENCE ONLY UNLESS THE DRAWING IS CERTIFIED.
 * ALL EQUIPMENT DESIGN AND APPLICATION DATA SHOWN HEREIN IS CONFIDENTIAL AND THE PROPERTY OF BRAUN MIXER. NO USE OR DISCLOSURE THEREOF MAY BE MADE WITHOUT OUR WRITTEN PERMISSION.



12838 STAINLESS DRIVE
 HOLLAND, MI. 49424
 PH. 616-399-5600
 FAX 616-399-3084

MIXER MODEL
 LD25/33

DIMENSION AND ASSEMBLY DRAWING

DRAWN BY: CMW DATE: 8-1-94 © 2018

APPROVED BY: DATE:

DWG. NO. A- TK0034

REV. A