

Series A Muncher



Series A Muncher

A high torque, low speed grinder for open channel and wet well installations suitable for the efficient disintegration of solids within a flow.

Features & Benefits

Equal Thrust Offset (ETOS) Cutters

Capture and reduce large solids and the effective maceration of wet wipes and other fibrous materials.

Capacity Slow Operational Speeds

Lower cutter tip speeds dramatically reduce wear rates. The downtime for cutter replacement is reduced resulting in lower maintenance costs. Slow speeds also ensure low noise and vibration.

Flexible Design

Munchers can be configured for channel, wet well, and pipeline installations. Multiple drive options are available including hydraulic or submersible motors.

Lower Power Consumption

Cost savings especially when compared to high speed macerators.

Simple Construction

- Minimal attention and maintenance
- Ease of servicing - no special tools or fitting skills required
- Reduction in downtime

Built-in Overload Protection

Prevents serious damage to the Muncher, saving on costly downtime.

Standardization

Interchangeability of components. One set of spares required for all machines. Reduced level of parts inventory. Dimensionally compatible with competitive manufacturers.

Individual Cutting Elements

Cost reduction by having to replace only worn cutting elements.

Ease of Installation

No complex civil foundation work required can be installed into existing channel.

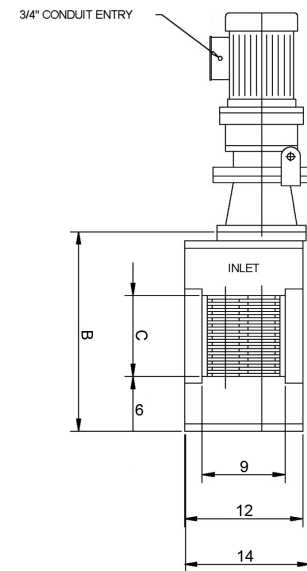
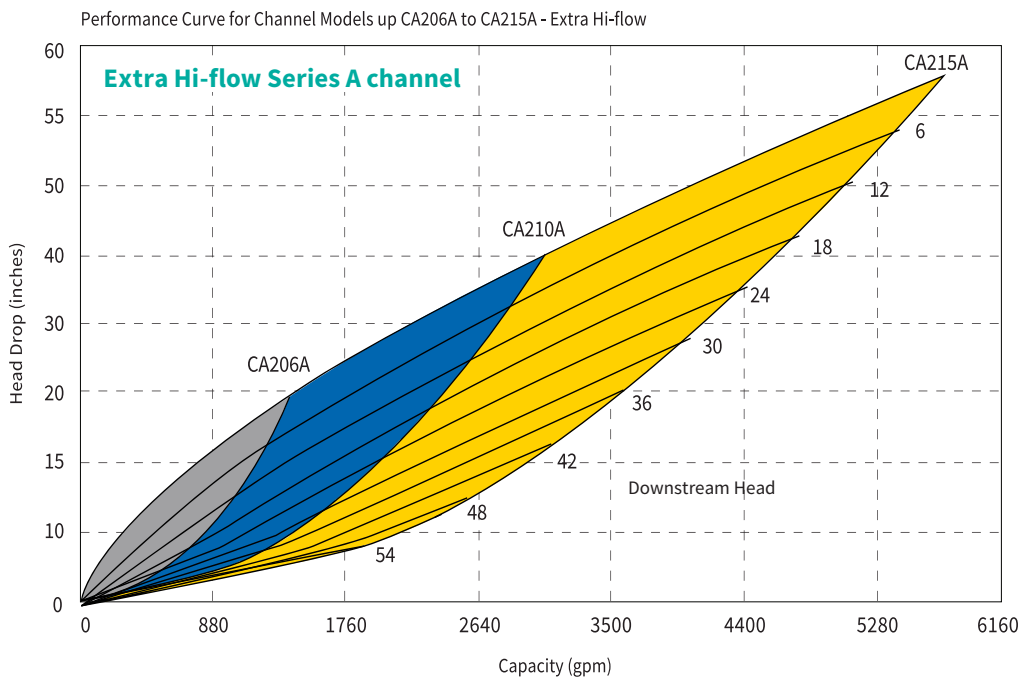
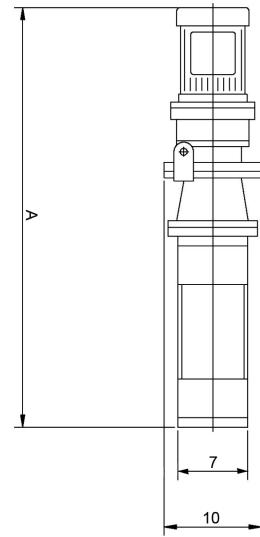
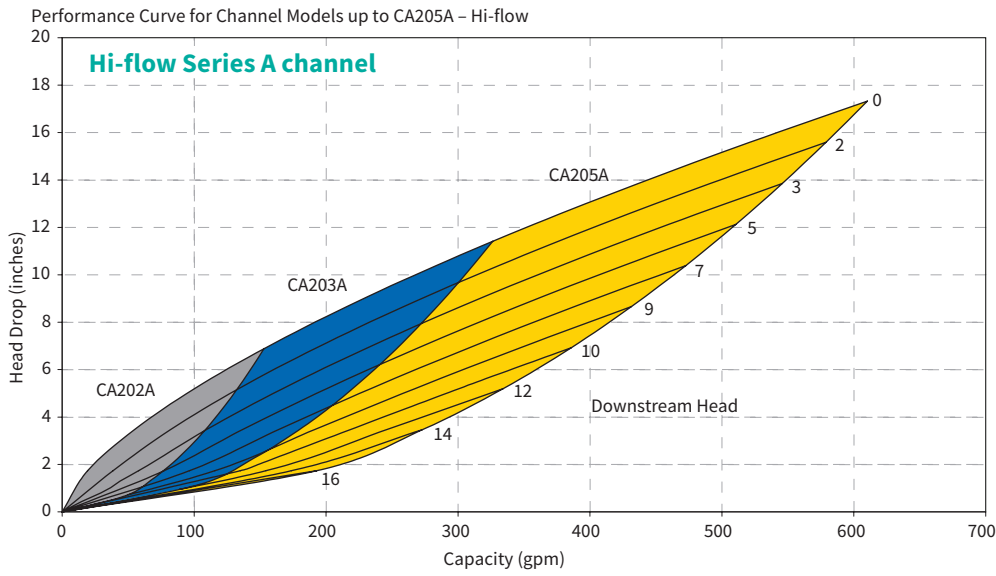
Applications

- Screenings maceration
- Headworks maceration
- Industrial effluent conditioning
- Bio-degradable waste maceration for recycling processing
- Submersible pump protection
- Pump protection for sewage or sludge pumping

Capacity

- Up to 5,315 gal/min

Series A Muncher



Model	A	B	C
CA202	49.5	20.3	6.9
CA203	54.0	24.8	11.4
CA205	59.9	30.7	17.3
CA206	65.6	36.4	23.0
CA210	82.0	52.7	39.4
CA215	102	72.8	59.5

All dimensions are in inches and for guidance only. For more information about the Series A Muncher, contact NOV.

National Oilwell Varco has produced this brochure for general information only, and it is not intended for design purposes. Although every effort has been made to maintain the accuracy and reliability of its contents, National Oilwell Varco in no way assumes responsibility for liability for any loss, damage or injury resulting from the use of information and data herein. All applications for the material described are at the user's risk and are the user's responsibility.

Corporate Headquarters
7909 Parkwood Circle Drive
Houston, Texas 77036
USA

Process and Flow Technologies
10353 Richmond Avenue
Houston, TX 77042
USA

© 2017 National Oilwell Varco - All rights reserved
CMKT-1425_ENG_v01



industrial@nov.com

nov.com/industrial