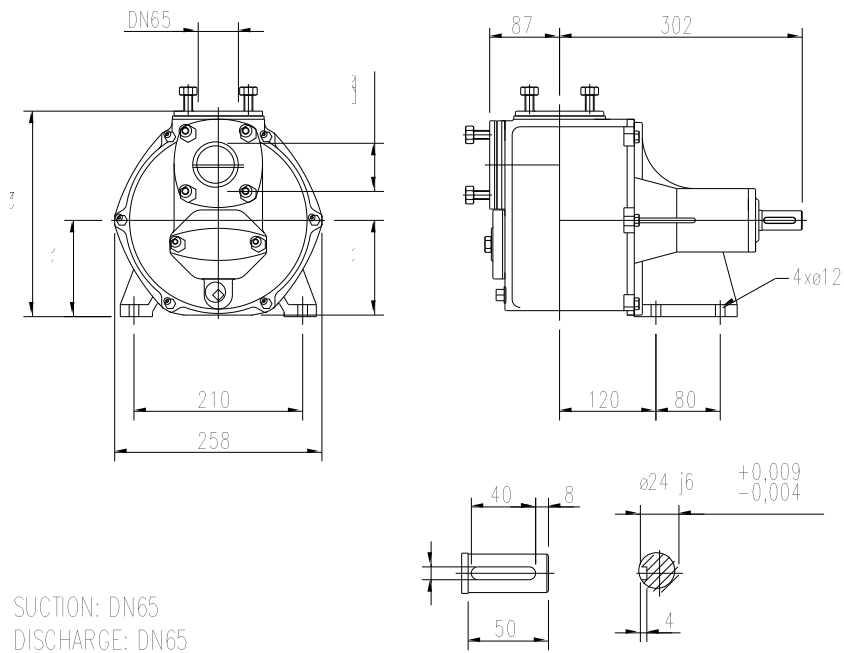


17. DIMENSIONAL SKETCH



SUCTION: DN65
DISCHARGE: DN65