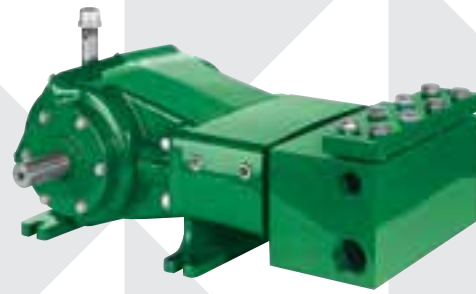


# MYERS® CPM SERIES High Pressure Reciprocating Plunger Pump



Over a century of experience has proven that Pentair's line of Myers® reciprocating pumps are designed and built with performance you can rely on. Our CPM Series high pressure reciprocating pumps combine manufacturing expertise and application understanding for a pump that is perfect for a variety of high pressure jobs.

POWER END	
Crankcase	Cast Iron, CL30
Crankshaft	4140 Heat Treated Forging
Link	Ductile Iron, ASTM A536
Crosshead	Ductile Iron, ASTM A536
Pony Rod	303 SST
Wrist Pin	CDS C1018 Carburize and Hardened
Crankshaft Main Bearing	Tapered Roller
Crankshaft Journal Bearing	Steel/Babbitt Inserts
Wrist Pin Bearing	Bronze Bushing
Bearing Cap	Cast Iron, CL30
Crankcase Cover	Cast Iron, CL30
Drain Plug	Magnetic

FLUID END	STEEL	316 SST
Body Fluid End	CDS 1211	316 SST
Valve Cap	CDS 1211	316 SST
Valve	Acetal	Acetal
Valve Seat	303 SST	316 SST
Valve Spring	316 SST	316 SST
Plunger	Tech 23	Tech 23
Plunger Packing	Nitrile & Aramid Fiber	Nitrile & Aramid Fiber

PRODUCT CAPABILITIES, SPECIFICATIONS						
Temp. Rating °F (°C)	SIZE IN INCHES (mm)					Approx. Wgt. lbs. (kg)
	Piston Stroke	Suction Size NPT	Discharge Size NPT	Input Shaft	Keyway	
180 (82)	1 3/4 (44.5)	1 1/2 (38.1)	1 (25.4)	1 3/8 (34.9)	5/16 X 5/32 (7.9 X 3.9)	278 (126)

## Horsepower Performance Data

CPM24-30								
GPM	RPM	250 psi	500 psi	1000 psi	1500 psi	2000 psi	2500 psi	3000 psi
14	350	2.4	4.8	9.6	14.4	19.2	24.0	28.8
16	400	2.7	5.5	11.0	16.5	22.0	27.5	32.9
18	450	3.1	6.2	12.4	18.5	24.7	30.1	37.1
20	500	3.4	6.9	13.7	20.6	27.5	34.3	41.2
22	550	3.8	7.5	15.1	22.6	30.2	37.7	45.3
24	600	4.1	8.2	16.5	24.7	32.9	41.2	49.4

CPM18-40								
GPM	RPM	1200 psi	1600 psi	2000 psi	2800 psi	3200 psi	3600 psi	4000 psi
10	363	8	11	14	19	22	25	28
13	483	11	15	18	26	29	33	37
17	604	14	18	23	32	37	41	46
20	725	17	22	28	39	44	50	55

## Kilowatt Performance Data

CPM24-30								
LPM	RPM	17.2 bar	34.5 bar	68.9 bar	103.4 bar	137.9 bar	172.4 bar	206.8 bar
53	350	1.8	3.6	7.2	10.7	14.3	17.9	21.5
61	400	2.0	4.1	8.2	12.3	16.0	20.5	24.5
68	450	2.3	4.6	9.2	13.8	18.4	22.4	27.7
76	500	2.5	5.1	10.2	15.4	20.5	25.6	30.7
83	550	2.8	5.6	11.3	16.9	22.5	28.1	33.8
91	600	3.1	6.1	12.3	18.4	24.5	30.7	36.8

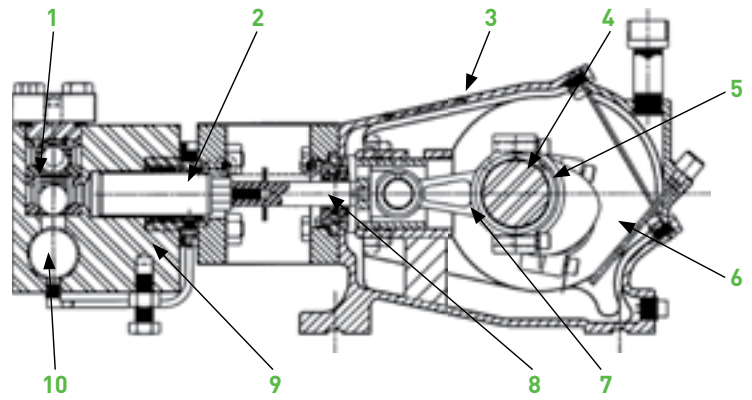
CPM18-40								
LPM	RPM	83 bar	110 bar	138 bar	193 bar	221 bar	248 bar	276 bar
38	363	6	8	10	14	17	19	21
51	483	8	11	14	19	22	25	27
64	604	10	14	17	24	28	31	34
76	725	12	17	21	29	33	37	41

- Horsepower required is based upon 85% overall efficiency.
- Formula (1) hp required =  $\frac{GPM \times psi}{1457}$  or kW =  $\frac{LPM \times bar}{511}$  (2) Expected GPM =  $\frac{Rated\ GPM \times Working\ RPM}{Rated\ RPM}$
- Expected LPM =  $\frac{Rated\ LPM \times Working\ RPM}{Rated\ RPM}$
- Motor Sheave =  $\frac{Pump\ Sheave \times Pump\ RPM}{Motor\ RPM}$   
O.D. size O.D. size Motor RPM

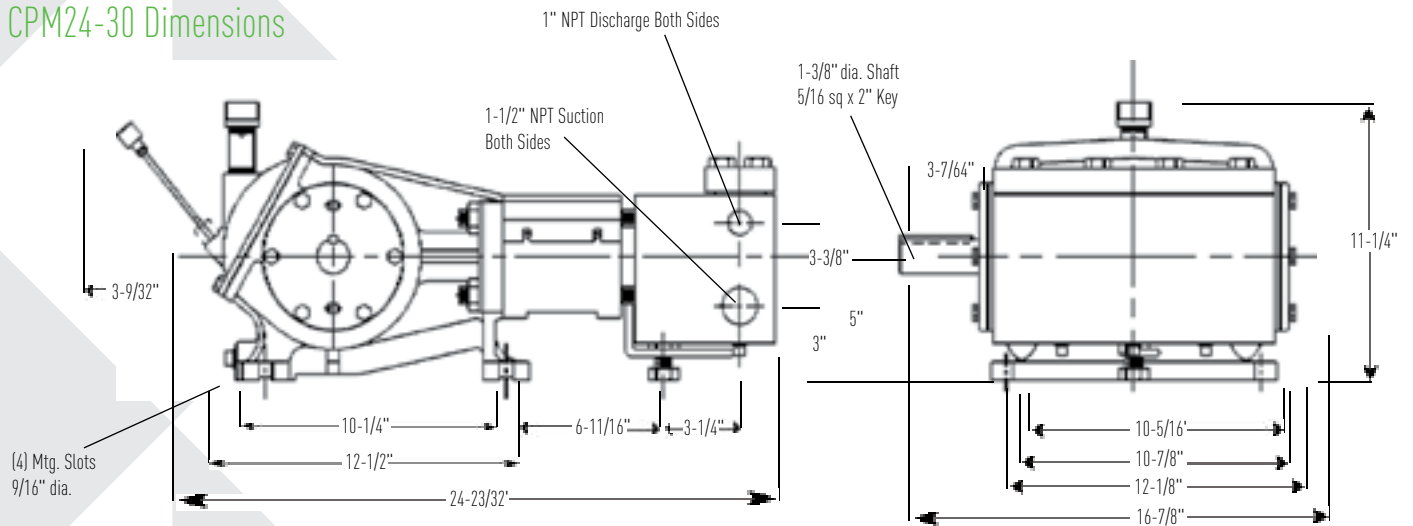
**NOTE:** Horsepower requirements for an internal combustion engine (gas or diesel) may be obtained by multiplying the figures listed by 1.3. Do not exceed 80% of the manufacturer's advertised horsepower at operating RPM.

## Components

1. Valve Assemblies – Stainless steel seats. Plastic acetal copolymer valves.
2. Plunger Assembly
3. Body – Rugged cast iron crankcase serves as oil reservoir. Removable cover section for easy service.
4. Crankshaft – Rotates in either direction. Automotive-type heat-treated alloy steel.
5. Main Bearings – Tapered roller bearings.
6. Continuous Splash Lubrication – In either rotation direction.
7. Connecting Links – Cast iron with replaceable bronze bearings.
8. Crossheads – Heavy-duty ductile iron. "Pony" rods are axially threaded and pinned, polished stainless steel.
9. Body – High strength steel (available stainless steel).
10. Suction, Discharge Openings – Threaded for easy connections.

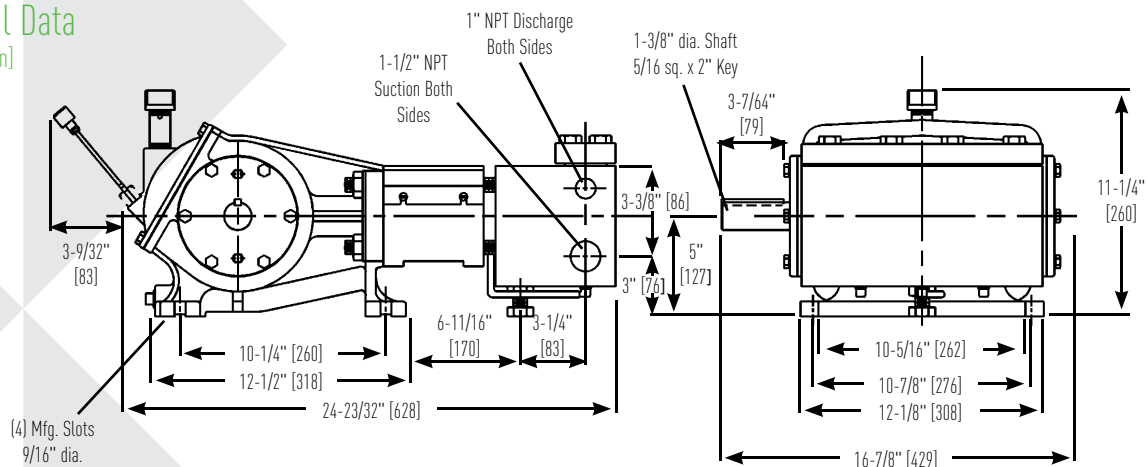


## CPM24-30 Dimensions



**NOTE:** Available with Hydraulic Flange

## Dimensional Data [Dimensions in mm]



1101 MYERS PARKWAY, ASHLAND, OH 44805  
WWW.FEMYERS.COM  
PH: 855-274-8948

490 PINEBUSH ROAD, UNIT 4, CAMBRIDGE, ONTARIO N1T 0A5  
WWW.FEMYERS.COM  
PH: 800-387-4386 ORDERS FAX: 888-606-5484

Myers® is a registered trademark of Pentair.

Because we are continuously improving our products and services, Pentair reserves the right to change specifications without prior notice.  
K4186 06/21/17 © 2017 Pentair. All Rights Reserved.