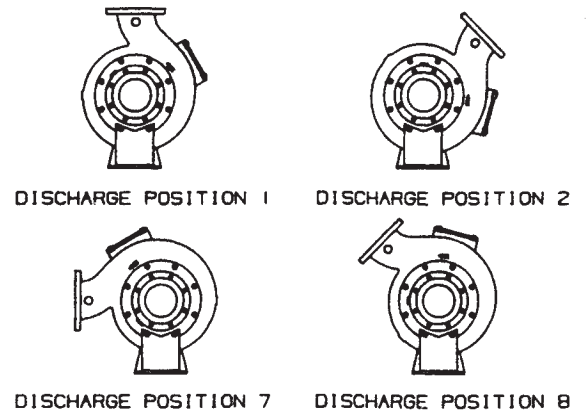
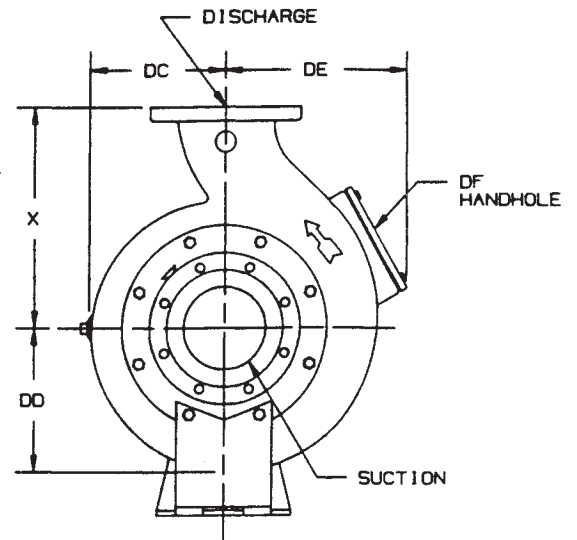
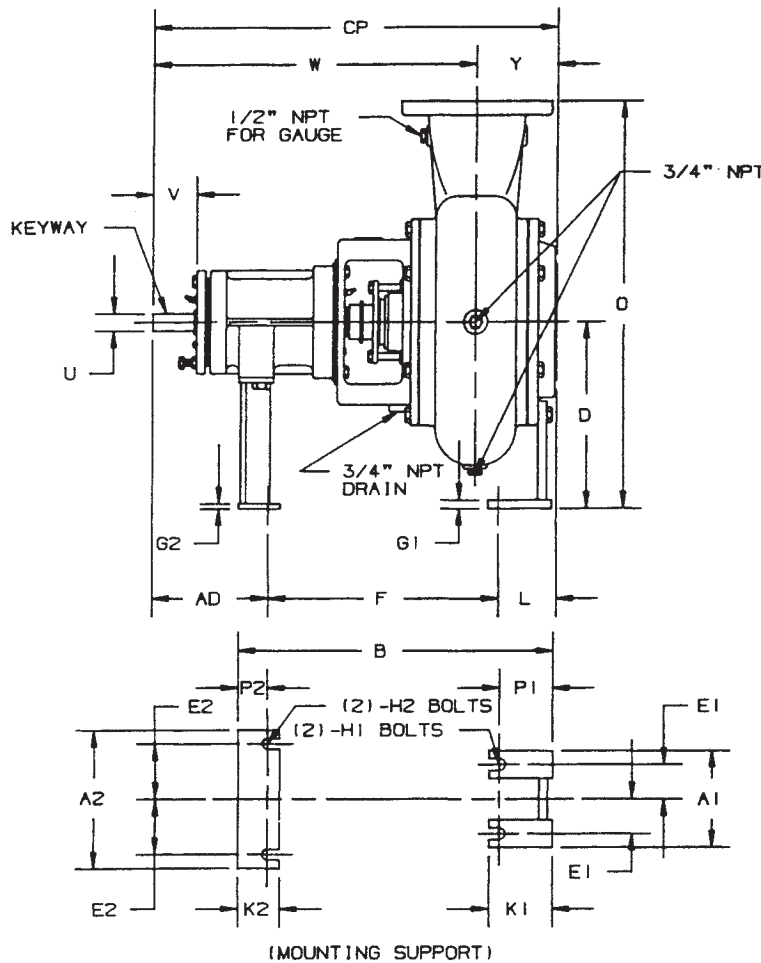


AURORA® MODEL 611A PUMP

6" & 8" PUMPS

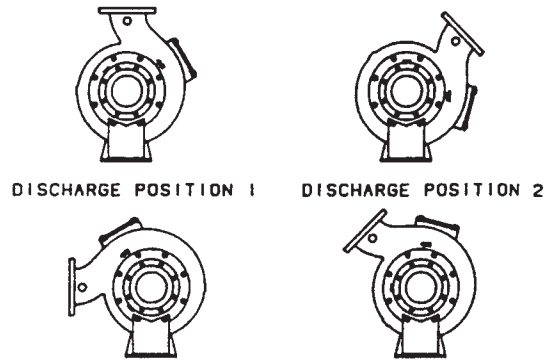
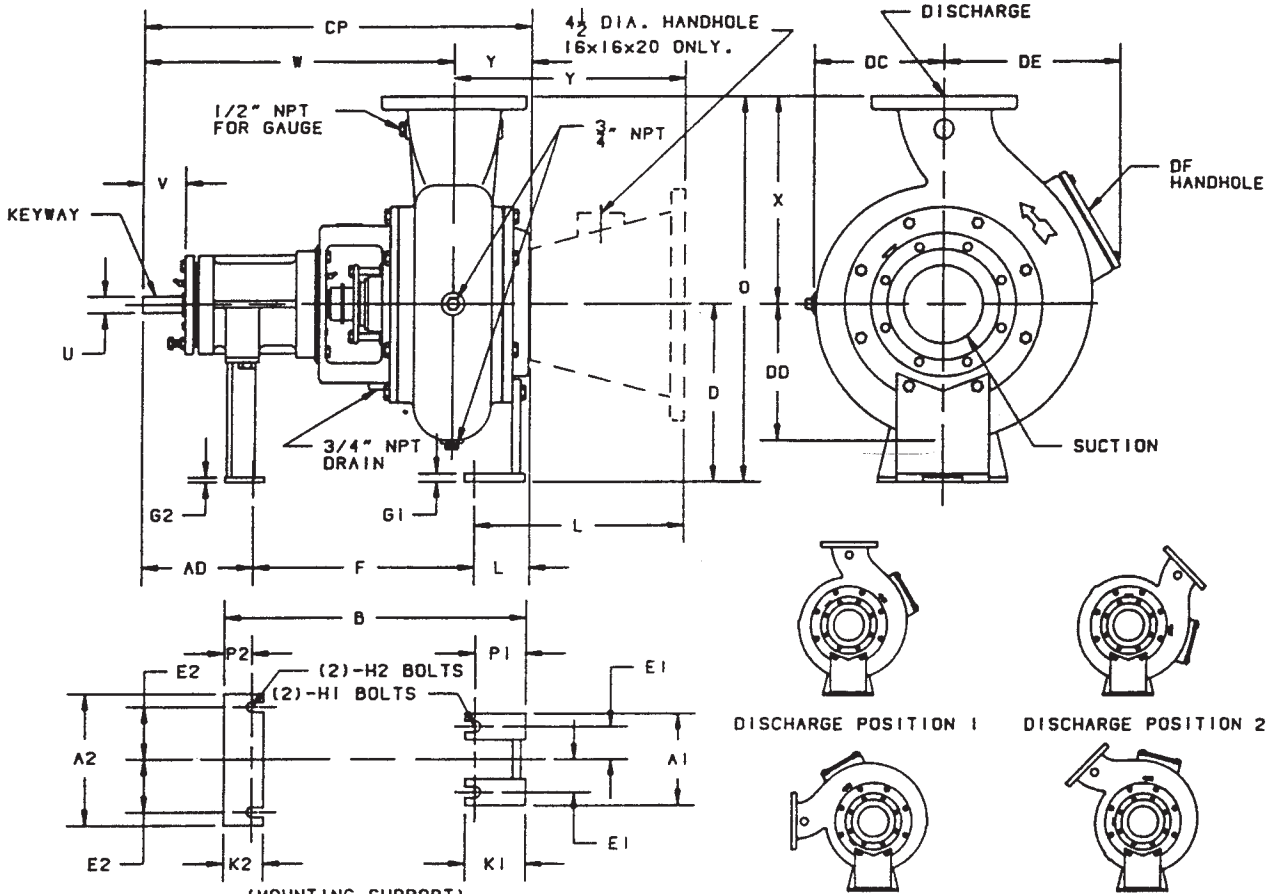


- NOTES:
1. ALL DIMENSIONS IN INCHES.
 2. DIMENSIONS MAY VARY $\pm 1/2$ "
 3. NOT FOR CONSTRUCTION PURPOSES UNLESS CERTIFIED.
 4. TWO (2) 1/2" NPT CONNECTIONS 180° APART, ON THE STUFFING BOX FOR LUBRICATION PURPOSES ARE FURNISHED AS STANDARD. ON PACKED PUMPS AN ALEMITE FITTING IS PROVIDED IN ONE TAP AND THE REMAINING TAP IS PLUGGED.
 5. DISCHARGE POSITION 1 IS FURNISHED AS STANDARD UNLESS SPECIFIED.
 6. SUCTION AND DISCHARGE FLANGES ARE AMERICAN STANDARD 125 LBS.

POWER FRAME	U	V	KEYWAY		
			LENGTH	WIDTH	DEPTH
4C, 4D	1 1/4	3 3/16	2	1/4	1/8
5E, 5F 5G, 5H	2 3/8	6 3/8	4	5/8	5/16

DISCH SUCT CASE BORE	POWER FRAME	A1	A2	B	D	E1	E2	F	G1	G2	H1	H2	K1	K2
6x6x12	4C, 4D	7	10	22 7/8	13 1/2	2 1/2	4	16 7/8	5/8	3/8	5/8	5/8	4 5/8	3
6x6x12	5E, 5F	7	10	28 15/16	13 1/2	2 1/2	3 3/4	22 5/16	5/8	3/8	3/4	3/4	4 5/8	4
6x6x12B	4C, 4D	7	10	22 7/8	13 1/2	2 1/2	4	16 7/8	5/8	3/8	5/8	5/8	4 5/8	3
6x6x12B	5E, 5F	7	10	28 15/16	13 1/2	2 1/2	3 3/4	22 5/16	5/8	3/8	3/4	3/4	4 5/8	4
6x8x15	5E, 5F	11 1/2	11	29 1/8	15 1/4	4 1/4	4 1/4	20 7/8	5/8	3/8	7/8	7/8	7	3 1/2
6x8x18	5E, 5F	11 1/2	12 1/2	29 7/8	17 1/2	4 1/4	5	20 5/8	3/4	1/2	7/8	7/8	7	4 1/2
8x8x15A	5E	11 1/2	11	29 13/16	15 1/4	4 1/4	4 1/4	21 9/16	5/8	3/8	7/8	7/8	7	3 1/2
8x10x18	5G, 5H	11 1/2	12 1/2	31	17 1/2	4 1/4	6	21 3/4	3/4	1/2	7/8	7/8	7	4 1/2
8x10x22	5G, 5H	11	15	31 1/4	21	4	6 1/4	21 3/4	3/4	1/2	7/8	7/8	7 1/4	4 1/2

DISCH SUCT CASE BORE	POWER FRAME	L	O	P1	P2	W	X	Y	AD	CP	DC	DD	DE	DF
6x6x12	4C, 4D	4 1/4	27 1/2	3 7/8	2 1/8	23 5/16	14	6 3/16	8 3/8	29 1/2	9 1/2	10 1/2	13 7/8	5x5
6x6x12	5E, 5F	4 1/4	27 1/2	3 7/8	2 3/4	34 3/16	14	6 3/16	13 13/16	40 3/8	9 1/2	10 1/2	13 7/8	5x5
6x6x12B	4C, 4D	4 1/4	29 1/2	3 7/8	2 1/8	23 7/16	16	6 1/16	8 3/8	29 1/2	10 3/8	11 1/16	13 7/8	5x5
6x6x12B	5E, 5F	4 1/4	29 1/2	3 7/8	2 3/4	34 5/16	16	6 1/16	13 13/16	40 3/8	10 3/8	11 1/16	13 7/8	5x5
6x8x15	5E, 5F	5 3/4	31 1/4	6	2 1/4	33 3/4	16	6 1/8	13 1/4	39 7/8	11 3/8	12 1/2	15 3/8	5x5
6x8x18	5E, 5F	5 3/4	35 1/2	6	3 1/4	34 1/16	18	6 7/16	14 1/8	40 1/2	13	14 3/8	16 7/8	5x5
8x8x15A	5E	8 7/16	34 1/4	6	2 1/4	34 1/8	19	9 1/8	13 1/4	43 1/4	12 5/8	13 1/2	15 3/4	5x7
8x10x18	5G, 5H	5 1/2	36 1/2	6	3 1/4	34 5/8	19	6 3/4	14 1/8	41 3/8	12 7/8	14 9/16	16	5x7
8x10x22	5G, 5H	5 5/8	43	6 1/4	3 1/4	34 5/8	22	6 7/8	14 1/8	41 1/2	14 7/8	16 1/2	17 7/8	5x7



DISCHARGE POSITIONS AVAILABLE (VIEWED FROM SUCTION END)

POWER FRAME	U	V	KEYWAY		
			LENGTH	WIDTH	DEPTH
5E, 5F	2 3/8	6 3/8	4	5/8	5/16
5G, 5H	2 7/8	6 5/8	5	3/4	3/8
6E	2 7/8	5 3/4	4	3/4	3/8

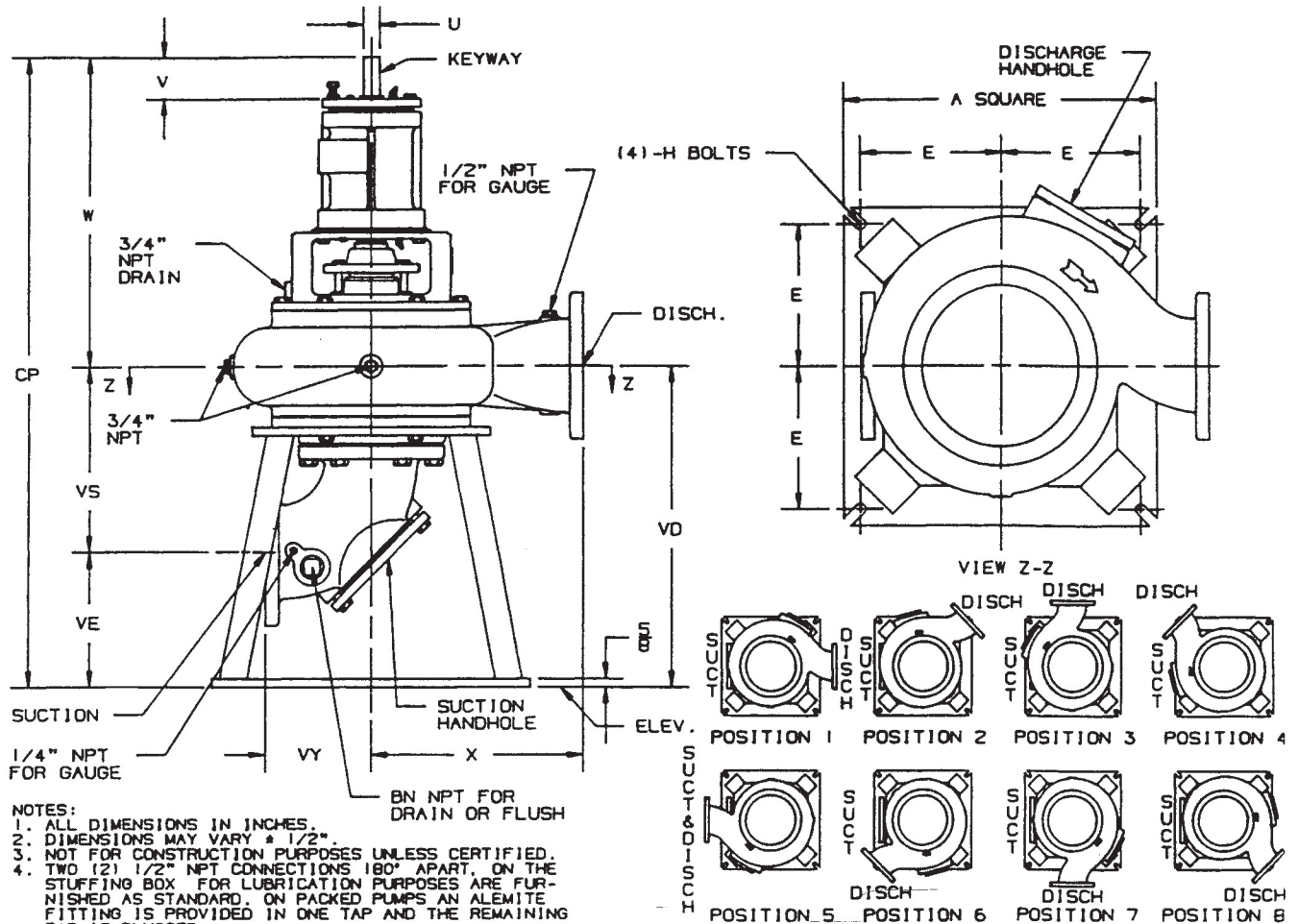
- NOTES:
1. ALL DIMENSIONS IN INCHES.
 2. DIMENSIONS MAY VARY ± 1/2".
 3. NOT FOR CONSTRUCTION PURPOSES UNLESS CERTIFIED.
 4. TWO (2) 1/2" NPT CONNECTIONS 180° APART, ON THE STUFFING BOX FOR LUBRICATION PURPOSES ARE FURNISHED AS STANDARD. ON PACKED PUMPS AN ALEMITE FITTING IS PROVIDED IN ONE TAP AND THE REMAINING TAP IS PLUGGED.
 5. DISCHARGE POSITION 1 IS FURNISHED AS STANDARD UNLESS SPECIFIED.
 6. SUCTION AND DISCHARGE FLANGES ARE AMERICAN STANDARD 125 LBS.

DISCH SUCT CASE BORE	POWER FRAME	A1	A2	B	D	E1	E2	F	G1	G2	H1	H2	K1	K2	
10x10x15	5E, 5F	11 1/2	11	31	15 1/4	4 1/4	4 1/4	22 3/4	5/8	3/8	7/8	7/8	7	3 1/2	
10x10x22	6E	11	15	33 3/4	21	4	4	6 1/4	24 1/8	3/4	1/2	7/8	7/8	7 1/4	4 1/2
10x12x22	5G, 5H	11	15	32 5/16	21	4	4	6 1/4	22 3/4	3/4	1/2	7/8	7/8	7 1/4	4 1/2
10x12x22	6D	11	15	34 13/16	21	4	4	6 1/4	25 1/8	3/4	1/2	7/8	7/8	7 1/4	4 1/2
12x12x22	6E	11	15	34 1/4	21	4	4	6 1/4	25 1/4	3/4	1/2	7/8	7/8	7 1/4	4 1/2
12x14x22A	5G, 5H	11	15	32 3/8	21	4	4	6 1/4	22 7/8	3/4	1/2	7/8	7/8	7 1/4	4 1/2
12x14x22A	6D	11	15	34 1/4	21	4	4	6 1/4	25 1/4	3/4	1/2	7/8	7/8	7 1/4	4 1/2
12x14x22B	5G, 5H	11	15	32 3/8	21	4	4	6 1/4	22 7/8	3/4	1/2	7/8	7/8	7 1/4	4 1/2
12x14x22B	6D	11	15	34 1/4	21	4	4	6 1/4	25 1/4	3/4	1/2	7/8	7/8	7 1/4	4 1/2
14x14x22A	6E	11	15	34 1/4	21	4	4	6 1/4	25 1/4	3/4	1/2	7/8	7/8	7 1/4	4 1/2
16x16x20	6F	11	15	39	24	4	4	6 1/4	29 1/2	3/4	1/2	7/8	7/8	7 1/4	4 1/2

DISCH SUCT CASE BORE	POWER FRAME	L	O	P1	P2	W	X	Y	AD	CP	DC	DD	DE	DF
10x10x15	5E, 5F	8 7/8	35 1/4	6	2 1/4	34 13/16	20	10 1/16	13 1/4	44 7/8	11 5/8	13 5/8	17 1/2	5x7
10x10x22	6E	5 5/8	43	6 1/4	3 1/4	37 1/8	22	6 7/8	14 1/4	44	15	16 1/2	18 1/2	5x7
10x12x22	5G, 5H	5 3/8	43 1/2	6 1/4	3 1/4	35 1/16	22 1/2	7 3/16	14 1/8	42 1/4	15 1/2	17 7/8	20 1/8	5x7
10x12x22	6D	5 3/8	43 1/2	6 1/4	3 1/4	37 9/16	22 1/2	7 3/16	14 1/4	44 3/4	15 1/2	17 7/8	20 1/8	5x7
12x12x22	6E	5 3/8	43 1/2	6 1/4	3 1/4	37 5/8	22 1/2	7 1/4	14 1/4	44 7/8	15 5/8	17 3/4	21	5x7
12x14x22A	5G, 5H	5 3/8	45	6 1/4	3 1/4	35 1/8	24	7 1/4	14 1/8	42 3/8	15 7/8	18 3/4	22 1/4	5x7
12x14x22A	6D	5 3/8	45	6 1/4	3 1/4	37 5/8	24	7 1/4	14 1/4	44 7/8	15 7/8	18 3/4	22 1/4	5x7
12x14x22B	5G, 5H	5 3/8	45	6 1/4	3 1/4	35 1/8	24	7 1/4	14 1/8	42 3/8	15 7/8	18 3/4	22 1/4	5x7
12x14x22B	6D	5 3/8	45	6 1/4	3 1/4	37 5/8	24	7 1/4	14 1/4	44 7/8	15 7/8	18 3/4	22 1/4	5x7
14x14x22A	6E	5 3/8	45	6 1/4	3 1/4	37 5/8	24	7 1/4	14 1/4	44 7/8	15 7/8	18 3/4	22 1/4	5x7
16x16x20	6F	19 1/2	56	6 1/4	3 1/4	39 7/8	32	23 1/2	14 1/8	63 3/8	17 3/4	20 1/2	24	6 DIA

AURORA® MODEL 612A PUMP

6", 8", 10", 12" & 14" PUMPS

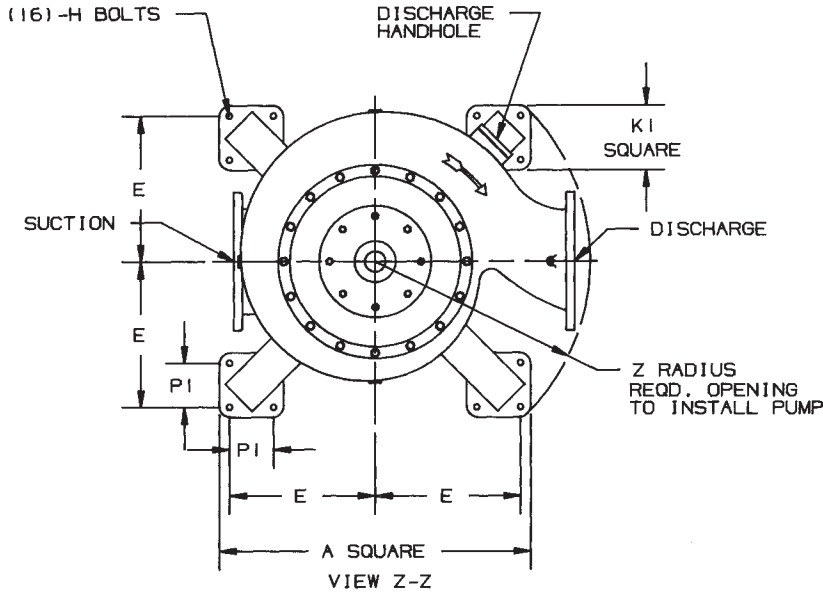


- NOTES:**
1. ALL DIMENSIONS IN INCHES.
 2. DIMENSIONS MAY VARY $\pm 1/2"$.
 3. NOT FOR CONSTRUCTION PURPOSES UNLESS CERTIFIED.
 4. TWO (2) 1/2" NPT CONNECTIONS 180° APART, ON THE STUFFING BOX FOR LUBRICATION PURPOSES ARE FURNISHED AS STANDARD. ON PACKED PUMPS AN ALEMITE FITTING IS PROVIDED IN ONE TAP AND THE REMAINING TAP IS PLUGGED.
 5. DISCHARGE POSITION 1 IS FURNISHED AS STANDARD UNLESS SPECIFIED.
 6. SUCTION AND DISCHARGE FLANGES ARE AMERICAN STANDARD 125 LBS.

DISCHARGE POSITIONS AVAILABLE (VIEW Z-Z)

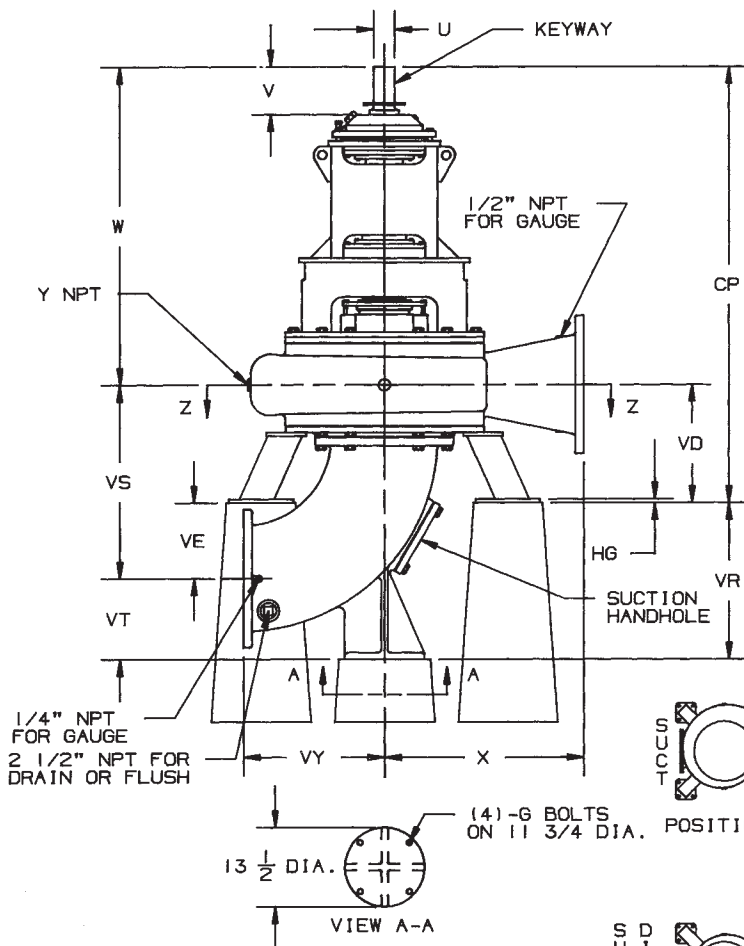
POWER FRAME	U	V	KEYWAY		
			LENGTH	WIDTH	DEPTH
4C, 4D	1 1/4	3 3/16	2	1/4	1/8
5E, 5F	2 3/8	6 3/8	4	5/8	5/16
5G, 5H					
6D	2 7/8	6 5/8	5	3/4	3/8
6E	2 7/8	5 3/4	4	3/4	3/8

DISCH SUCT CASE BORE	POWER FRAME	A	BN	E	H	VY	W	X	CP	VD	VE	VS	HANDHOLE	
													DISCH.	SUCT.
6x6x12	4C, 4D	24	1 1/2	10 3/4	5/8	8	23 5/16	14	47 9/16	24 1/4	10 1/8	14 1/8	5x5	6
6x6x12	5E, 5F	24	1 1/2	10 3/4	5/8	8	34 3/16	14	58 7/16	24 1/4	10 1/8	14 1/8	5x5	6
6x6x12B	4C, 4D	24	1 1/2	10 3/4	5/8	8	23 7/16	16	47 9/16	24 1/8	10 1/8	14	5x5	6
6x6x12B	5E, 5F	24	1 1/2	10 3/4	5/8	8	34 5/16	16	58 7/16	24 1/8	10 1/8	14	5x5	6
6x8x15	5E, 5F	30	1 1/2	13 3/4	3/4	9	33 3/4	16	65 7/8	32 1/8	17	15 1/8	5x5	6
6x8x18	5E, 5F	30	1 1/2	13 3/4	3/4	9	34 1/16	18	66 7/16	32 3/8	17	15 3/8	5x5	6
8x8x15A	5E	30	1 1/2	13 3/4	3/4	9	34 1/8	19	66 1/2	32 3/8	14 1/4	18 1/8	5x7	6
8x10x18	5G, 5H	30	1 1/2	13 3/4	3/4	11	34 5/8	19	67 5/8	33	15 3/16	17 13/16	5x7	6
8x10x22	5G, 5H	37	1 1/2	17	7/8	11	34 5/8	22	69 1/8	34 1/2	16 5/8	17 7/8	5x7	6
10x10x15	5E, 5F	30	1 1/2	13 3/4	3/4	11	34 13/16	20	67 3/4	32 15/16	11 7/8	21 1/16	5x7	6
10x10x22	6E	37	1 1/2	17	7/8	11	37 1/8	22	71 5/8	34 1/2	16 5/8	17 7/8	5x7	6
10x12x22	5G, 5H	37	1 1/2	17	7/8	12	35 1/16	22 1/2	70 3/16	35 1/8	15 9/16	19 3/16	5x7	8
10x12x22	6D	37	1 1/2	17	7/8	12	37 9/16	22 1/2	72 11/16	35 1/8	15 9/16	19 3/16	5x7	8
12x12x22	6E	37	1 1/2	17	7/8	12	37 5/8	22 1/2	72 3/4	35 1/8	15 9/16	19 3/16	5x7	8
12x14x22A	5G, 5H	37	2 1/2	17	7/8	14	35 1/8	24	70 1/4	35 1/8	13 7/8	21 1/4	5x7	8
12x14x22A	6D	37	2 1/2	17	7/8	14	37 5/8	24	72 3/4	35 1/8	13 7/8	21 1/4	5x7	8
12x14x22B	5G, 5H	37	2 1/2	17	7/8	14	35 1/8	24	70 1/4	35 1/8	13 7/8	21 1/4	5x7	8
12x14x22B	6D	37	2 1/2	17	7/8	14	37 5/8	24	72 3/4	35 1/8	13 7/8	21 1/4	5x7	8
14x14x22A	6E	37	2 1/2	17	7/8	14	37 5/8	24	72 3/4	35 1/8	13 7/8	21 1/4	5x7	8

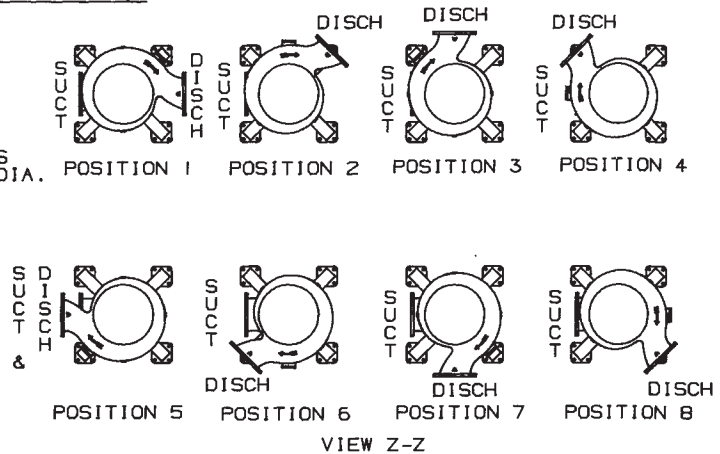


CASE BORE	16x16x28	18x18x28	20x20x28
SUCT.			
DISCH.			
POWER FRAME	8	8	8
A	53	53	53
E	24 3/4	24 3/4	24 3/4
G	3/4	3/4	3/4
H	7/8	7/8	7/8
KI	11	11	11
PI	7 1/2	7 1/2	7 1/2
W	54 3/8	55 1/8	55 5/8
X	34	37	42
Y	3/4	1	1
Z	36	38	44 1/4
CP	74 1/2	78	77 11/16
HG	5/8	5/8	5/8
VD	20 1/8	22 7/8	22 1/16
VE	12 15/16	14 1/8	21 15/16
VR	26 11/16	29 1/8	37 15/16
VS	33 1/16	37	44
VT	13 3/4	15	16
VY	24	26 1/2	29
HANDHOLE DISCH.	6	6	6
HANDHOLE SUCT.	8	8	8

U	V	KEYWAY		
		LENGTH	WIDTH	DEPTH
3 1/2	6 1/2	4 3/4	7/8	7/16

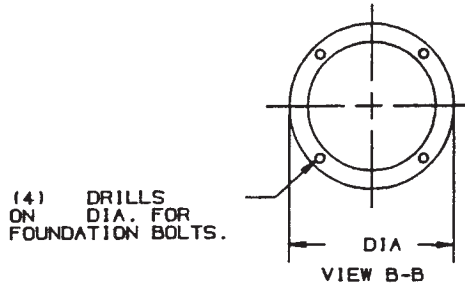


- NOTES:
1. ALL DIMENSIONS IN INCHES.
 2. DIMENSIONS MAY VARY ± 1/2"
 3. NOT FOR CONSTRUCTION PURPOSES UNLESS CERTIFIED.
 4. TWO (2) 1/2" NPT CONNECTIONS 180° APART, ON THE STUFFING BOX FOR LUBRICATION PURPOSES ARE FURNISHED AS STANDARD. ON PACKED PUMPS AN ALEMITE FITTING IS PROVIDED IN ONE TAP AND THE REMAINING TAP IS PLUGGED.
 5. DISCHARGE POSITION 1 IS FURNISHED AS STANDARD UNLESS SPECIFIED.
 6. SUCTION AND DISCHARGE FLANGES ARE AMERICAN STANDARD 125 LBS.



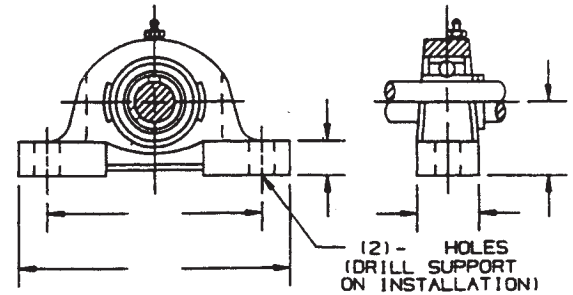
AURORA® MODEL 612A PUMP

6" PUMPS FLEXIBLE SHAFT

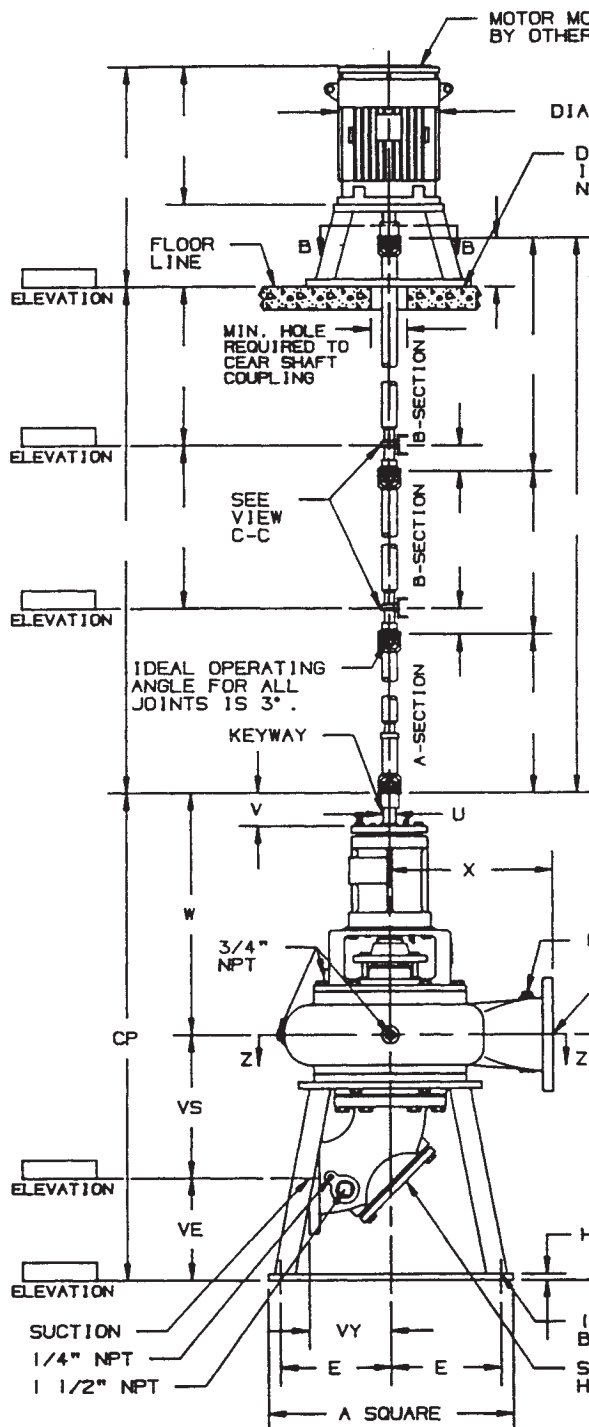


(4) DRILLS ON DIA. FOR FOUNDATION BOLTS.

VIEW B-B



(2) - HOLES (DRILL SUPPORT ON INSTALLATION)

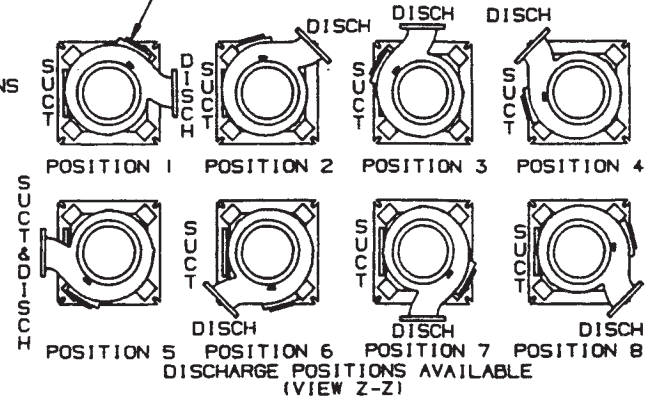


MOTOR MOUNTED BY OTHERS

DISCHARGE HANDHOLE

VIEW C-C STEADY BEARINGS

DIA
DIMENSIONS INCLUDE NO GROUT



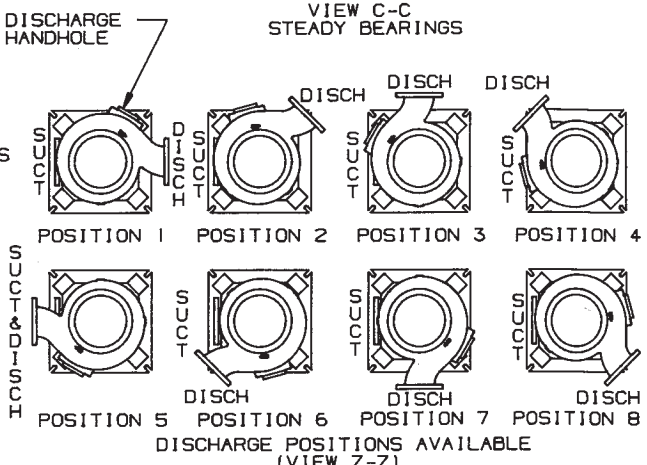
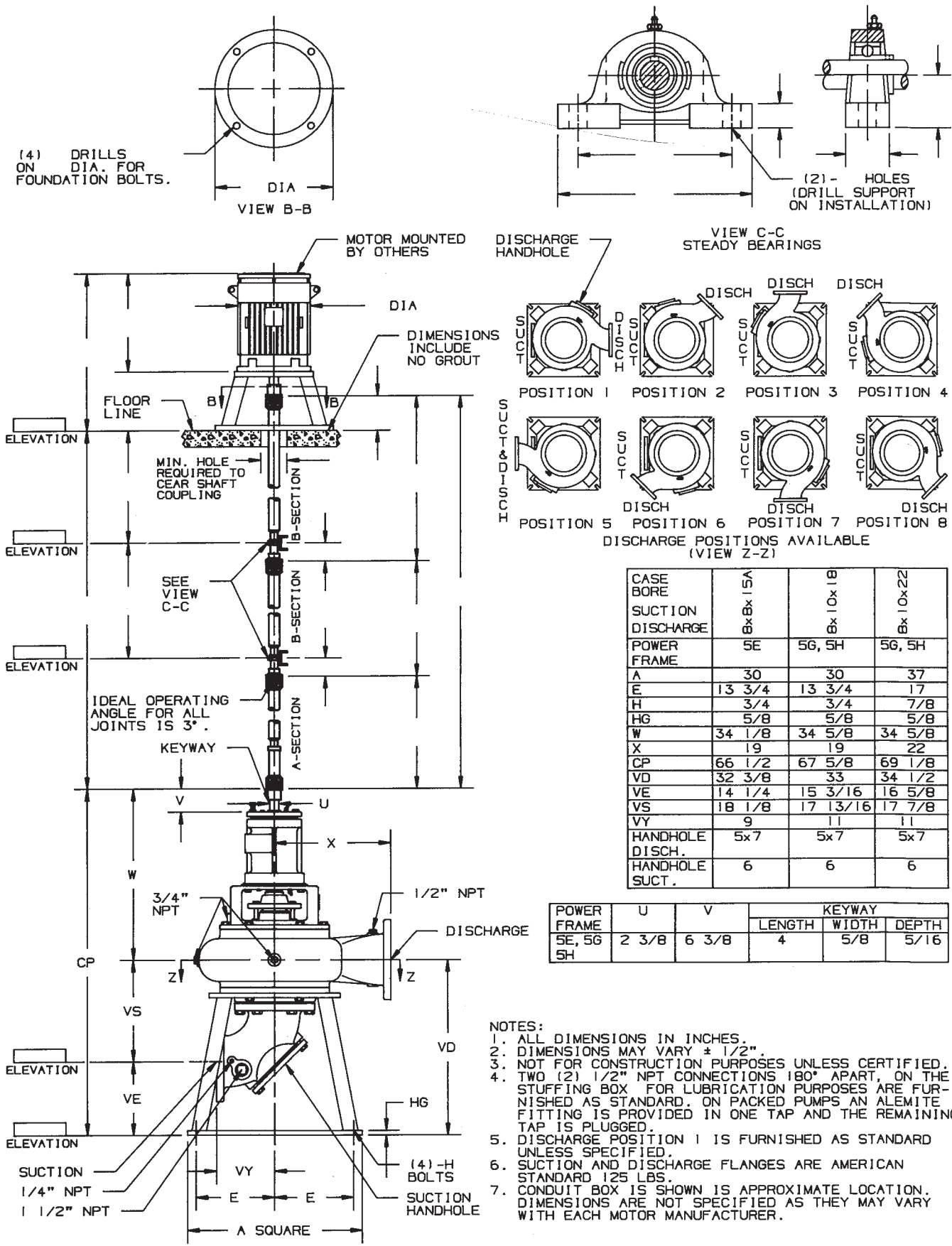
DISCHARGE POSITIONS AVAILABLE (VIEW Z-Z)

CASE BORE	6x6x12	6x6x12	6x6x12B	6x6x12B	6x6x15	6x6x18
SUCTION DISCHARGE						
POWER FRAME	4C, 4D	5E, 5F	4C, 4D	5F	5E, 5F	5E, 5F
A	24	24	24	24	30	30
E	10 3/4	10 3/4	10 3/4	10 3/4	13 3/4	13 3/4
H	5/8	5/8	5/8	5/8	3/4	3/4
HG	5/8	5/8	5/8	5/8	5/8	5/8
W	23 5/16	34 3/16	23 7/16	34 5/16	33 3/4	34 1/16
X	14	14	16	16	16	18
CP	47 9/16	58 7/16	47 9/16	58 7/16	65 7/8	66 7/16
VD	24 1/4	24 1/4	24 1/8	24 1/8	32 1/8	32 3/8
VE	10 1/8	10 1/8	10 1/8	10 1/8	17	17
VS	14 1/8	14 1/8	14	14	15 1/8	15 3/8
VY	8	8	8	8	9	9
HANDHOLE DISCH.	5x5	5x5	5x5	5x5	5x5	5x5
HANDHOLE SUCT.	6	6	6	6	6	6

POWER FRAME	U	V	KEYWAY		
			LENGTH	WIDTH	DEPTH
4C, 4D	1 1/4	3 3/16	2	1/4	1/8
5E, 5F	2 3/8	6 3/8	4	5/8	5/16

- NOTES:
- ALL DIMENSIONS IN INCHES.
 - DIMENSIONS MAY VARY ± 1/2".
 - NOT FOR CONSTRUCTION PURPOSES UNLESS CERTIFIED.
 - TWO (2) 1/2" NPT CONNECTIONS 180° APART, ON THE STUFFING BOX FOR LUBRICATION PURPOSES ARE FURNISHED AS STANDARD. ON PACKED PUMPS AN ALEMITE FITTING IS PROVIDED IN ONE TAP AND THE REMAINING TAP IS PLUGGED.
 - DISCHARGE POSITION 1 IS FURNISHED AS STANDARD UNLESS SPECIFIED.
 - SUCTION AND DISCHARGE FLANGES ARE AMERICAN STANDARD 125 LBS.
 - CONDUIT BOX IS SHOWN IS APPROXIMATE LOCATION. DIMENSIONS ARE NOT SPECIFIED AS THEY MAY VARY WITH EACH MOTOR MANUFACTURER.

Supersedes Section 610 Page 206
Dated October 1989



CASE BORE	15A	18	22
SUCTION	8x8	10x10	10x22
DISCHARGE	8x8	8x8	8x10
POWER FRAME	5E	5G, 5H	5G, 5H
A	30	30	37
E	13 3/4	13 3/4	17
H	3/4	3/4	7/8
HG	5/8	5/8	5/8
W	34 1/8	34 5/8	34 5/8
X	19	19	22
CP	66 1/2	67 5/8	69 1/8
VD	32 3/8	33	34 1/2
VE	14 1/4	15 3/16	16 5/8
VS	18 1/8	17 13/16	17 7/8
VY	9	11	11
HANDHOLE DISCH.	5x7	5x7	5x7
HANDHOLE SUCT.	6	6	6

POWER FRAME	U	V	KEYWAY		
			LENGTH	WIDTH	DEPTH
5E, 5G	2 3/8	6 3/8	4	5/8	5/16
5H					

- NOTES:
1. ALL DIMENSIONS IN INCHES.
 2. DIMENSIONS MAY VARY ± 1/2".
 3. NOT FOR CONSTRUCTION PURPOSES UNLESS CERTIFIED.
 4. TWO (2) 1/2" NPT CONNECTIONS 180° APART, ON THE STUFFING BOX FOR LUBRICATION PURPOSES ARE FURNISHED AS STANDARD. ON PACKED PUMPS AN ALEMITE FITTING IS PROVIDED IN ONE TAP AND THE REMAINING TAP IS PLUGGED.
 5. DISCHARGE POSITION 1 IS FURNISHED AS STANDARD UNLESS SPECIFIED.
 6. SUCTION AND DISCHARGE FLANGES ARE AMERICAN STANDARD 125 LBS.
 7. CONDUIT BOX IS SHOWN IS APPROXIMATE LOCATION. DIMENSIONS ARE NOT SPECIFIED AS THEY MAY VARY WITH EACH MOTOR MANUFACTURER.

AURORA® MODEL 612A PUMP

10" PUMPS

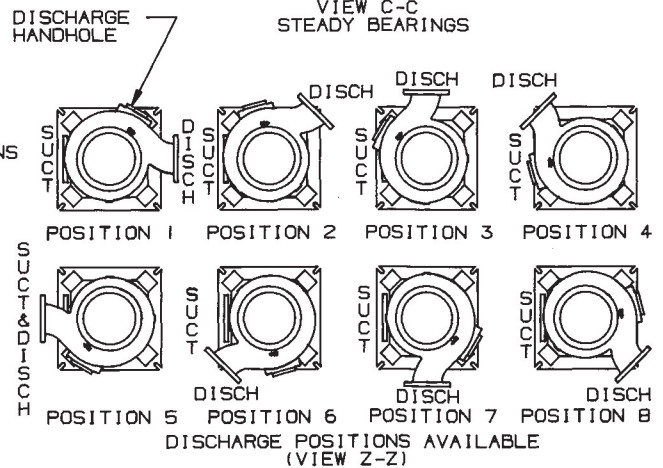
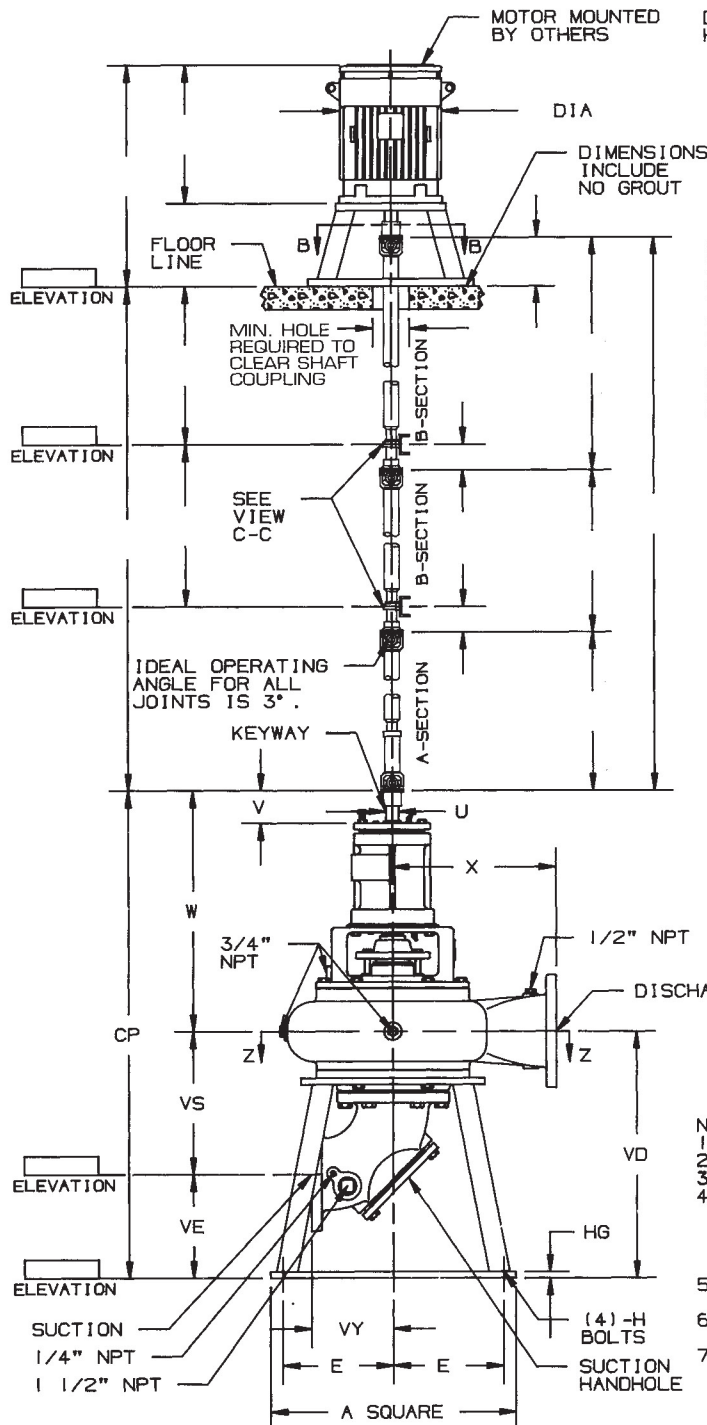
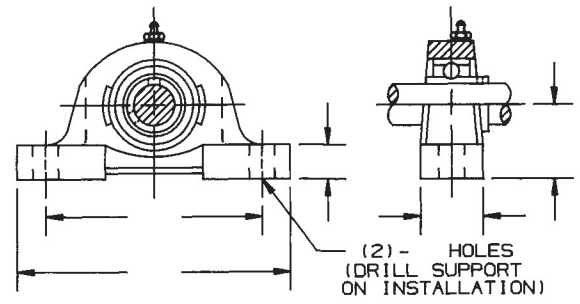
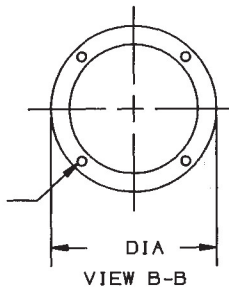
Date **October 2017**

FLEXIBLE SHAFT

Supersedes Section 610 Page 207

Dated May 1996

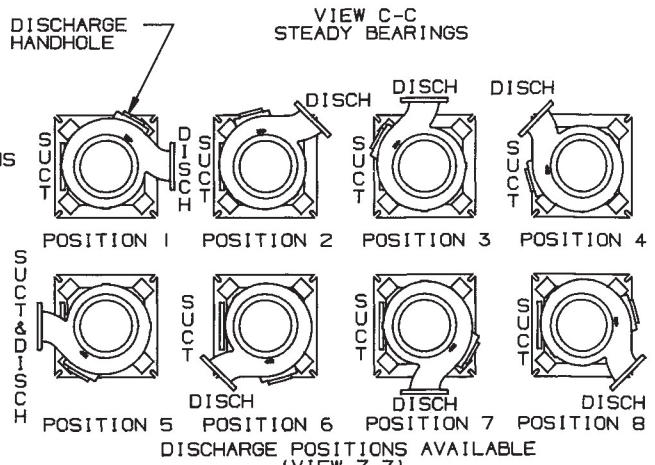
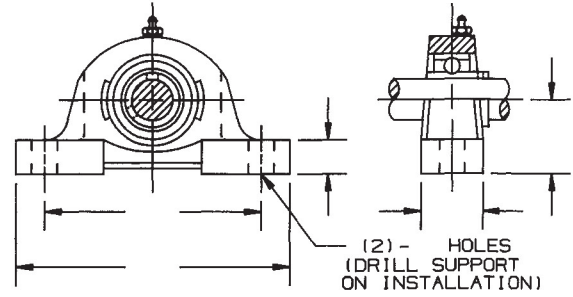
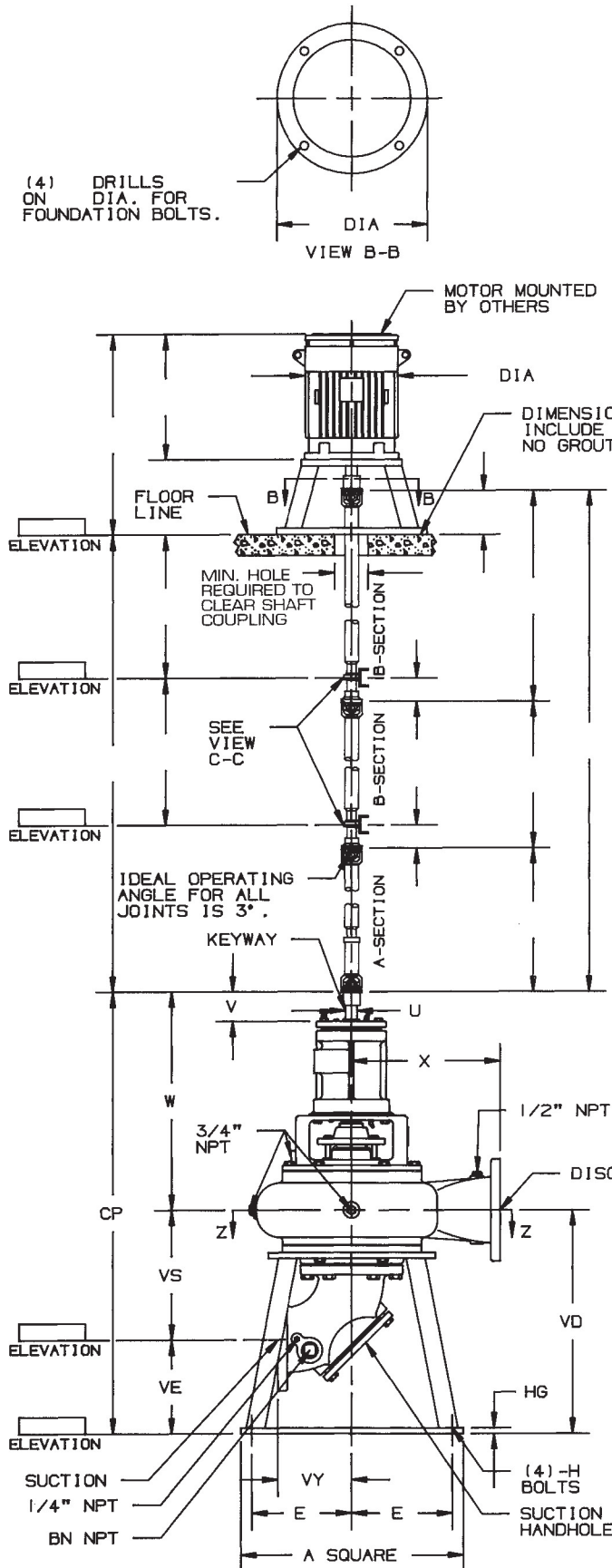
(4) DRILLS ON DIA. FOR FOUNDATION BOLTS.



CASE BORE	15	22	22	22
SUCTION	10x10	10x22	10x22	10x22
DISCHARGE	10x10	10x22	10x22	10x22
POWER FRAME	5E, 5F	6E	5G, 5H	6D
A	30	37	37	37
E	13 3/4	17	17	17
H	3/4	7/8	7/8	7/8
HG	5/8	5/8	5/8	5/8
W	34 13/16	37 1/8	35 1/16	37 9/16
X	20	22	22 1/2	22 1/2
CP	67 3/4	71 5/8	70 3/16	72 11/16
VD	32 15/16	34 1/2	35 1/8	35 1/8
VE	11 7/8	16 5/8	15 9/16	15 9/16
VS	21 1/16	17 7/8	19 3/16	19 3/16
VY	11	11	12	12
HANDHOLE DISCH.	5x7	5x7	5x7	5x7
HANDHOLE SUCT.	6	6	8	8

POWER FRAME	U	V	KEYWAY		
			LENGTH	WIDTH	DEPTH
5E, 5F	2 3/8	6 3/8	4	5/8	5/16
5G, 5H	2 7/8	6 5/8	5	3/4	3/8
6D	2 7/8	5 3/4	4	3/4	3/8

- NOTES:
- ALL DIMENSIONS IN INCHES.
 - DIMENSIONS MAY VARY ± 1/2".
 - NOT FOR CONSTRUCTION PURPOSES UNLESS CERTIFIED.
 - TWO (2) 1/2" NPT CONNECTIONS 180° APART, ON THE STUFFING BOX FOR LUBRICATION PURPOSES ARE FURNISHED AS STANDARD. ON PACKED PUMPS AN ALEMITE FITTING IS PROVIDED IN ONE TAP AND THE REMAINING TAP IS PLUGGED.
 - DISCHARGE POSITION 1 IS FURNISHED AS STANDARD UNLESS SPECIFIED.
 - SUCTION AND DISCHARGE FLANGES ARE AMERICAN STANDARD 125 LBS.
 - CONDUIT BOX IS SHOWN IS APPROXIMATE LOCATION. DIMENSIONS ARE NOT SPECIFIED AS THEY MAY VARY WITH EACH MOTOR MANUFACTURER.



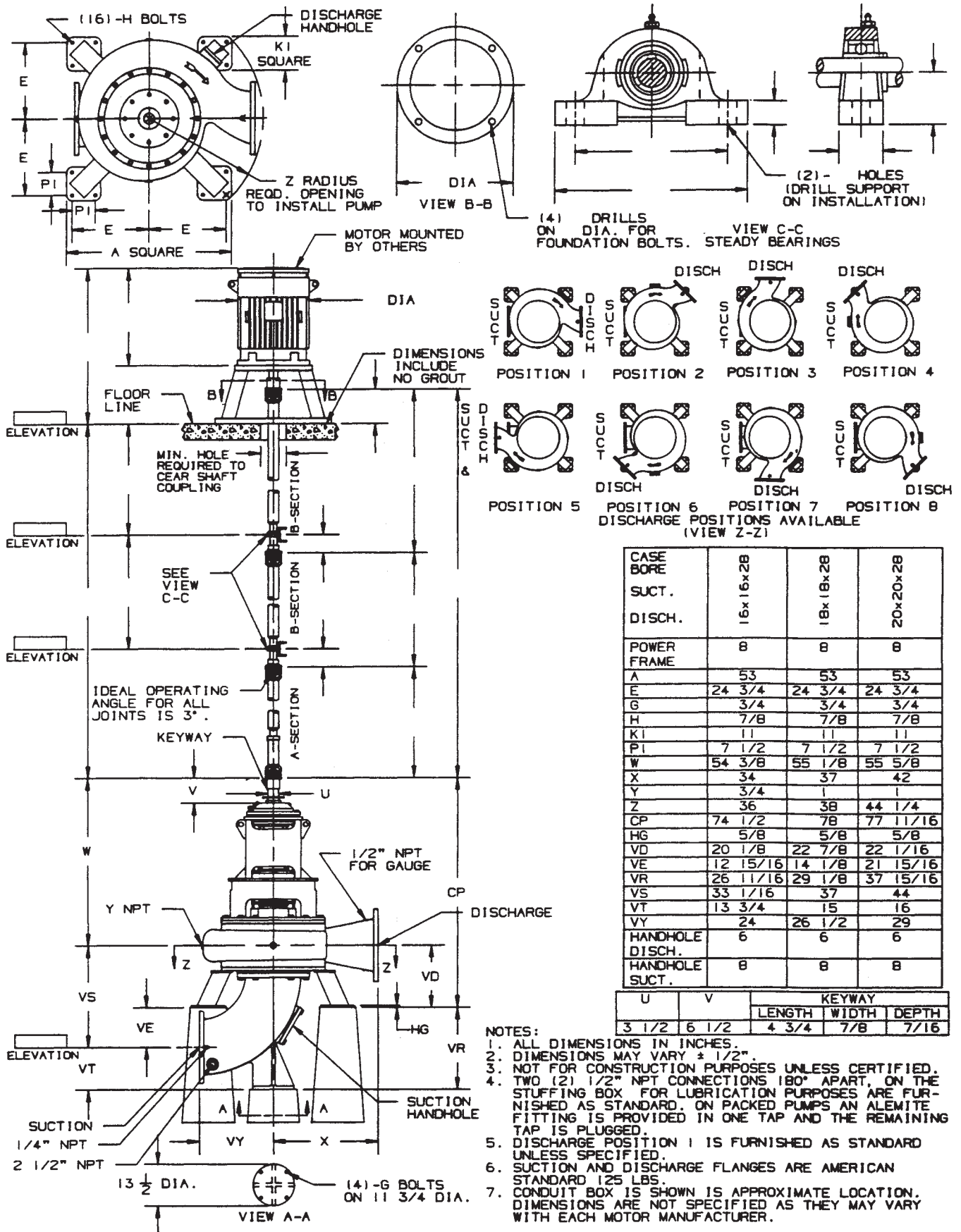
CASE BORE	12x12x22	12x14x22A	12x14x22A	12x14x22B	12x14x22B	14x14x22A
SUCTION						
DISCHARGE						
POWER FRAME	6E	5G, 5H	6D	5G, 5H	6D	6E
A	37	37	37	37	37	37
E	17	17	17	17	17	17
H	7/8	7/8	7/8	7/8	7/8	7/8
HG	5/8	5/8	5/8	5/8	5/8	5/8
W	37 5/8	35 1/8	37 5/8	35 1/8	37 5/8	37 5/8
X	22 1/2	24	24	24	24	24
BN	1 1/2	2 1/2	2 1/2	2 1/2	2 1/2	2 1/2
CP	72 3/4	70 1/4	72 3/4	70 1/4	72 3/4	72 3/4
VD	35 1/8	35 1/8	35 1/8	35 1/8	35 1/8	35 1/8
VE	15 9/16	13 7/8	13 7/8	13 7/8	13 7/8	13 7/8
VS	19 3/16	21 1/4	21 1/4	21 1/4	21 1/4	21 1/4
VY	12	14	14	14	14	14
HANDHOLE DISCH.	5x7	5x7	5x7	5x7	5x7	5x7
HANDHOLE SUCT.	6	6	8	8	8	8

POWER FRAME	KEYWAY	
	LENGTH	WIDTH
5E, 5F	2 3/8	5/8
5G, 5H	6 3/8	5/16
6D	2 7/8	3/8
6E	2 7/8	3/8

- NOTES:
1. ALL DIMENSIONS IN INCHES.
 2. DIMENSIONS MAY VARY ± 1/2".
 3. NOT FOR CONSTRUCTION PURPOSES UNLESS CERTIFIED.
 4. TWO (2) 1/2" NPT CONNECTIONS 180° APART, ON THE STUFFING BOX FOR LUBRICATION PURPOSES ARE FURNISHED AS STANDARD. ON PACKED PUMPS AN ALEMITE FITTING IS PROVIDED IN ONE TAP AND THE REMAINING TAP IS PLUGGED.
 5. DISCHARGE POSITION 1 IS FURNISHED AS STANDARD UNLESS SPECIFIED.
 6. SUCTION AND DISCHARGE FLANGES ARE AMERICAN STANDARD 125 LBS.
 7. CONDUIT BOX IS SHOWN IS APPROXIMATE LOCATION. DIMENSIONS ARE NOT SPECIFIED AS THEY MAY VARY WITH EACH MOTOR MANUFACTURER.

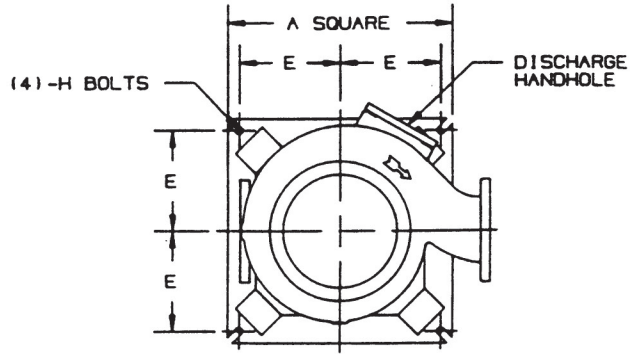
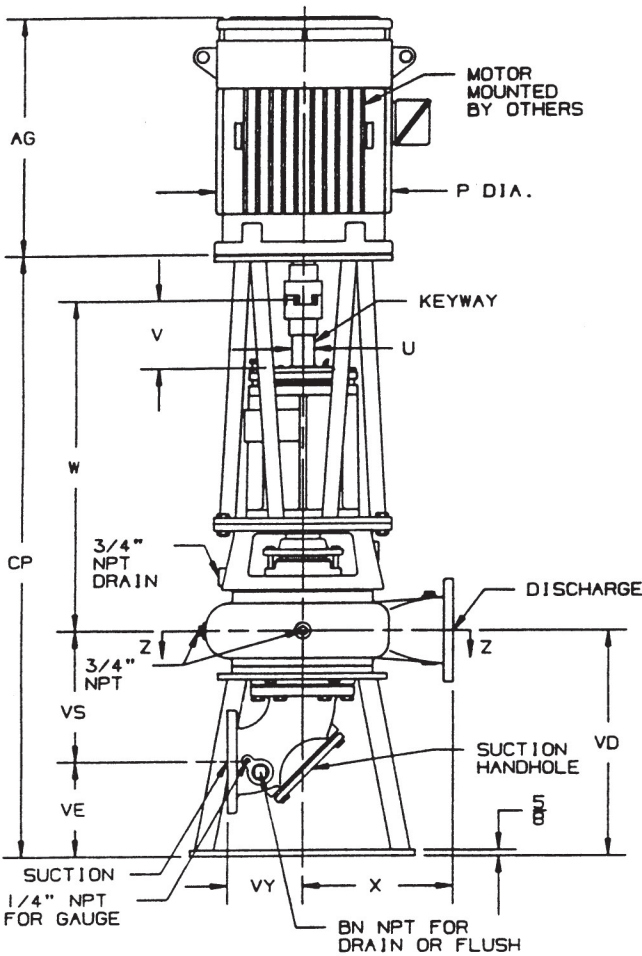
AURORA® MODEL 612A PUMP

16", 18" & 20" PUMPS
FLEXIBLE SHAFT

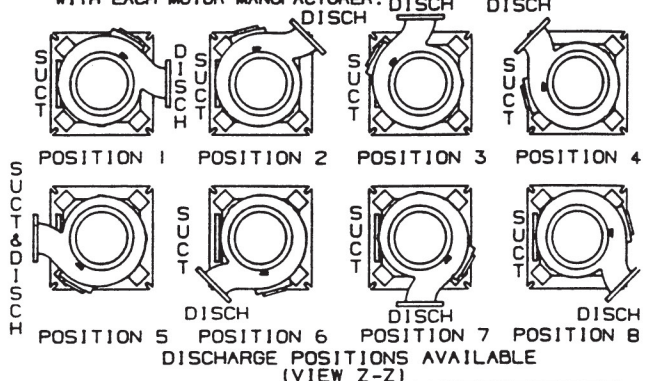


Date October 2017

Supersedes Section 610 Page 210
Dated October 1992



- NOTES:
1. ALL DIMENSIONS IN INCHES.
 2. DIMENSIONS MAY VARY $\pm 1/2"$.
 3. NOT FOR CONSTRUCTION PURPOSES UNLESS CERTIFIED.
 4. TWO (2) 1/2" NPT CONNECTIONS 180° APART, ON THE STUFFING BOX FOR LUBRICATION PURPOSES ARE FURNISHED AS STANDARD. ON PACKED PUMPS AN ALEMITE FITTING IS PROVIDED IN ONE TAP AND THE REMAINING TAP IS PLUGGED.
 5. DISCHARGE POSITION 1 IS FURNISHED AS STANDARD UNLESS SPECIFIED.
 6. SUCTION AND DISCHARGE FLANGES ARE AMERICAN STANDARD 125 LBS.
 7. HEIGHT (AG) AND DIAMETERS (P) DIMENSIONS OF MOTOR WILL VARY BASED ON MAKE AND STYLE OF MOTOR. DIMENSIONS SHOWN REFLECT AURORA STANDARD MOTORS. SEE INDIVIDUAL MOTOR SUPPLIER DIMENSIONAL DATA SHEETS FOR YOUR APPLICATION. CONDUIT BOX IS SHOWN IN APPROXIMATE LOCATION. DIMENSIONS ARE NOT SPECIFIED AS THEY VARY WITH EACH MOTOR MANUFACTURER.



POWER FRAME	U	V	KEYWAY		
			LENGTH	WIDTH	DEPTH
4C, 4D	1 1/4	3 3/16	2	1/4	1/8
5E, 5F 5G, 5H	2 3/8	6 3/8	4	5/8	5/16
6D	2 7/8	6 5/8	5	3/4	3/8
6E	2 7/8	5 3/4	4	3/4	3/8

MOTOR FRAME	254HP TO 256HP	284HPH TO 286HPH	324HP TO 326HP	364HP TO 365HP	404HP TO 405HP	LARGER THAN 405HP
P APPROX.	13	16	18	21	22	REFER TO FACTORY
AG APPROX.	20 21	22 23	25 26	25	28	

DISCH SUCT CASE BORE	POWER FRAME	A	BN	E	H	VY	W	X	CP	VD	VE	VS	HANDHOLE	
													DISCH.	SUCT.
6x6x12	4C, 4D	24	1 1/2	10 3/4	5/8	8	23 5/16	14	51 5/16	24 1/4	10 1/8	14 1/8	5x5	6
6x6x12	5E, 5F	24	1 1/2	10 3/4	5/8	8	34 3/16	14	64	24 1/4	10 1/8	14 1/8	5x5	6
6x6x12B	4C, 4D	24	1 1/2	10 3/4	5/8	8	23 7/16	16	51 5/16	24 1/8	10 1/8	14	5x5	6
6x6x12B	5E, 5F	24	1 1/2	10 3/4	5/8	8	34 5/16	16	64	24 1/8	10 1/8	14	5x5	6
6x8x15	5E, 5F	30	1 1/2	13 3/4	3/4	9	33 3/4	16	71 7/16	32 1/8	17	15 1/8	5x5	6
6x8x15	5E, 5F	30	1 1/2	13 3/4	3/4	9	34 1/16	18	72	32 3/8	17	15 3/8	5x5	6
8x8x15A	5E	30	1 1/2	13 3/4	3/4	9	34 1/8	19	72 1/16	32 3/8	14 1/4	18 1/8	5x7	6
8x10x18	5G, 5H	30	1 1/2	13 3/4	3/4	11	34 5/8	19	73 3/16	33	15 3/16	17 13/16	5x7	6
8x10x22	5G, 5H	37	1 1/2	17	7/8	11	34 5/8	22	74 11/16	34 1/2	16 5/8	17 7/8	5x7	6
10x10x15	5E, 5F	30	1 1/2	13 3/4	3/4	11	34 13/16	20	73 5/16	32 15/16	11 7/8	21 1/16	5x7	6
10x10x22	6E	37	1 1/2	17	7/8	11	37 1/8	22	77 1/16	34 1/2	16 5/8	17 7/8	5x7	6
10x12x22	5G, 5H	37	1 1/2	17	7/8	12	35 1/16	22 1/2	75 3/4	35 1/8	15 9/16	19 3/16	5x7	8
10x12x22	6D	37	1 1/2	17	7/8	12	37 9/16	22 1/2	78 1/8	35 1/8	15 9/16	19 3/16	5x7	8
12x12x22	6E	37	1 1/2	17	7/8	12	37 5/8	22 1/2	78 3/16	35 1/8	15 9/16	19 3/16	5x7	8
12x14x22A	5G, 5H	37	2 1/2	17	7/8	14	35 1/8	24	75 13/16	35 1/8	13 7/8	21 1/4	5x7	8
12x14x22A	6D	37	2 1/2	17	7/8	14	37 5/8	24	78 3/16	35 1/8	13 7/8	21 1/4	5x7	8
12x14x22B	5G, 5H	37	2 1/2	17	7/8	14	35 1/8	24	75 13/16	35 1/8	13 7/8	21 1/4	5x7	8
12x14x22B	6D	37	2 1/2	17	7/8	14	37 5/8	24	78 3/16	35 1/8	13 7/8	21 1/4	5x7	8
14x14x22A	6E	37	2 1/2	17	7/8	14	37 5/8	24	78 3/16	35 1/8	13 7/8	21 1/4	5x7	8

ADD 3/4" TO CP FOR PUMPS ON P.F. 4C, 4D WITH MOTOR FRAMES 284 HPH TO 324 HP.

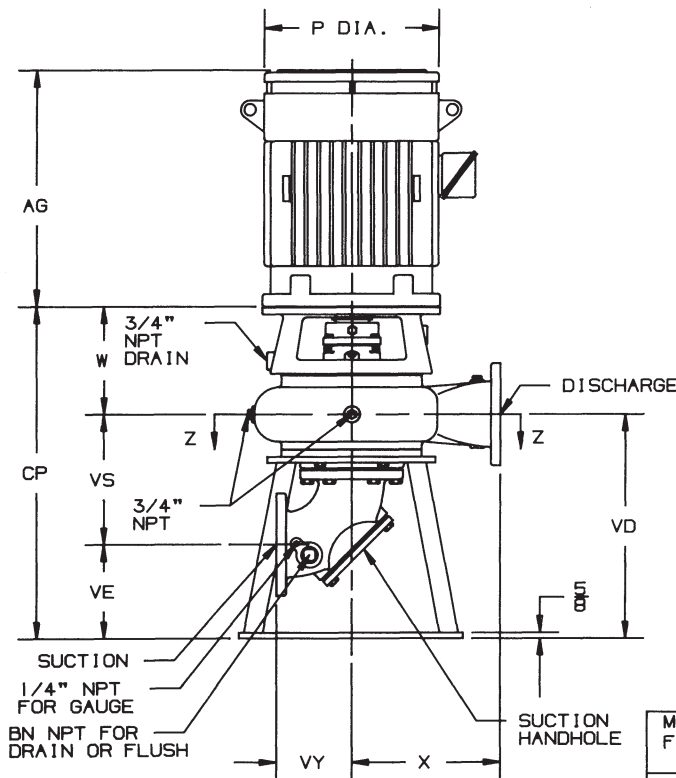
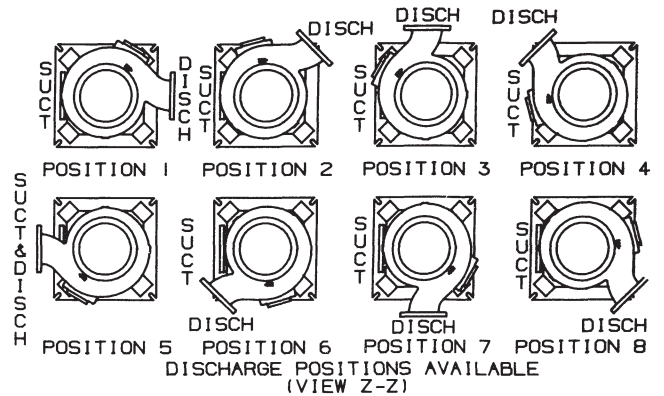
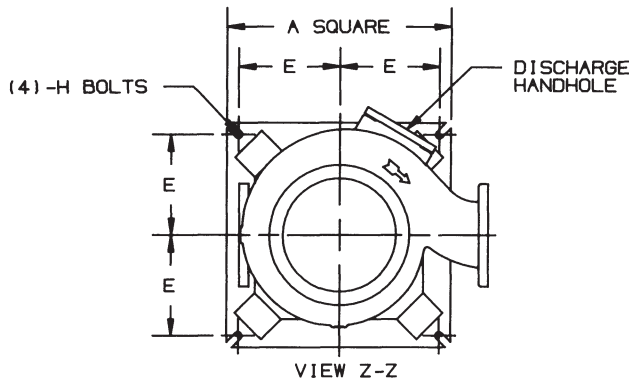
AURORA® MODEL 614A PUMP

6", 8" & 10" PUMPS

Date **October 2017**

Supersedes Section 610 Page 211

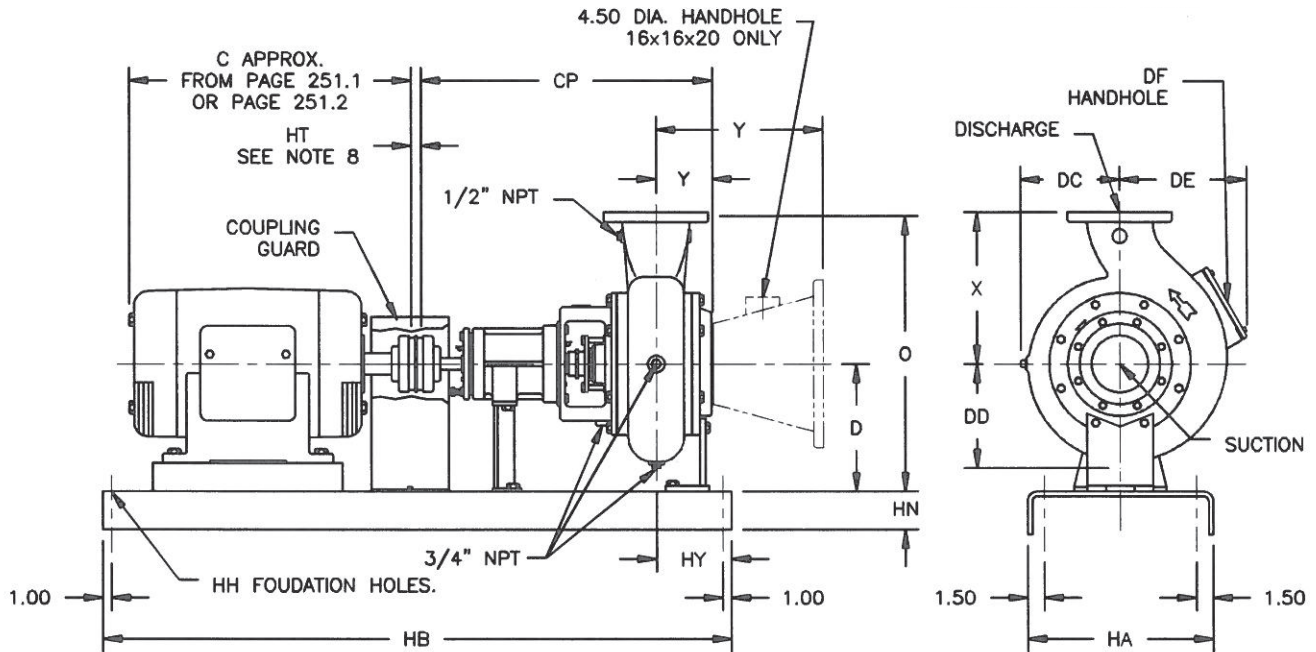
Dated August 1990



- NOTES:
1. ALL DIMENSIONS IN INCHES.
 2. DIMENSIONS MAY VARY $\pm 1/2"$.
 3. NOT FOR CONSTRUCTION PURPOSES UNLESS CERTIFIED.
 4. TWO (2) $1/2"$ NPT CONNECTIONS 180° APART, ON THE STUFFING BOX FOR LUBRICATION PURPOSES ARE FURNISHED AS STANDARD.
 5. DISCHARGE POSITION 1 IS FURNISHED AS STANDARD UNLESS SPECIFIED.
 6. SUCTION AND DISCHARGE FLANGES ARE AMERICAN STANDARD 125 LBS.
 7. HEIGHT (AG) AND DIAMETERS (P) DIMENSIONS OF MOTOR WILL VARY BASED ON MAKE AND STYLE OF MOTOR. DIMENSIONS SHOWN REFLECT AURORA STANDARD MOTORS. SEE INDIVIDUAL MOTOR SUPPLIER DIMENSIONAL DATA SHEETS FOR YOUR APPLICATION. CONDUIT BOX IS SHOWN IN APPROXIMATE LOCATION. DIMENSIONS ARE NOT SPECIFIED AS THEY VARY WITH EACH MOTOR MANUFACTURER.

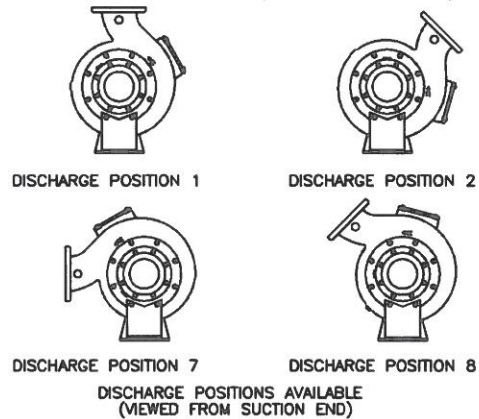
MOTOR FRAME	254TCV TO 256TCV	284TCV TO 286TCV	324TCV TO 326TCV	364TCV TO 365TCV	404TCV TO 405TCV	LARGER THAN 405TCV
P APPROX.	13	16	18	21	22	REFER TO FACTORY
AG APPROX.	20 21	22 23	25 26	25	28	

DISCH SUCT CASE BORE	MOTOR SHAFT EXT. TYPE	A	BN	E	H	VY	W	X	CP	VD	VE	VS	HANDHOLE	
													DISCH.	SUCT.
6x6x12	4C, 4D	24	1 1/2	10 3/4	5/8	8	10 1/8	14	34 3/8	24 1/4	10 1/8	14 1/8	5x5	6
6x6x12	5E, 5F	24	1 1/2	10 3/4	5/8	8	11 3/16	14	35 7/16	24 1/4	10 1/8	14 1/8	5x5	6
6x6x12B	4C, 4D	24	1 1/2	10 3/4	5/8	8	10 1/4	16	34 3/8	24 1/8	10 1/8	14	5x5	6
6x6x12B	5E, 5F	24	1 1/2	10 3/4	5/8	8	11 5/16	16	35 7/16	24 1/8	10 1/8	14	5x5	6
6x8x15	5E, 5F	30	1 1/2	13 3/4	3/4	9	10 3/4	16	42 7/8	32 1/8	17	15 1/8	5x5	6
6x8x18	5E, 5F	30	1 1/2	13 3/4	3/4	9	11 1/16	18	43 7/16	32 3/8	17	15 3/8	5x5	6
8x8x15A	5E, 5F	30	1 1/2	13 3/4	3/4	9	11 1/8	19	43 1/2	32 3/8	14 1/4	18 1/8	5x7	6
10x10x15	5E, 5F	30	1 1/2	13 3/4	3/4	11	11 1/16	20	44 5/8	32 15/16	11 7/8	21 1/16	5x7	6



NOTES:

1. ALL DIMENSIONS IN INCHES.
2. DIMENSIONS MAY VARY ± .50".
3. NOT FOR CONSTRUCTION PURPOSES UNLESS CERTIFIED.
4. TWO (2) 1/2" NPT CONNECTIONS 180° APART, ON THE STUFFING BOX FOR LUBRICATION PURPOSES ARE FURNISHED AS STANDARD. ON PACKED PUMPS AN ALEMITE FITTING IS PROVIDED IN ONE TAP AND THE REMAINING TAP IS PLUGGED.
5. DISCHARGE POSITION 1 IS FURNISHED AS STANDARD UNLESS SPECIFIED.
6. SUCTION AND DISCHARGE FLANGES ARE AMERICAN STANDARD 125 LBS.
7. CONDUIT BOX IS SHOWN IS APPROXIMATE LOCATION. DIMENSIONS ARE NOT SPECIFIED AS THEY MAY VARY WITH EACH MOTOR MANUFACTURER.
8. STANDARD COUPLING ILLUSTRATED. "HT" DIMENSION .25"-2.50". SPACER COUPLING "HT" IS 3.50"-9.00".
9. REFER TO PAGE 251.1 FOR STANDARD COUPLING BASE NUMBER SELECTION. REFER TO PAGE 251.2 FOR SPACER COUPLING BASE NUMBER SELECTION.

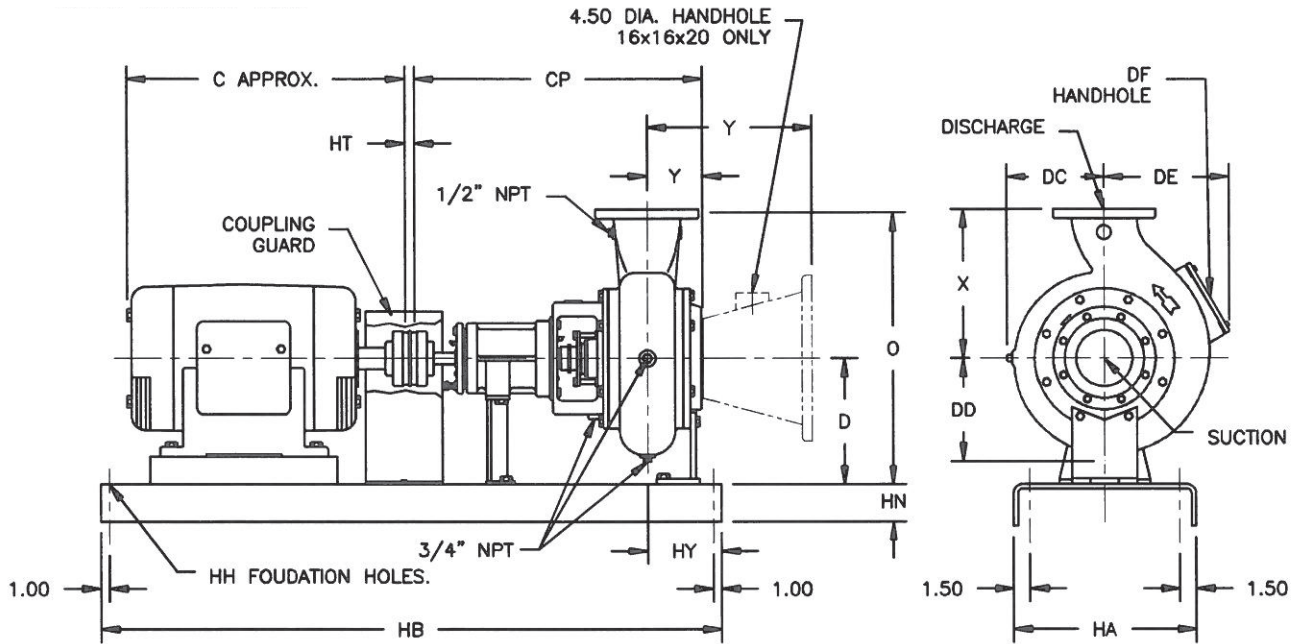


DISCH SUCT BORE CASE	FRAME POWER	D	O	X	Y	CP	DC	DD	DE	DF	HY	BASE	HA	HB	HH	HN
6x6x12	4C	13.50	27.50	14.00	6.19	29.50	9.50	10.50	13.88	5x5	8.00	3	15.00	54.00	.75	3.38
6x6x12	5E,5F	13.50	27.50	14.00	6.19	40.38	9.50	10.50	13.88	5x5	8.00	4	15.00	60.00	.75	3.38
6x6x12B	4C	13.50	29.50	16.00	6.06	29.50	10.38	11.06	13.88	5x5	8.00	5	15.00	64.00	.75	3.38
6x6x12B	5E,5F	13.50	29.50	16.00	6.06	40.38	10.38	11.06	13.88	5x5	8.00	6	15.00	70.00	.75	3.38
6x8x15	5E,5F	15.25	31.25	16.00	6.13	39.88	11.38	12.50	15.38	5x5	8.00	8	18.00	68.00	.75	4.00
6x8x18	5E,5F	17.50	35.50	18.00	6.44	40.50	13.00	14.38	16.88	5x5	8.00	9	18.00	76.00	.75	4.00
8x8x15A	5F	15.25	34.25	19.00	9.13	43.25	12.63	13.50	15.75	5x7	9.75	10	18.00	84.00	.75	4.00
8x10x18	5G,5H	17.50	36.50	19.00	6.75	41.38	12.88	14.56	16.00	5x7	8.00	16	22.00	72.00	.75	4.00
8x10x22	5G,5H	21.00	43.00	22.00	6.88	41.50	14.88	16.50	17.88	5x7	8.00	17	22.00	84.00	.75	4.00
10x10x15	5E,5F	15.25	35.25	20.00	10.06	44.88	11.63	13.63	17.50	5x7	10.00	18	22.00	96.00	.75	4.00
10x10x22	6E	21.00	43.00	22.00	6.88	44.00	15.00	16.50	18.50	5x7	8.00					
10x12x22	5G,5H	21.00	43.50	22.50	7.19	42.25	15.50	17.88	20.13	5x7	8.00					
10x12x22	6D	21.00	43.50	22.50	7.19	44.75	15.50	17.88	20.13	5x7	8.00					
12x12x22	6E	21.00	43.50	22.50	7.25	44.88	15.63	17.75	21.00	5x7	8.00					
12x14x22A	5G,5H	21.00	45.00	24.00	7.25	42.38	15.88	18.75	22.25	5x7	8.00					
12x14x22A	6D	21.00	45.00	24.00	7.25	44.88	15.88	18.75	22.25	5x7	8.00					
12x14x22B	5G,5H	21.00	45.00	24.00	7.25	42.38	15.88	18.75	22.25	5x7	8.00					
12x14x22B	6D	21.00	45.00	24.00	7.25	44.88	15.88	18.75	22.25	5x7	8.00					
14x14x22A	6E	21.00	45.00	24.00	7.25	44.88	15.88	18.75	22.25	5x7	8.00					
16x16x20	6F	24.00	56.00	32.00	23.50	63.38	17.75	20.50	24.00	6 DIA	10.25					

AURORA® MODEL 611A PUMP

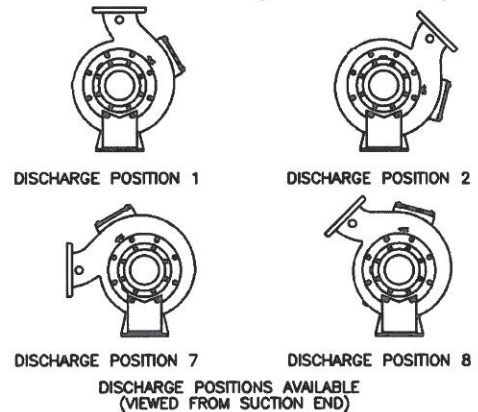
FORMED STEEL BASE

BASE SELECTIONS FOR STANDARD COUPLING

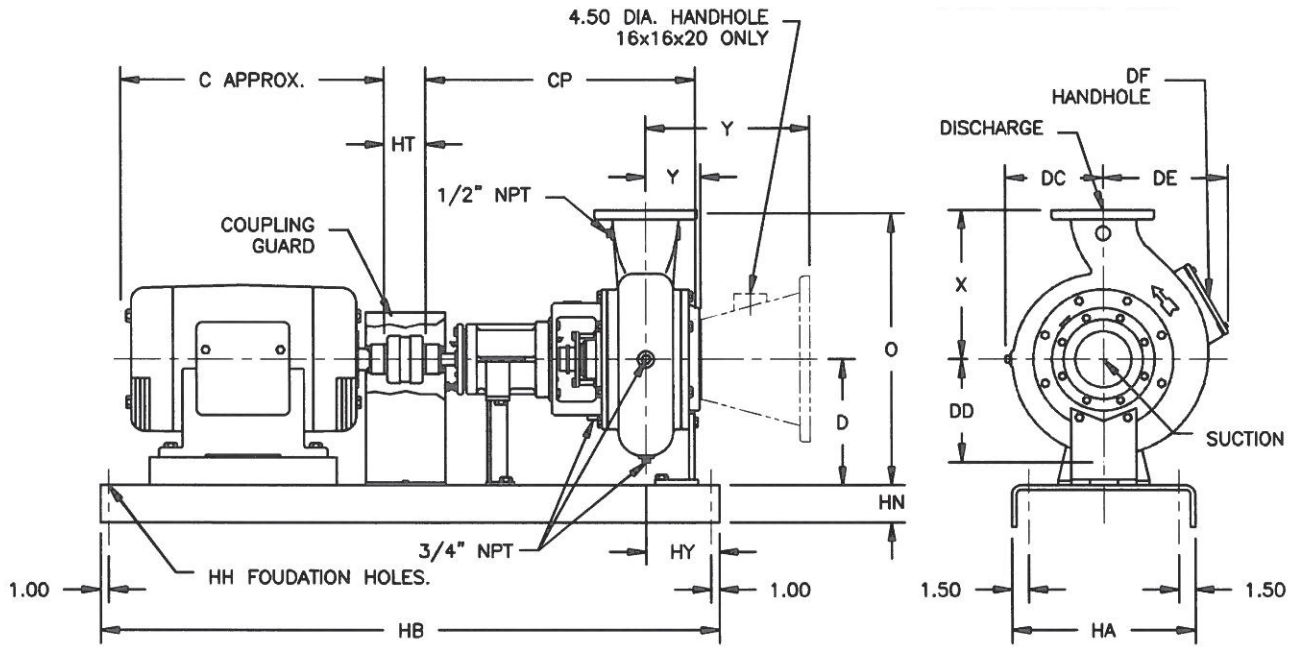


- NOTES:
 1. ALL DIMENSIONS IN INCHES.
 2. DIMENSIONS MAY VARY ± .50".
 3. NOT FOR CONSTRUCTION PURPOSES UNLESS CERTIFIED.
 4. THIS PAGE IS FOR BASE DIMENSIONS FOR ALL OTHER DIMENSIONS REFER TO PAGE 251.

BASE	HA	HB	HH	HN
2	15.00	48.00	.75	3.38
3	15.00	54.00	.75	3.38
4	15.00	60.00	.75	3.38
5	15.00	64.00	.75	3.38
6	15.00	70.00	.75	3.38
8	18.00	68.00	.75	4.00
9	18.00	76.00	.75	4.00
10	18.00	84.00	.75	4.00
16	22.00	72.00	.75	4.00
17	22.00	84.00	.75	4.00
18	22.00	96.00	.75	4.00

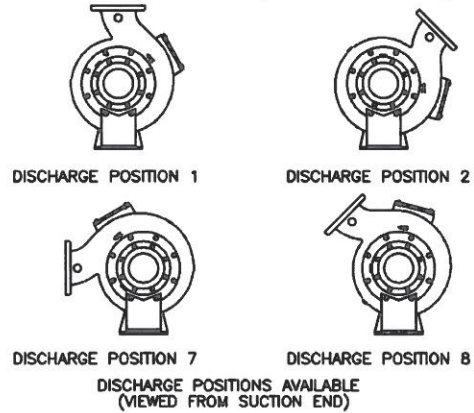


DISCH SUCT BORE CASE	FRAME POWER	FRAME	C																									
			13	14	16	18	21	23	24	22	25	24	26	25	28	26	29	27	30	28	33	30	34	31	38	34	40	36
6x6x12	4C		2	2	2	2	3	3	4	4	4	4	4	4	4	4	4	4	4	4	4	4	4	4	4	4	4	4
6x6x12	5E,5F					5	5	6	6	6	6	6	6	6	6	6	6	6	6	6	6	6	6	6	6	6	6	6
6x6x12B	4C		2	2	2	2	3	3	4	4	4	4	4	4	4	4	4	4	4	4	4	4	4	4	4	4	4	4
6x6x12B	5E,5F					5	5	6	6	6	6	6	6	6	6	6	6	6	6	6	6	6	6	6	6	6	6	6
6x8x15	5E,5F							6	6	6	6	6	6	6	6	6	6	6	6	6	6	6	6	6	6	6	6	6
6x8x18	5E,5F							8	8	8	8	8	8	8	8	8	8	8	8	8	8	8	8	8	8	8	8	8
8x8x15A	5E							6	6	6	6	6	6	6	6	6	6	6	6	6	6	6	6	6	6	6	6	6
8x10x18	5G,5H							8	8	8	8	8	8	8	8	8	8	8	8	8	8	8	8	8	8	8	8	8
8x10x22	5G,5H															16	16	16	16	16	16	16	16	16	16	16	16	16
10x10x15	5E,5F															17	17	17	17	17	17	17	17	17	17	17	17	17
10x10x22	6E																											
10x12x22	5G,5H															16	16	16	16	16	16	16	16	16	16	16	16	16
10x12x22	6D																											
12x12x22	6E																											
12x14x22A	5G,5H															16	16	16	16	16	16	16	16	16	16	16	16	16
12x14x22A	6D																											
12x14x22B	5G,5H															16	16	16	16	16	16	16	16	16	16	16	16	16
12x14x22B	6D																											
14x14x22A	6E																											
16x16x20	6F																											



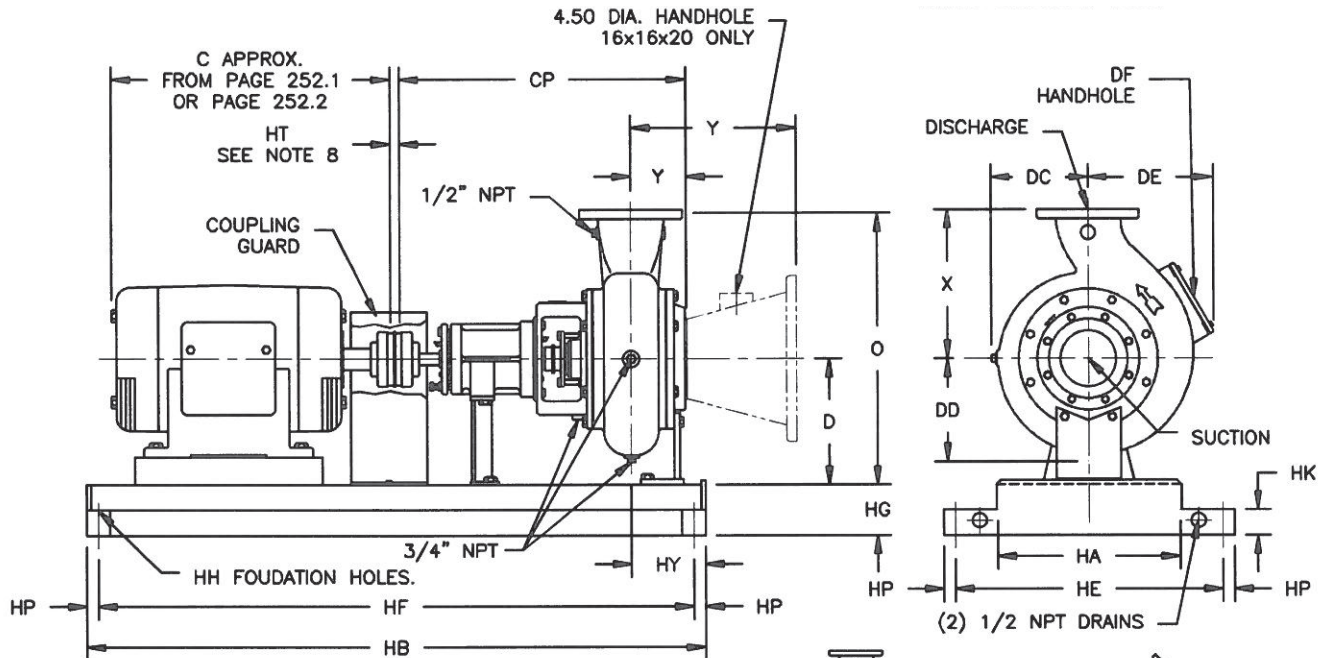
- NOTES:
 1. ALL DIMENSIONS IN INCHES.
 2. DIMENSIONS MAY VARY ± .50".
 3. NOT FOR CONSTRUCTION PURPOSES UNLESS CERTIFIED.
 4. THIS PAGE IS FOR BASE DIMENSIONS FOR ALL OTHER DIMENSIONS REFER TO PAGE 251.

BASE	HA	HB	HH	HN
2	15.00	48.00	.75	3.38
3	15.00	54.00	.75	3.38
4	15.00	60.00	.75	3.38
5	15.00	64.00	.75	3.38
6	15.00	70.00	.75	3.38
8	18.00	68.00	.75	4.00
9	18.00	76.00	.75	4.00
10	18.00	84.00	.75	4.00
16	22.00	72.00	.75	4.00
17	22.00	84.00	.75	4.00
18	22.00	96.00	.75	4.00



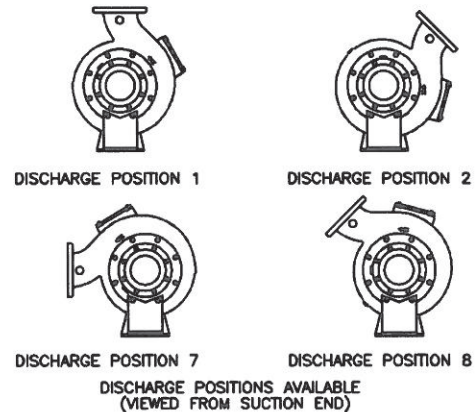
DISCH SUCT BORE CASE	FRAME POWER	FRAME																											
		182T	184T	213T	215T	254T	256T	284T	284TS	286T	286TS	324T	324TS	326T	326TS	364T	364TS	365T	365TS	404T	404TS	405T	405TS	444T	444TS	445T	445TS		
6x6x12	4C	2	2	3	3	4	4	4	4	4	4	4	4	4	4	4	4	4	4	4	4	4	4	4	4	4	4	4	
6x6x12	5F,5F																												
6x6x12B	4C	2	2	3	3	4	4	4	4	4	4	4	4	4	4	4	4	4	4	4	4	4	4	4	4	4	4	4	
6x6x12B	5F,5F																												
6x8x15	5F,5F																												
6x8x18	5F,5F																												
8x8x15A	5E																												
8x10x18	5G,5H																												
8x10x22	5G,5H																												
10x10x15	5E,5F																												
10x10x22	6E																												
10x12x22	5G,5H																												
10x12x22	6D																												
12x12x22	6E																												
12x14x22A	5G,5H																												
12x14x22A	6D																												
12x14x22B	5G,5H																												
12x14x22B	6D																												
14x14x22A	6E																												
16x16x20	6F																												

AURORA® MODEL 611A PUMP STEEL DRIP RIM BASE



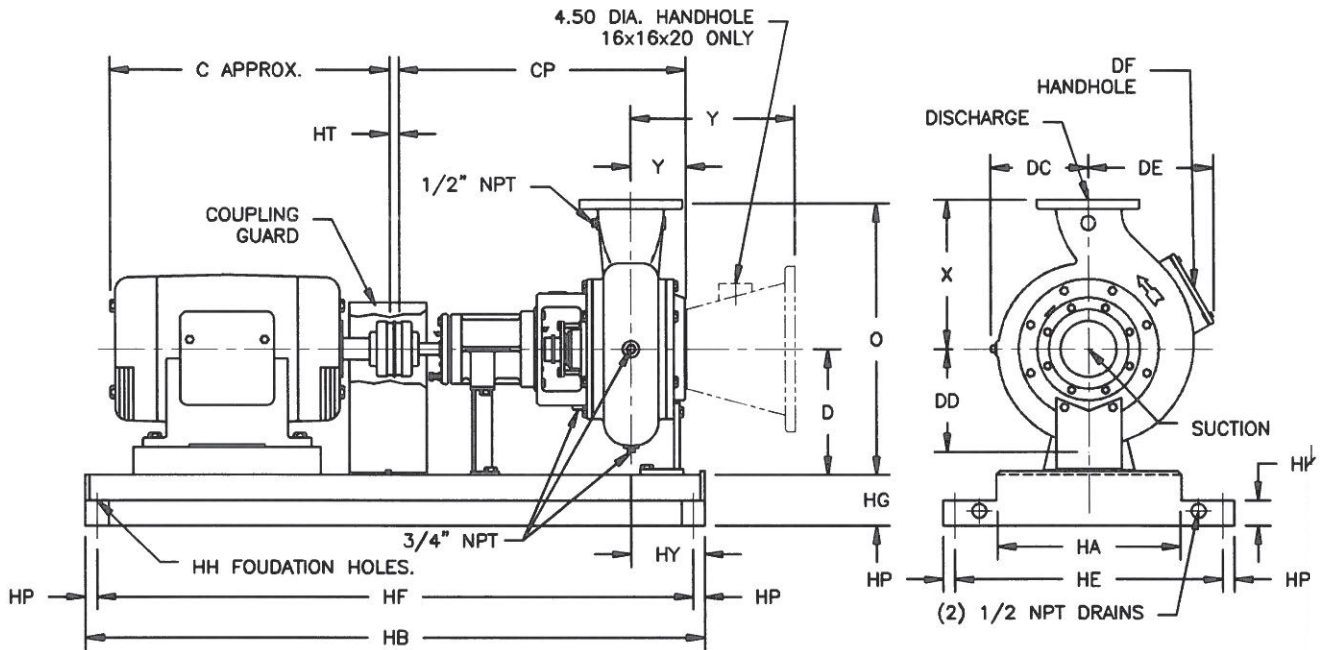
NOTES:

1. ALL DIMENSIONS IN INCHES.
2. DIMENSIONS MAY VARY ± .50".
3. NOT FOR CONSTRUCTION PURPOSES UNLESS CERTIFIED.
4. TWO (2) 1/2" NPT CONNECTIONS 180° APART, ON THE STUFFING BOX FOR LUBRICATION PURPOSES ARE FURNISHED AS STANDARD. ON PACKED PUMPS AN ALEMITE FITTING IS PROVIDED IN ONE TAP AND THE REMAINING TAP IS PLUGGED.
5. DISCHARGE POSITION 1 IS FURNISHED AS STANDARD UNLESS SPECIFIED.
6. SUCTION AND DISCHARGE FLANGES ARE AMERICAN STANDARD 125 LBS.
7. CONDUIT BOX IS SHOWN IS APPROXIMATE LOCATION. DIMENSIONS ARE NOT SPECIFIED AS THEY MAY VARY WITH EACH MOTOR MANUFACTURER.
8. STANDARD COUPLING ILLUSTRATED. "HT" DIMENSION .25"-2.50". SPACER COUPLING "HT" IS 3.50"-9.00".
9. REFER TO PAGE 252.1 FOR STANDARD COUPLING BASE NUMBER SELECTION. REFER TO PAGE 252.2 FOR SPACER COUPLING BASE NUMBER SELECTION.

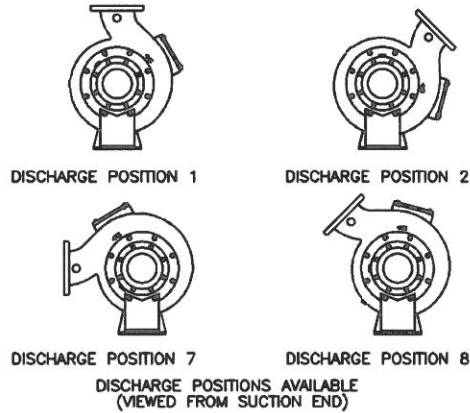


DISCH SUCTION BORE CASE	FRAME POWER	D	O	X	Y	CP	DC	DD	DE	DF	HY	BASE	SIZE	HA	HB	HE
6x6x12	4C	13.50	27.50	14.00	6.19	29.50	9.50	10.50	13.88	5x5	8.00	10	14x56	14.00	56.50	19.00
6x6x12	5E,5F	13.50	27.50	14.00	6.19	40.38	9.50	10.50	13.88	5x5	8.00	13	18x64	18.00	64.50	25.13
6x6x12B	4C	13.50	29.50	16.00	6.06	29.50	10.38	11.06	13.88	5x5	8.00	14	18x72	18.00	72.50	25.13
6x6x12B	5E,5F	13.50	29.50	16.00	6.06	40.38	10.38	11.06	13.88	5x5	8.00	17	22x74	22.00	74.50	29.13
6x8x15	5E,5F	15.25	31.25	16.00	6.13	39.88	11.38	12.50	15.38	5x5	8.00	18	22x82	22.00	82.50	29.13
6x8x18	5E,5F	17.50	35.50	18.00	6.44	40.50	13.00	14.38	16.88	5x5	8.00	19	22x90	22.00	90.50	29.13
8x8x15A	5E	15.25	34.25	19.00	9.13	43.25	12.63	13.50	15.75	5x7	9.75	21	30x110	30.00	110.50	37.13
8x10x18	5G,5H	17.50	36.50	19.00	6.75	41.38	12.88	14.56	16.00	5x7	8.00					
8x10x22	5G,5H	21.00	43.00	22.00	6.88	41.50	14.88	16.50	17.88	5x7	8.00					
10x10x15	5E,5F	15.25	35.25	20.00	10.06	44.88	11.63	13.63	17.50	5x7	11.00					
10x10x22	6E	21.00	43.00	22.00	6.88	44.00	15.00	16.50	18.50	5x7	10.00					
10x12x22	5G,5H	21.00	43.50	22.50	7.19	42.25	15.50	17.88	20.13	5x7	10.00					
10x12x22	6D	21.00	43.50	22.50	7.19	44.75	15.50	17.88	20.13	5x7	10.00					
12x12x22	6E	21.00	43.50	22.50	7.25	44.88	15.63	17.75	21.00	5x7	10.00					
12x14x22A	5G,5H	21.00	45.00	24.00	7.25	42.38	15.88	18.75	22.25	5x7	10.00					
12x14x22A	6D	21.00	45.00	24.00	7.25	44.88	15.88	18.75	22.25	5x7	10.00					
12x14x22B	5G,5H	21.00	45.00	24.00	7.25	42.38	15.88	18.75	22.25	5x7	10.00					
12x14x22B	6D	21.00	45.00	24.00	7.25	44.88	15.88	18.75	22.25	5x7	10.00					
14x14x22A	6E	21.00	45.00	24.00	7.25	44.88	15.88	18.75	22.25	5x7	10.00					
16x16x20	6F	24.00	56.00	32.00	23.50	63.38	17.75	20.50	24.00	6 DIA	11.50					

BASE	HF	HG	HH	HK	HP
10	55.00	3.00	1.00	1.50	.75
13	62.88	4.00	1.13	2.00	.81
14	70.88	4.00	1.13	2.00	.81
17	72.88	4.50	1.13	2.00	.81
18	80.88	4.50	1.13	2.00	.81
19	88.88	4.50	1.13	2.00	.81
21	108.88	4.50	1.13	2.00	.81



- NOTES:
 1. ALL DIMENSIONS IN INCHES.
 2. DIMENSIONS MAY VARY ± .50".
 3. NOT FOR CONSTRUCTION PURPOSES UNLESS CERTIFIED.
 4. THIS PAGE IS FOR BASE DIMENSIONS FOR ALL OTHER DIMENSIONS REFER TO PAGE 252.



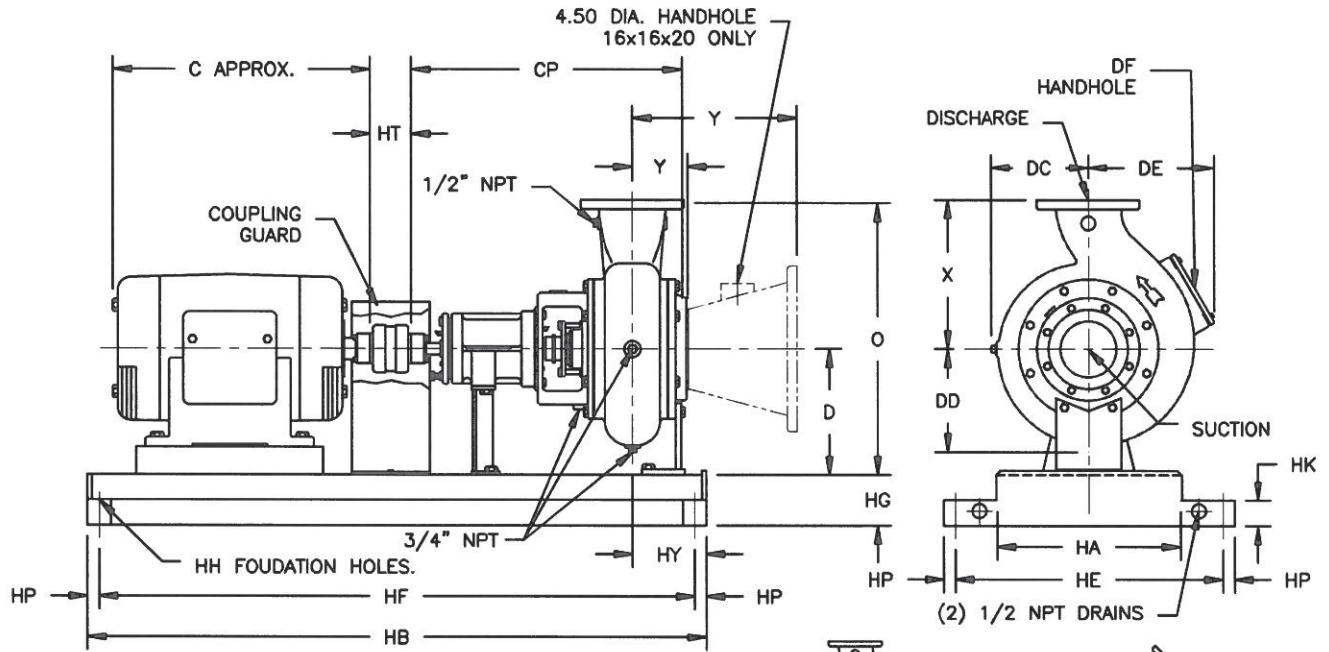
BASE	SIZE	HA	HB	HE	HF	HG	HH	HK	HP
9	14x48	14.00	48.50	19.00	57.00	3.00	1.00	1.50	.75
10	14x56	14.00	56.50	19.00	55.00	3.00	1.00	1.50	.75
13	18x64	18.00	64.50	25.13	62.88	4.00	1.13	2.00	.81
14	18x72	18.00	72.50	25.13	70.88	4.00	1.13	2.00	.81
17	22x74	22.00	74.50	29.13	72.88	4.50	1.13	2.00	.81
18	22x82	22.00	82.50	29.13	80.88	4.50	1.13	2.00	.81
19	22x90	22.00	90.50	29.13	88.88	4.50	1.13	2.00	.81
21	30x110	30.00	110.50	37.13	108.88	4.50	1.13	2.00	.81

DISCH SUCT BORE CASE	FRAME POWER	FRAME	FRAME																										
			182T	184T	213T	215T	254T	256T	284T	284TS	286T	286TS	324T	324TS	326T	326TS	364T	364TS	365T	365TS	404T	404TS	405T	405TS	444T	444TS	445T	445TS	
		C	13	14	16	18	21	23	24	22	25	24	26	25	28	26	29	27	30	28	33	30	34	31	38	34	40	36	
6x6x12	4C		9	9	9	9	10	10	10	10	10																		
6x6x12	5E,5F					13	14	14	14	14	14	14	14	14	14	14	14	14	14	14	14	18	18						
6x6x12B	4C		9	9	9	9	10	10	10	10	10																		
6x6x12B	5F,5F					13	14	14	14	14	14	14	14	14	14	14	14	14	14	14	14	18	18						
6x8x15	5E,5F								14	14	14	14	14	14	14	14	14	14	14	14	14	18	18	18	18	18	18	18	18
6x8x18	5E,5F								14	14	14	14	14	14	14	14	14	14	14	14	14	18	18	18	18	18	18	18	18
8x8x15A	5E								14	14	14	14	14	14	14	14	14	14	17	17	17	17	18	18	18	18	18	18	18
8x10x18	5G,5H								14	14	14	14	14	14	14	14	14	14	17	17	17	17	18	18	18	18	18	18	18
8x10x22	5G,5H														17	17	17	17	17	17	17	18	18	18	18	18	18	18	18
10x10x15	5E,5F								17	17	17	17	17	17	17	17	17	17	17	17	17	18	18	18	18	18	18	18	18
10x10x22	6E																				18	18	18	18	18	18	18	18	18
10x12x22	5G,5H														17	17	17	17	17	17	17	18	18	18	18	18	18	18	18
10x12x22	6D																				18	18	18	18	18	18	18	18	18
12x12x22	6E																				18	18	18	18	18	18	18	18	18
12x14x22A	5G,5H														17	17	17	17	17	17	18	18	18	18	18	18	18	18	18
12x14x22A	6D																				18	18	18	18	18	18	18	18	18
12x14x22B	5G,5H														17	17	17	17	17	17	18	18	18	18	18	18	18	18	18
12x14x22B	6D																				18	18	18	18	18	18	18	18	18
14x14x22A	6E																				18	18	18	18	18	18	18	18	18
16x16x20	6F																				18	18	19	18	19	19	19	19	19

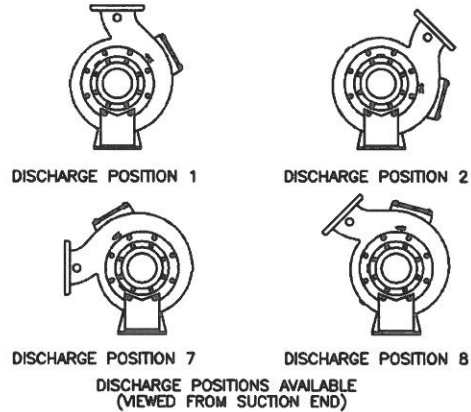
AURORA® MODEL 611A PUMP

STEEL DRIP RIM BASE

BASE SELECTIONS FOR OPTIONAL SPACER COUPLING



- NOTES:
 1. ALL DIMENSIONS IN INCHES.
 2. DIMENSIONS MAY VARY ± .50".
 3. NOT FOR CONSTRUCTION PURPOSES UNLESS CERTIFIED.
 4. THIS PAGE IS FOR BASE DIMENSIONS FOR ALL OTHER DIMENSIONS REFER TO PAGE 252.



BASE	SIZE	HA	HB	HE	HF	HG	HH	HK	HP
9	14x48	14.00	48.50	19.00	57.00	3.00	1.00	1.50	.75
10	14x56	14.00	56.50	19.00	55.00	3.00	1.00	1.50	.75
13	18x64	18.00	64.50	25.13	62.88	4.00	1.13	2.00	.81
14	18x72	18.00	72.50	25.13	70.88	4.00	1.13	2.00	.81
17	22x74	22.00	74.50	29.13	72.88	4.50	1.13	2.00	.81
18	22x82	22.00	82.50	29.13	80.88	4.50	1.13	2.00	.81
19	22x90	22.00	90.50	29.13	88.88	4.50	1.13	2.00	.81
21	30x110	30.00	110.50	37.13	108.88	4.50	1.13	2.00	.81

DISCH SUCT BORE CASE	FRAME POWER	FRAME																
		182T	184T	213T	215T	254T	256T	284T	284TS	286T	286TS	324T	324TS	326T	326TS	364T	364TS	
6x6x12	4C	9	9	10	10	10	13	13	13	13	13	13	13	13	13	13	13	13
6x6x12	5E,5F				14	14	14	14	14	17	17	17	17	17	17	17	17	17
6x6x12B	4C	9	9	10	10	10	13	13	13	13	13	13	13	13	13	13	13	13
6x6x12B	5E,5F				14	14	14	14	14	17	17	17	17	17	17	17	17	17
6x8x15	5E,5F						13	14	14	17	17	17	17	17	17	17	17	17
6x8x18	5E,5F									17	17	17	17	17	17	17	17	17
8x8x15A	5E						17	17	17	17	17	17	17	17	17	17	17	17
8x10x18	5G,5H									18	18	18	18	18	18	18	18	18
8x10x22	5G,5H										18	18	18	18	18	18	18	18
10x10x15	5E,5F						18	18	18	18	18	18	18	18	18	18	18	18
10x10x22	6E										19	19	19	19	19	19	19	19
10x12x22	5G,5H										18	18	18	18	18	18	18	18
10x12x22	6D										19	19	19	19	19	19	19	19
12x12x22	6E										19	19	19	19	19	19	19	19
12x14x22A	5G,5H										18	18	18	18	18	18	18	18
12x14x22A	6D										19	19	19	19	19	19	19	19
12x14x22B	5G,5H										18	18	18	18	18	18	18	18
12x14x22B	6D										19	19	19	19	19	19	19	19
14x14x22A	6E										19	19	19	19	19	19	19	19
16x16x20	6E										19	19	21	21	21	21	21	21