

# Dosing pumps

Diaphragm pump

50/60 Hz, 1~ & 3~

Parts list - Dismantling and assembly



V7168591 1105	GB
Repl. V7168591 0904	

DK GB D	Table of contents
---------------	-------------------

	Page
Type key	3
Nameplates	4
Dosing head, DME 0 - 48 l / h	5
Dosing head, DME 60 - 940 l / h	6
Dosing head, DMS 0 - 12 l / h	8
Dosing head, DMM	9
Non-return valves and diaphragm, DME 0 - 48 l / h	10
Non-return valves and diaphragm, DME 60 - 940 l / h	11
Non-return valves and diaphragm, DMS 0 - 12 l / h	12
Non-return valves and diaphragm, DMM	13
Diaphragm, DME	14
Diaphragm, DMS	15
Diaphragm, DMM	16
Non-return valves, DME 0 - 48 l / h	17
Non-return valves, DME 60 - 940 l / h	18
Non-return valves, DMS 0 - 12 l / h	19
Non-return valves, DMM	20
Venting valve kit, DME & DMS	21
Ball kit for valves	21
Control unit, DMM-AR	22
Power cord kit, DME and DMS	22
Leak detector, DME 60 to 940	22
Dismantling / assembly dosing head, DME 0-48 l / h, DMS	23
Dismantling / assembly dosing head, DME 60 - 940 l / h	25
Dismantling / assembly dosing head, DMM 4 to DMM 390	27
Dismantling / assembly dosing head, DMM 440 to DMM 990	29
Replacing the control unit, DMM-AR	31
Dimensions, DME	33
Dimensions, DMS	34
Dimensions, DMM	35

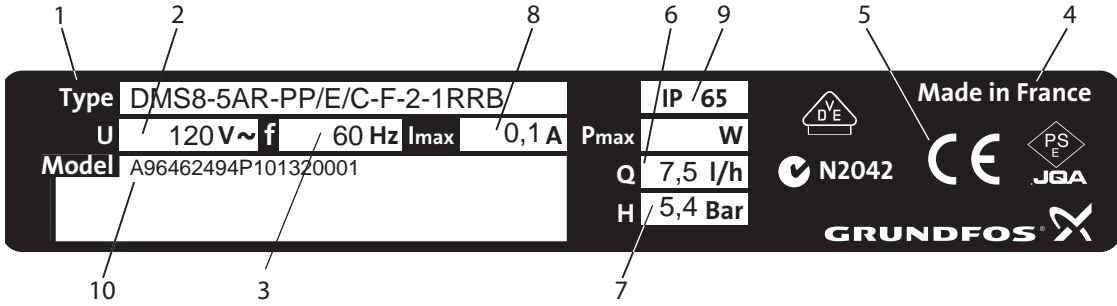
## Type key

Example	DME 2 - 18 A - PP / E / C - F - 1 1 1G F
Type range	
Maximum capacity [l / h]	
Maximum pressure [bar]	
Code for control variant	
Code for dosing head material	
Code for gasket material	
Code for valve ball material	
Code for control panel position	
Code for supply voltage	
Code for valves	
Code for connection suction / discharge	
Code for mains plug	

## Type key (codes)

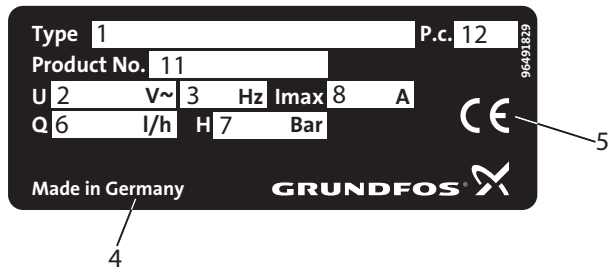
Example	A - PP / E / C - F - 1 1 1 F
<b>Control variant</b>	
A Standard	
AR A + alarm relay	
AP A + Profibus	
AG A + GENIbus	
B Basic	
D Only on / off	
<b>Dosing head material</b>	
PP Polypropylene	
PV PVDF	
SS Stainless steel	
<b>Gasket material</b>	
A Centellen C	
E EPDM	
H CSM	
T PTFE	
V FKM	
<b>Valve ball material</b>	
C Ceramic	
SS Stainless steel 1.4401	
G Glass	
Y Hastelloy C	
<b>Control panel position</b>	
F Front-fitted	
S Side-fitted	
X No control panel	
<b>Supply voltage</b>	
<b>0 Without motor</b>	
1 1 x 230 V, 50 Hz	
2 1 x 120 V, 60 Hz	
3 1 x 100-240 V, 50-60 Hz	
4 3 x 230 / 400 V, 50 Hz	
5 3 x 230 / 460 V, 60 Hz	
6 1 x 110 V, 50 Hz	
7 3 x 575 V, 60 Hz	
8 1 x 100 V, 50 / 60 Hz	
9 1 x 200 V, 50 / 60 Hz	
<b>Valves</b>	
1 Standard valve	
2 Spring-loaded valve	
<b>Connection suction / discharge</b>	
Tubing 6 / 9 mm	
1 Tubing 4 / 6 mm supplied with the pump	
Tubing 6 / 9 mm	
2 Tubing 6 / 12 + 9 / 12 mm supplied with the pump	
3 Tubing 4 / 6 mm	
4 Tubing 6 / 9 mm	
5 Tubing 6 / 12 mm	
6 Tubing 9 / 12 mm	
T Tubing 0.125" / 0.25"	
R Tubing 0.25" / 0.375"	
S Tubing 0.375" / 0.5"	
A Threaded Rp 1 / 4	
B Threaded Rp 3 / 8	
V Threaded NPT 1 / 4"	
Y Threaded NPT 3 / 8"	
E Cementing d.10 mm	
F Cementing d.12 mm	
Q Tubing 19 / 27 + 25 / 34	
W Tubing 32 / 41 + 38 / 48	
A1 Threaded Rp 3 / 4"	
A2 Threaded Rp 1 1 / 4"	
<b>Mains plug</b>	
F EU (Schuko)	
B USA, Canada (120 V)	
G UK	
I Australia	
E Switzerland	
J Japan	

**Nameplate, DME, DMS**



TM01 9980 1003

**Nameplate, DMM**



TM01 9992 1003

Pos.	Description
1	DME, DMS: Product number, serial number, year-week code DMM: Type designation
2	Voltage
3	Frequency
4	Country of origin
5	Marks of approval, CE-mark etc.
6	Max. capacity [l / h]
7	Max. pressure [bar]
8	Max. current [A]
9	Enclosure class
10	Type designation
11	DMM: Product number
12	DMM: Year-week code

DK GB D	Dosing head, DME 0 - 48 l / h	<h1>Dosing</h1>
---------------	-------------------------------	-----------------

### Dosing head, DME

Pump size	Valves	Materials dosing head / gaskets / valve balls	Product numbers pos. 2 + 3 x 3 + 2 x 9 + 13 + 14 + 15 + 18
DME 2	Standard	PP / EPDM / ceramic	96440665
		PP / FKM / ceramic	96446814
		PVDF / FKM / ceramic	96440667
		Stainless steel / FKM / stainless steel	96440669
	Spring-loaded	PP / EPDM / ceramic	96440666
		PP / FKM / ceramic	96446815
		PVDF / FKM / ceramic	96440668
		Stainless steel / FKM / stainless steel	96440670
DME 8	Standard	PP / EPDM / ceramic	96440671
		PP / FKM / ceramic	96446816
		PVDF / FKM / ceramic	96440673
		Stainless steel / FKM / stainless steel	96440675
	Spring-loaded	PP / EPDM / ceramic	96440672
		PP / FKM / ceramic	96446817
		PVDF / FKM / ceramic	96440674
		Stainless steel / FKM / stainless steel	96440676
DME 12	Standard	PP / EPDM / ceramic	96440659
		PP / FKM / ceramic	96446812
		PVDF / FKM / ceramic	96440661
		Stainless steel / FKM / stainless steel	96440663
	Spring-loaded	PP / EPDM / ceramic	96440660
		PP / FKM / ceramic	96446813
		PVDF / FKM / ceramic	96440662
		Stainless steel / FKM / stainless steel	96440664
DME 19	Standard	PP / EPDM / ceramic	96440647
		PP / FKM / ceramic	96446808
		PVDF / FKM / ceramic	96440649
		Stainless steel / FKM / stainless steel	96440651
	Spring-loaded	PP / EPDM / ceramic	96440648
		PP / FKM / ceramic	96446809
		PVDF / FKM / ceramic	96440650
		Stainless steel / FKM / stainless steel	96440652
DME 48	Standard	PP / EPDM / ceramic	96440653
		PP / FKM / ceramic	96446810
		PVDF / FKM / ceramic	96440655
		Stainless steel / FKM / stainless steel	96440657
	Spring-loaded	PP / EPDM / ceramic	96440654
		PP / FKM / ceramic	96446811
		PVDF / FKM / ceramic	96440656
		Stainless steel / FKM / stainless steel	96440658



TM02 0548 4800

**Dosing head, DME**

Pump size	Valves	Materials	Connection	Product numbers pos. 3 + 2 x 14 + 2 x 13 + 2
DME 60	Standard	PP / EPDM / ceramics	Hose clamp	96520454
		PP / FKM / ceramics	Hose clamp	96520455
		PVDF / FKM / ceramics	Hose clamp	96520456
		Stainless steel / FKM / Stainless steel	RP ¾"	96520458
		PP / EPDM / ceramics	NPT ¾"	96549401
		PP / FKM / ceramics	NPT ¾"	96549402
		PVDF / FKM / ceramics	NPT ¾"	96549403
		Stainless steel / FKM / Stainless steel	NPT ¾"	96549404
	Spring loaded	PP / EPDM / ceramics	Hose clamp	96520459
		PP / FKM / ceramics	Hose clamp	96520460
		PVDF / FKM / ceramics	Hose clamp	96520461
		Stainless steel / FKM / Stainless steel	RP ¾"	96520462
		PP / EPDM / ceramics	NPT ¾"	96549405
		PP / FKM / ceramics	NPT ¾"	96549406
PVDF / FKM / ceramics		NPT ¾"	96549407	
Stainless steel / FKM / Stainless steel		NPT ¾"	96549408	
DME 150	Standard	PP / EPDM / ceramics	Hose clamp	96520463
		PP / FKM / ceramics	Hose clamp	96520464
		PVDF / FKM / ceramics	Hose clamp	96520465
		Stainless steel / FKM / Stainless steel	RP ¾"	96520466
		PP / EPDM / ceramics	NPT ¾"	96549409
		PP / FKM / ceramics	NPT ¾"	96549431
		PVDF / FKM / ceramics	NPT ¾"	96549432
		Stainless steel / FKM / Stainless steel	NPT ¾"	96549433
	Spring loaded	PP / EPDM / ceramics	Hose clamp	96520467
		PP / FKM / ceramics	Hose clamp	96520468
		PVDF / FKM / ceramics	Hose clamp	96520469
		Stainless steel / FKM / Stainless steel	RP ¾"	96520470
		PP / EPDM / ceramics	NPT ¾"	96549434
		PP / FKM / ceramics	NPT ¾"	96549435
PVDF / FKM / ceramics		NPT ¾"	96549436	
Stainless steel / FKM / Stainless steel		NPT ¾"	96549437	
DME 376	Standard	PP / EPDM / glass	Hose clamp	96520471
		PP / FKM / glass	Hose clamp	96520472
		PVDF / FKM / glass	Hose clamp	96520473
		Stainless steel / FKM / Stainless steel	RP 1¼"	96520474
		PP / EPDM / glass	NPT 1¼"	96561182
		PP / FKM / glass	NPT 1¼"	96561183
		PVDF / FKM / glass	NPT 1¼"	96561184
		Stainless steel / FKM / glass	NPT 1¼"	96561185
	Spring loaded	PP / EPDM / glass	Hose clamp	96520475
		PP / FKM / glass	Hose clamp	96520476
		PVDF / FKM / glass	Hose clamp	96520477
		Stainless steel / FKM / Stainless steel	RP 1¼"	96520478
		PP / EPDM / glass	NPT 1¼"	96561186
		PP / FKM / glass	NPT 1¼"	96561187
PVDF / FKM / glass		NPT 1¼"	96561188	
Stainless steel / FKM / glass		NPT 1¼"	96561189	

Pump size	Valves	Materials	Connection	Product numbers pos. 3 + 2 x 14 + 2 x 13 + 2
DME 940	Standard	PP / EPDM / glass	RP 1¼"	96520479
		PP / FKM / glass	RP 1¼"	96520480
		PVDF / FKM / glass	RP 1¼"	96520481
		Stainless steel / FKM / Stainless steel	RP 1¼"	96520482
		PP / EPDM / glass	NPT 1¼"	96561200
		PP / FKM / glass	NPT 1¼"	96561201
		PVDF / FKM / glass	NPT 1¼"	96561202
		Stainless steel / FKM / glass	NPT 1¼"	96561203
	Spring loaded	PP / EPDM / glass	RP 1¼"	96520483
		PP / FKM / glass	RP 1¼"	96520484
		PVDF / FKM / glass	RP 1¼"	96520485
		Stainless steel / FKM / Stainless steel	RP 1¼"	96520486
		PP / EPDM / glass	NPT 1¼"	96561204
		PP / FKM / glass	NPT 1¼"	96561205
		PVDF / FKM / glass	NPT 1¼"	96561206
		Stainless steel / FKM / glass	NPT 1¼"	96561207



TM02 9107 1904

## Dosing head, DMS

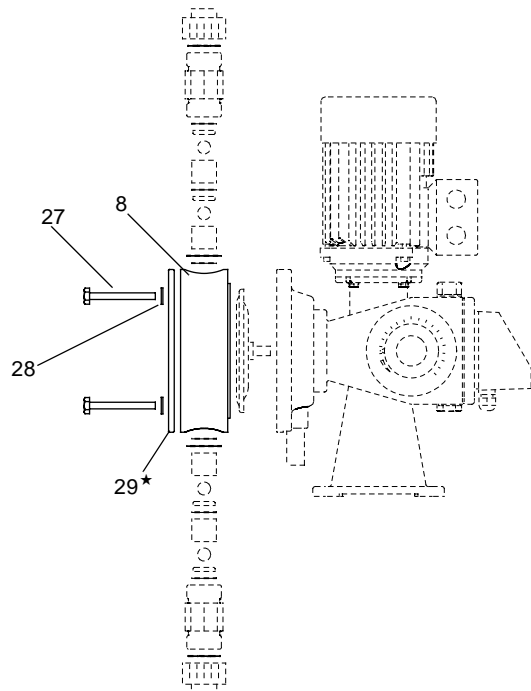
Pump size	Valves	Materials dosing head / gaskets / valve balls	Product numbers pos. 2 + 3 x 3 + 2 x 9 + 13 + 14 + 15 + 18
DMS 2	Standard	PP / EPDM / ceramic	96440665
		PP / FKM / ceramic	96446814
		PVDF / FKM / ceramic	96440667
		Stainless steel / FKM / stainless steel	96440669
	Spring-loaded	PP / EPDM / ceramic	96440666
		PP / FKM / ceramic	96446815
		PVDF / FKM / ceramic	96440668
		Stainless steel / FKM / stainless steel	96440670
DMS 4	Standard	PP / EPDM / ceramic	96440699
		PP / FKM / ceramic	96446818
		PVDF / FKM / ceramic	96440701
		Stainless steel / FKM / stainless steel	96440703
	Spring-loaded	PP / EPDM / ceramic	96440700
		PP / FKM / ceramic	96446819
		PVDF / FKM / ceramic	96440702
		Stainless steel / FKM / stainless steel	96440704
DMS 8	Standard	PP / EPDM / ceramic	96440671
		PP / FKM / ceramic	96446816
		PVDF / FKM / ceramic	96440673
		Stainless steel / FKM / stainless steel	96440675
	Spring-loaded	PP / EPDM / ceramic	96440672
		PP / FKM / ceramic	96446817
		PVDF / FKM / ceramic	96440674
		Stainless steel / FKM / stainless steel	96440676
DMS 12	Standard	PP / EPDM / ceramic	96440659
		PP / FKM / ceramic	96446812
		PVDF / FKM / ceramic	96440661
		Stainless steel / FKM / stainless steel	96440663
	Spring-loaded	PP / EPDM / ceramic	96440660
		PP / FKM / ceramic	96446813
		PVDF / FKM / ceramic	96440662
		Stainless steel / FKM / stainless steel	96440664





**Dosing head, DMM**

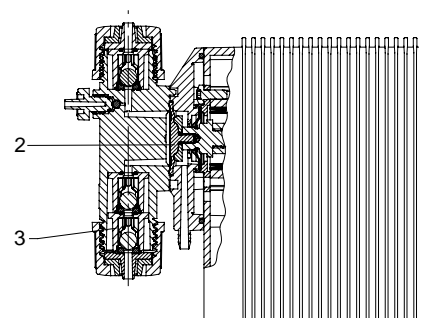
Pump size	Materials dosing head / gaskets / valve balls	Product numbers pos. 8 + 4 x 27 + 4 x 28 + 29*
DMM 4 DMM 8 DMM 15 DMM 23	PP / EPDM / glass  Stainless steel / PTFE / stainless steel	96440689  96440691
DMM 48 DMM 72	PP / hypalon / ceramic Stainless steel / asbestos-free / stainless steel	96440695 96440697
DMM 110 DMM 155	PP / hypalon / glass Stainless steel / asbestos-free / stainless steel	96440677 96440679
DMM 160 DMM 210 DMM 260	PP / hypalon / glass Stainless steel / asbestos-free / stainless steel	96440681 96440683
DMM 290 DMM 390	PP / hypalon / glass Stainless steel / asbestos-free / stainless steel	96440685 96440687
DMM 440 DMM 640 DMM 990	PP / hypalon / PVDF Stainless steel / asbestos-free / stainless steel	96440693 96440694



★ Only for DMM 110 to DMM 990

**Valves and diaphragm, DME**

Pump size	Valves	Materials dosing head / gaskets / valve balls	Valves and diaphragm pos. 2 + 3 x pos. 3
DME 2	Standard	PP / EPDM / ceramic	96441131
		PP / FKM / ceramic	96446774
		PVDF / FKM / ceramic	96441133
		Stainless steel / FKM / stainless steel	96441135
	Spring-loaded	PP / EPDM / ceramic	96441132
		PP / FKM / ceramic	96446775
		PVDF / FKM / ceramic	96441134
		Stainless steel / FKM / stainless steel	96441136
DME 8	Standard	PP / EPDM / ceramic	96441149
		PP / FKM / ceramic	96446780
		PVDF / FKM / ceramic	96441151
		Stainless steel / FKM / stainless steel	96441153
	Spring-loaded	PP / EPDM / ceramic	96441150
		PP / FKM / ceramic	96446781
		PVDF / FKM / ceramic	96441152
		Stainless steel / FKM / stainless steel	96441154
DME 12	Standard	PP / EPDM / ceramic	96441125
		PP / FKM / ceramic	96446772
		PVDF / FKM / ceramic	96441127
		Stainless steel / FKM / stainless steel	96441129
	Spring-loaded	PP / EPDM / ceramic	96441126
		PP / FKM / ceramic	96446773
		PVDF / FKM / ceramic	96441128
		Stainless steel / FKM / stainless steel	96441130
DME 19	Standard	PP / EPDM / ceramic	96441137
		PP / FKM / ceramic	96446776
		PVDF / FKM / ceramic	96441139
		Stainless steel / FKM / stainless steel	96441141
	Spring-loaded	PP / EPDM / ceramic	96441138
		PP / FKM / ceramic	96446777
		PVDF / FKM / ceramic	96441140
		Stainless steel / FKM / stainless steel	96441142
DME 48	Standard	PP / EPDM / ceramic	96441143
		PP / FKM / ceramic	96446778
		PVDF / FKM / ceramic	96441145
		Stainless steel / FKM / stainless steel	96441147
	Spring-loaded	PP / EPDM / ceramic	96441144
		PP / FKM / ceramic	96446779
		PVDF / FKM / ceramic	96441146
		Stainless steel / FKM / stainless steel	96441148

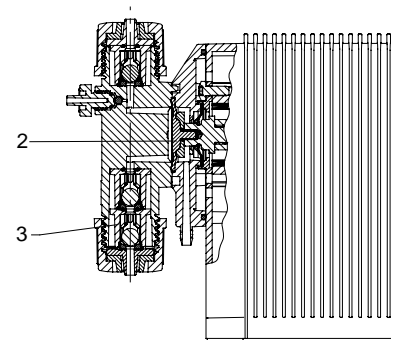


Pump size	Valves	Materials dosing head / gaskets / valve balls	Valves and diaphragm pos. 2 + 2 x pos. 14
DME 60	Standard	PP / EPDM / ceramics	96520364
		PP / FKM / ceramics	96520365
		PVDF / FKM / ceramics	96520366
		Stainless steel / FKM / Stainless steel	96520367
	Spring loaded	PP / EPDM / ceramics	96520368
		PP / FKM / ceramics	96520369
		PVDF / FKM / ceramics	96520370
		Stainless steel / FKM / Stainless steel	96520371
DME 150	Standard	PP / EPDM / ceramics	96520372
		PP / FKM / ceramics	96520373
		PVDF / FKM / ceramics	96520374
		Stainless steel / FKM / Stainless steel	96520375
	Spring loaded	PP / EPDM / ceramics	96520376
		PP / FKM / ceramics	96520377
		PVDF / FKM / ceramics	96520378
		Stainless steel / FKM / Stainless steel	96520379
DME 376	Standard	PP / EPDM / glass	96520380
		PP / FKM / glass	96520381
		PVDF / FKM / glass	96520382
		Stainless steel / FKM / Stainless steel	96520383
	Spring loaded	PP / EPDM / glass	96520384
		PP / FKM / glass	96520385
		PVDF / FKM / glass	96520386
		Stainless steel / FKM / Stainless steel	96520387
DME 940	Standard	PP / EPDM / glass	96520391
		PP / FKM / glass	96520393
		PVDF / FKM / glass	96520395
		Stainless steel / FKM / Stainless steel	96520397
	Spring loaded	PP / EPDM / glass	96520399
		PP / FKM / glass	96520400
		PVDF / FKM / glass	96520401
		Stainless steel / FKM / Stainless steel	96520402



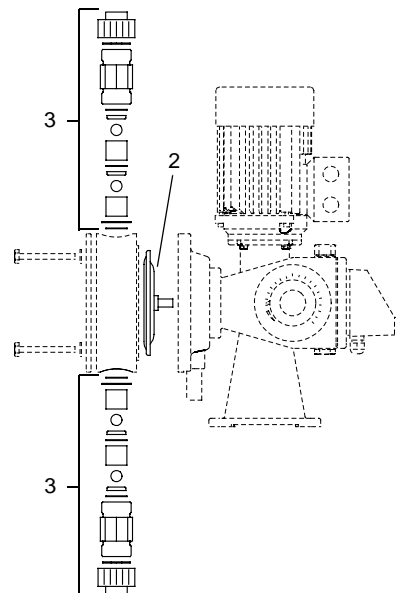
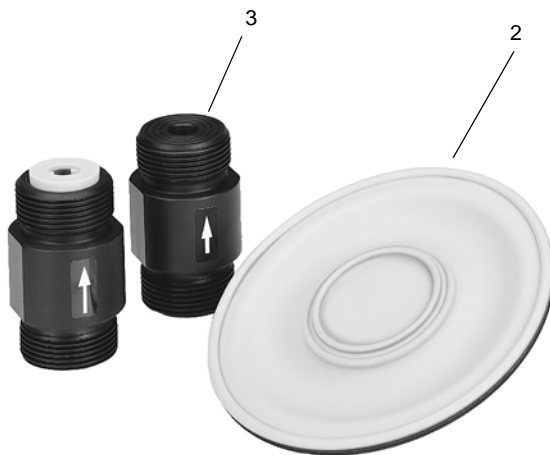
**Valves and diaphragm, DMS**

Pump size	Valves	Materials dosing head / gaskets / valve balls	Valves and diaphragm pos. 2 + 3 x pos. 3
DMS 2	Standard	PP / EPDM / ceramic	96441131
		PP / FKM / ceramic	96446774
		PVDF / FKM / ceramic	96441133
		Stainless steel / FKM / stainless steel	96441135
	Spring-loaded	PP / EPDM / ceramic	96441132
		PP / FKM / ceramic	96446775
		PVDF / FKM / ceramic	96441134
		Stainless steel / FKM / stainless steel	96441136
DMS 4	Standard	PP / EPDM / ceramic	96441177
		PP / FKM / ceramic	96446782
		PVDF / FKM / ceramic	96441179
		Stainless steel / FKM / stainless steel	96441181
	Spring-loaded	PP / EPDM / ceramic	96441178
		PP / FKM / ceramic	96446783
		PVDF / FKM / ceramic	96441180
		Stainless steel / FKM / stainless steel	96441182
DMS 8	Standard	PP / EPDM / ceramic	96441149
		PP / FKM / ceramic	96446780
		PVDF / FKM / ceramic	96441151
		Stainless steel / FKM / stainless steel	96441153
	Spring-loaded	PP / EPDM / ceramic	96441150
		PP / FKM / ceramic	96446781
		PVDF / FKM / ceramic	96441152
		Stainless steel / FKM / stainless steel	96441154
DMS 12	Standard	PP / EPDM / ceramic	96441125
		PP / FKM / ceramic	96446772
		PVDF / FKM / ceramic	96441127
		Stainless steel / FKM / stainless steel	96441129
	Spring-loaded	PP / EPDM / ceramic	96441126
		PP / FKM / ceramic	96446773
		PVDF / FKM / ceramic	96441128
		Stainless steel / FKM / stainless steel	96441130



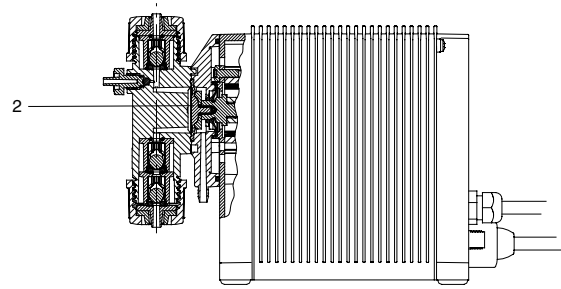
## Valves and diaphragm, DMM

Pump size	Valves	Materials dosing head / gaskets / valve balls	Product numbers pos. 2 + 2 x pos. 3
DMM 4 DMM 8 DMM 15 DMM 23	Standard	PP / EPDM / glass	96441167
		Stainless steel / PTFE / stainless steel	96441169
DMM 48 DMM 72	Spring-loaded	PP / EPDM / glass	96441168
		Stainless steel / PTFE / stainless steel	96441170
DMM 110 DMM 155	Standard	PP / hypalon / ceramic	96441173
		Stainless steel / asbestos-free / stainless steel	96441175
	Spring-loaded	PP / hypalon / ceramic	96441174
		Stainless steel / asbestos-free / stainless steel	96441176
DMM 160 DMM 210 DMM 260	Standard	PP / hypalon / glass	96441155
		Stainless steel / asbestos-free / stainless steel	96441157
	Spring-loaded	PP / hypalon / glass	96441156
		Stainless steel / asbestos-free / stainless steel	96441158
DMM 290 DMM 390	Standard	PP / hypalon / glass	96441159
		Stainless steel / asbestos-free / stainless steel	96441161
	Spring-loaded	PP / hypalon / glass	96441160
		Stainless steel / asbestos-free / stainless steel	96441162
DMM 440 DMM 640 DMM 990	Standard	PP / hypalon / glass	96441163
		Stainless steel / asbestos-free / stainless steel	96441165
	Spring-loaded	PP / hypalon / glass	96441164
		Stainless steel / asbestos-free / stainless steel	96441166
DMM 440 DMM 640 DMM 990	Spring-loaded	PP / hypalon / PVDF	96441171
		Stainless steel / asbestos-free / stainless steel	96441172



## Diaphragm, DME 0 - 48 l / h

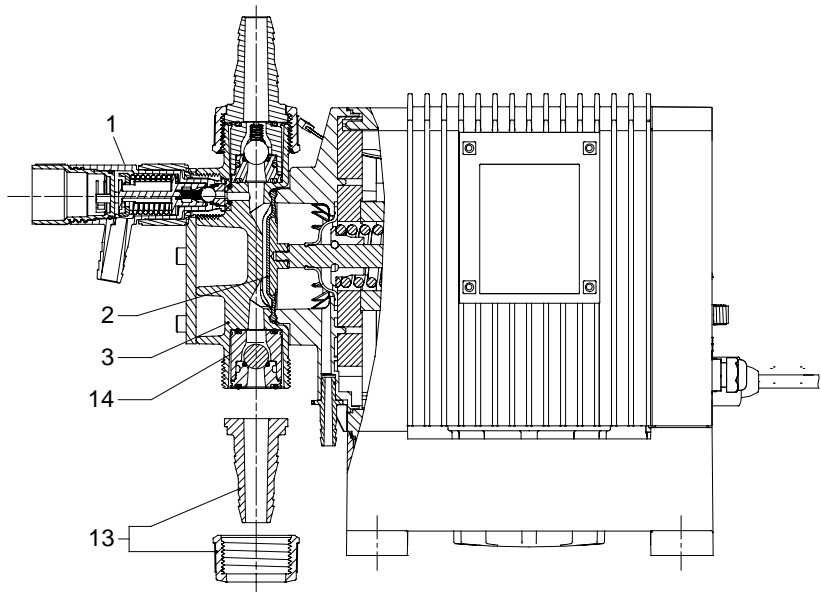
Pump size	Materials	Diaphragm pos. 2
DME 2	Textile-reinforced EPDM, PTFE-coated	96440740
DME 8	Textile-reinforced EPDM, PTFE-coated	96440743
DME 12	Textile-reinforced EPDM, PTFE-coated	96440739
DME 19	Textile-reinforced EPDM, PTFE-coated	96440741
DME 48	Textile-reinforced EPDM, PTFE-coated	96440742



TM02 0653 5000 / TM02 8980 1304

## Diaphragm, DME 60 - 940 l / h

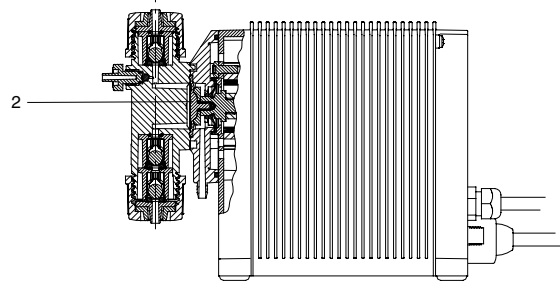
Pump size	Materials	Diaphragm pos. 2
DME 60	Textile-reinforced EPDM, PTFE-coated	96519470
DME 150	Textile-reinforced EPDM, PTFE-coated	96519471
DME 375	Textile-reinforced EPDM, PTFE-coated	96519472
DME 940	Textile-reinforced EPDM, PTFE-coated	96519473



TM02 9107 1904

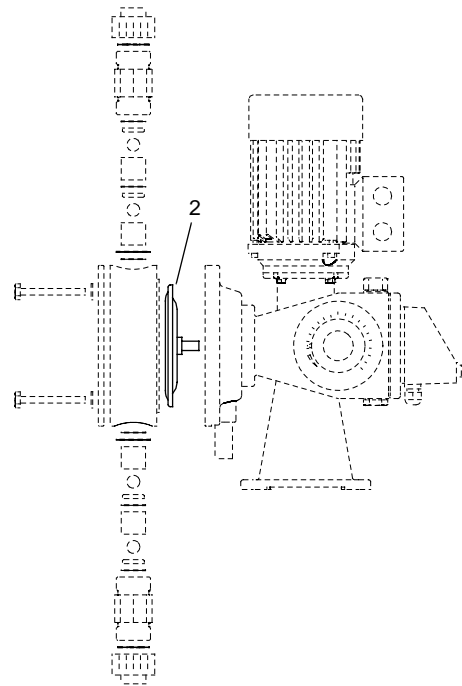
## Diaphragm, DMS

Pump size	Materials	Diaphragm pos. 2
DMS 2	Textile-reinforced EPDM, PTFE-coated	96440740
DMS 4	Textile-reinforced EPDM, PTFE-coated	96440750
DMS 8	Textile-reinforced EPDM, PTFE-coated	96440743
DMS 12	Textile-reinforced EPDM, PTFE-coated	96440739



**Diaphragm, DMM**

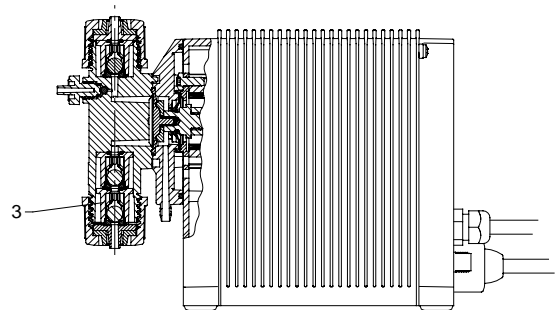
Pump size	Materials	Diaphragm pos. 2
DMM 4 DMM 8 DMM 15 DMM 23	Textile-reinforced EPDM, PTFE-coated	96440747
DMM 48 DMM 72	Textile-reinforced EPDM, PTFE-coated	96440749
DMM 110 DMM 155	Textile-reinforced EPDM, PTFE-coated	96440744
DMM 160 DMM 210 DMM 260	Textile-reinforced EPDM, PTFE-coated	96440745
DMM 290 DMM 390	Textile-reinforced EPDM, PTFE-coated	96440746
DMM 440 DMM 640 DMM 990	Textile-reinforced EPDM, PTFE-coated	96440748



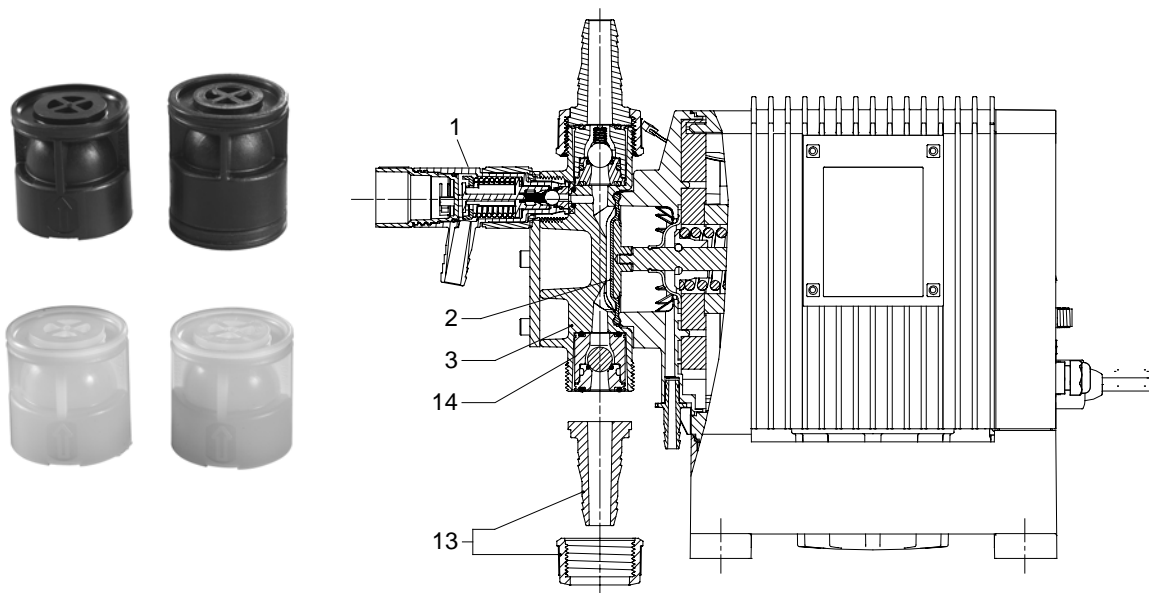


**Valves, DME**

Pump size	Valves	Materials dosing head / gaskets / valve balls	Valves 3 x pos. 3
DME 2 DME 8 DME 12	Standard	PP / EPDM / ceramic	96440711
		PP / FKM / ceramic	96446836
		PVDF / FKM / ceramic	96440713
		Stainless steel / FKM / stainless steel	96440723
	Spring-loaded	PP / EPDM / ceramic	96440712
		PP / FKM / ceramic	96446837
		PVDF / FKM / ceramic	96440722
		Stainless steel / FKM / stainless steel	96440724
		PP / EPDM / stainless steel	96549977
		PP / FKM / stainless steel	96549979
DME 19 DME 48	Standard	PP / EPDM / ceramic	96440711
		PP / FKM / ceramic	96446836
		PVDF / FKM / ceramic	96440713
		Stainless steel / FKM / stainless steel	96440723
	Spring-loaded	PP / EPDM / ceramic	96440712
		PP / FKM / ceramic	96446837
		PVDF / FKM / ceramic	96440722
		Stainless steel / FKM / stainless steel	96440724
		PP / EPDM / stainless steel	96549991
		PP / FKM / stainless steel	96549993
		PVDF / FKM / stainless steel	96549994

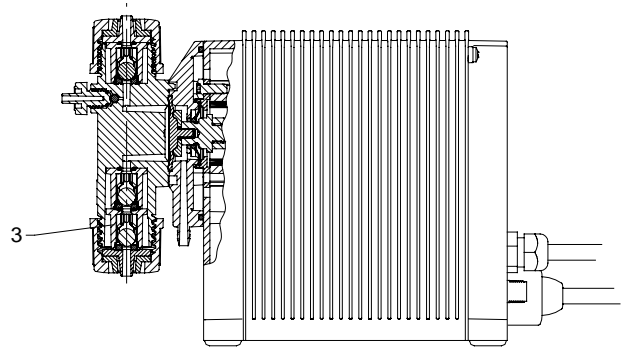


Pump size	Valves	Materials	Valves pos.2x14
DME 60	Standard	PP / EPDM / ceramics	96519442
		PP / FKM / ceramics	96519443
		PVDF / FKM / ceramics	96519444
		Stainless steel / FKM / Stainless steel	96519445
	Spring loaded	PP / EPDM / ceramics	96519446
		PP / FKM / ceramics	96519447
		PVDF / FKM / ceramics	96519448
		Stainless steel / FKM / Stainless steel	96519449
DME 150	Standard	PP / EPDM / ceramics	96519442
		PP / FKM / ceramics	96519443
		PVDF / FKM / ceramics	96519444
		Stainless steel / FKM / Stainless steel	96519445
	Spring loaded	PP / EPDM / ceramics	96519446
		PP / FKM / ceramics	96519447
		PVDF / FKM / ceramics	96519448
		Stainless steel / FKM / Stainless steel	96519449
DME 375	Standard	PP / EPDM / glass	96519452
		PP / FKM / glass	96519453
		PVDF / FKM / glass	96519454
		Stainless steel / FKM / Stainless steel	96519455
	Spring loaded	PP / EPDM / glass	96519456
		PP / FKM / glass	96519457
		PVDF / FKM / glass	96519458
		Stainless steel / FKM / Stainless steel	96519459
DME 940	Standard	PP / EPDM / glass	96519452
		PP / FKM / glass	96519453
		PVDF / FKM / glass	96519454
		Stainless steel / FKM / Stainless steel	96519455
	Spring loaded	PP / EPDM / glass	96519456
		PP / FKM / glass	96519457
		PVDF / FKM / glass	96519458
		Stainless steel / FKM / Stainless steel	96519459



**Valves, DMS**

Pump size	Valves	Materials dosing head / gaskets / valve balls	Valves 3 x pos. 3
DMS 2 DMS 4 DMS 8 DMS 12	Standard	PP / EPDM / ceramic	96440711
		PP / FKM / ceramic	96446836
		PVDF / FKM / ceramic	96440713
		Stainless steel / FKM / stainless steel	96440723
	Spring-loaded	PP / EPDM / ceramic	96440712
		PP / FKM / ceramic	96446837
		PVDF / FKM / ceramic	96440722
		Stainless steel / FKM / stainless steel	96440724
		PP / EPDM / stainless steel	96549977
		PP / FKM / stainless steel	96549979
	PVDF / FKM / stainless steel	96549990	

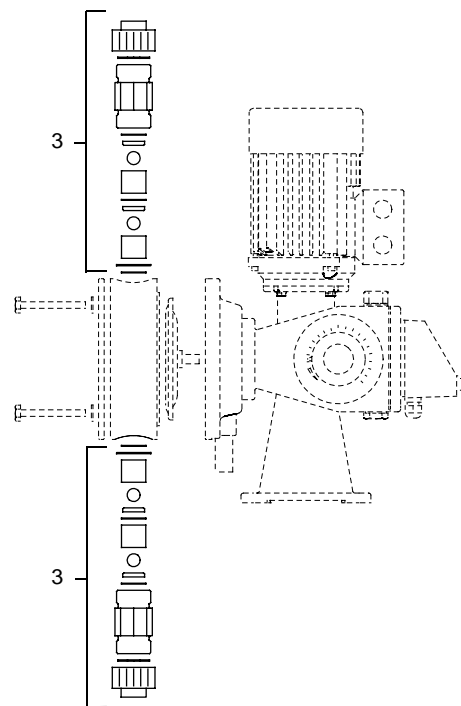


TM03 0076 3804

**Valves, DMM**

Pump size	Valves	Materials dosing head / gaskets / valve balls	Product numbers 2 x pos. 3
DMM 4 DMM 8	Standard	PP / EPDM / glass	96440725
		Stainless steel / PTFE / stainless steel	96440727
DMM 15 DMM 23	Spring-loaded	PP / EPDM / glass	96440726
		Stainless steel / PTFE / stainless steel	96440728
DMM 48 DMM 72	Standard	PP / hypalon / ceramic	96440729
		Stainless steel / asbestos-free / stainless steel	96440731
	Spring-loaded	PP / hypalon / ceramic	96440730
		Stainless steel / asbestos-free / stainless steel	96440732
DMM 110 DMM 155	Standard	PP / hypalon / glass	96440735
		Stainless steel / asbestos-free / stainless steel	96440737
	Spring-loaded	PP / hypalon / glass	96440736
		Stainless steel / asbestos-free / stainless steel	96440738

DMM 160 DMM 210 DMM 260	Standard	PP / hypalon / glass	96440735
		Stainless steel / asbestos-free / stainless steel	96440737
	Spring-loaded	PP / hypalon / glass	96440736
		Stainless steel / asbestos-free / stainless steel	96440738
DMM 290 DMM 390	Standard	PP / hypalon / glass	96440735
		Stainless steel / asbestos-free / stainless steel	96440737
	Spring-loaded	PP / hypalon / glass	96440736
		Stainless steel / asbestos-free / stainless steel	96440738
DMM 440 DMM 640 DMM 990	Spring-loaded	PP / hypalon / PVDF	96440733
		Stainless steel / asbestos-free / stainless steel	96440734



TM02 0560 4800 / TM02 0559 4800

DK  
GB  
DVenting valve kit, DME & DMS  
Ball kit for valves

# Dosing

**Venting valve kit, DME and DMS**

Pump size	Materials dosing head / gaskets / valve balls	Product numbers
DME 0-48 l/h DMS	PP / EPDM / ceramic	96484194
	PP / FKM / ceramic	96484193
	PVDF / FKM / ceramic	96484195
DME 60-940 l/h	PP / EPDM / ceramic	96520488
	PP / FKM / ceramic	96520489
	PVDF / FKM / ceramic	96520500



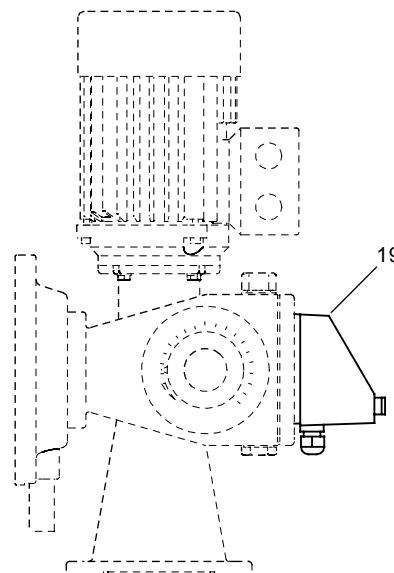
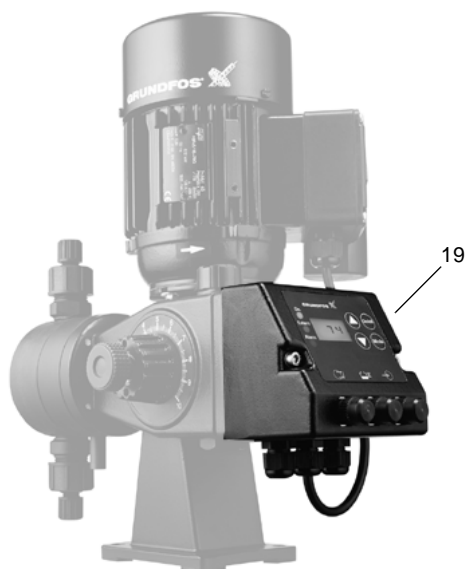
Venting valve, DME 60-940 l/h

**Ball kit for valves**

Ball size	Material	Description	Product numbers
ø4 mm	Ceramic	For venting valve, 12 Pcs.	96530331
ø4 mm	PTFE	For venting valve, 12 Pcs.	96537690
ø9.2 mm	Ceramic	For non-return valve, 12 pcs.	96530330
ø9.2 mm	PTFE	For non-return valve, 12 Pcs.	96528246
ø14 mm	Ceramic	For non-return valve, 12 pcs.	96530329
ø14 mm	PTFE	For non-return valve, 12 Pcs.	96528247

## Control unit, DMM-AR

Pump size	Control unit pos. 19
DMM 4 to DMM 390, control variant AR, 1 x 230V, 50 Hz	96440751
DMM 4 to DMM 390, control variant AR, 1 x 115V, 60 Hz	96475826



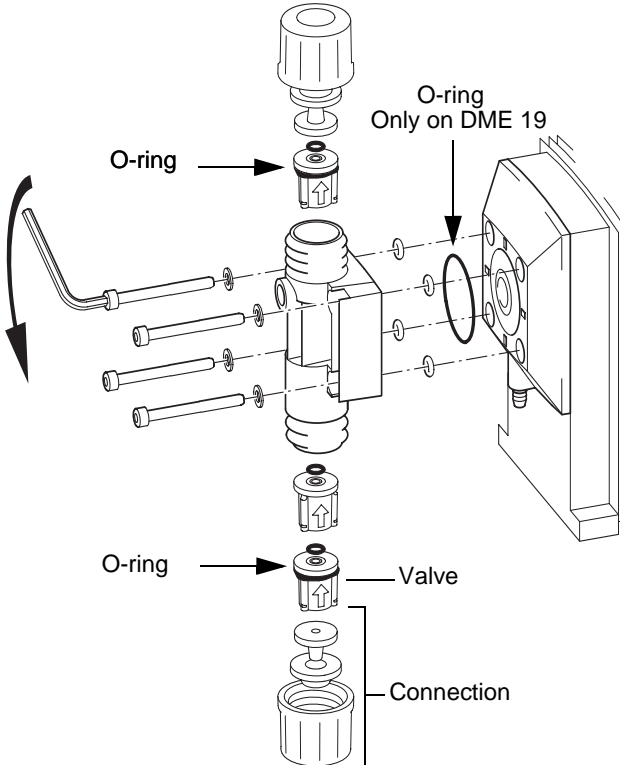
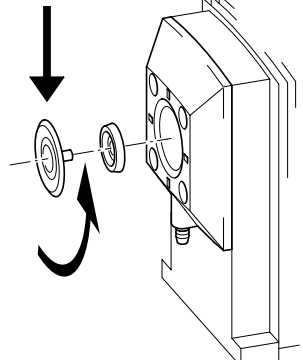
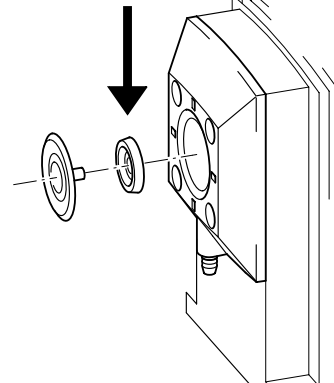
TM02 0561 4800 / TM02 0638 4900

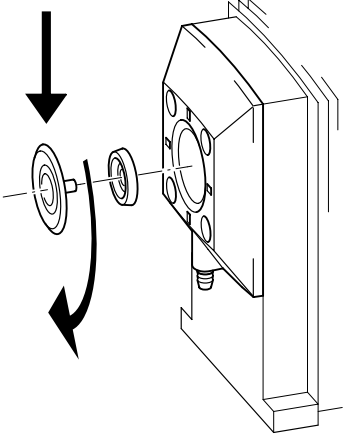
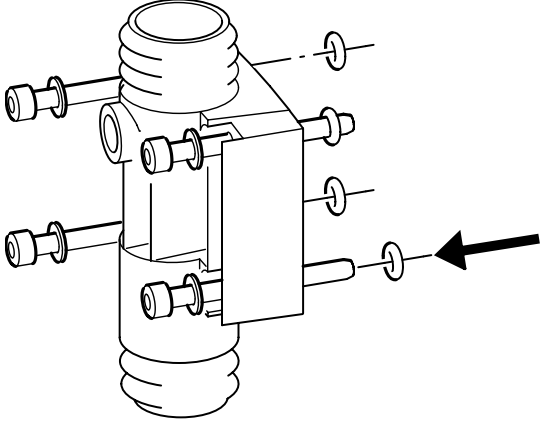
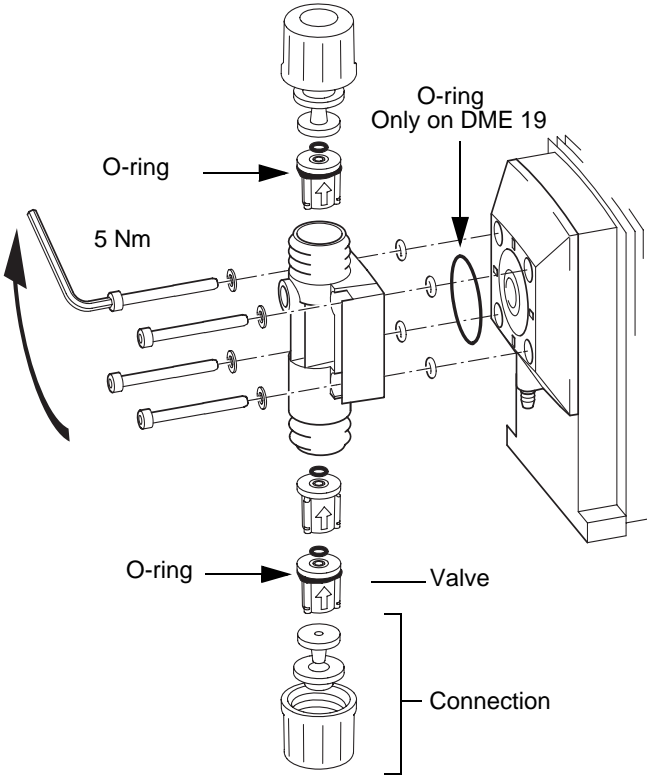
## Power cord kit, DME and DMS

Pump type	Description	Product numbers
DME DMS	Schuko	96497534
	United States	96497535
	Schweiz	96497536
	Australia	96497537
	United Kingdom	96497538
	Japan	96497539

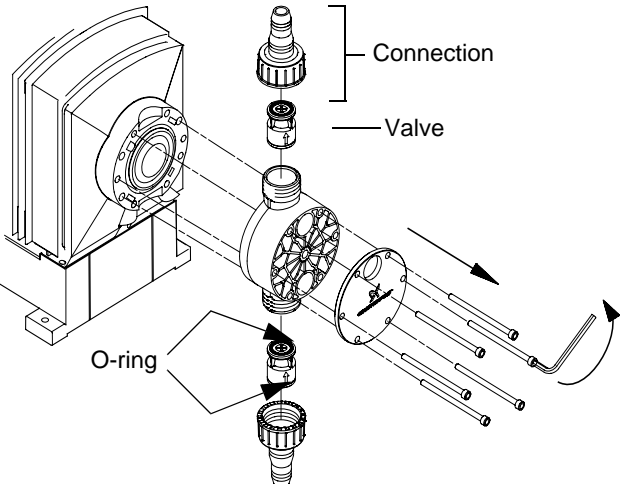
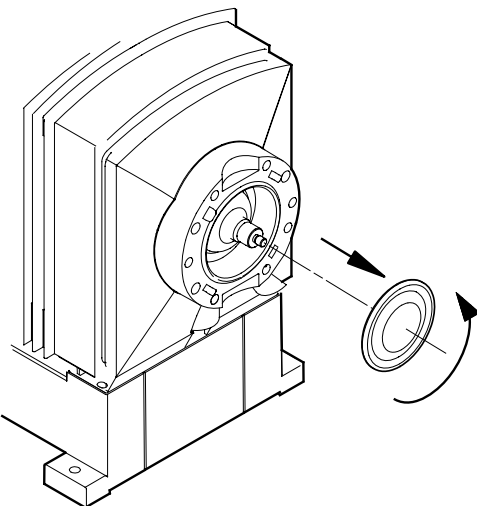
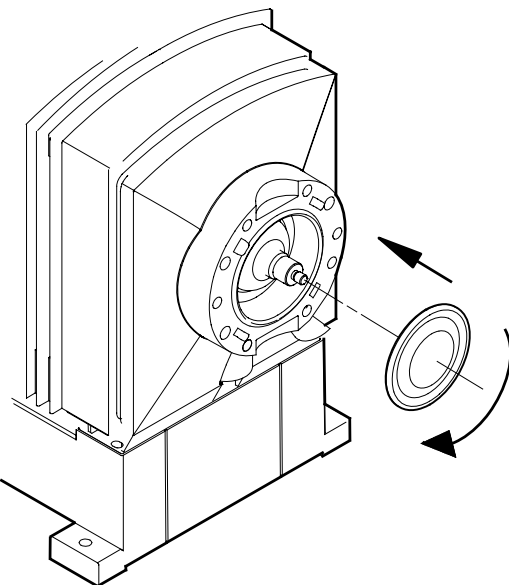
## Leak detector, DME 60 to 940

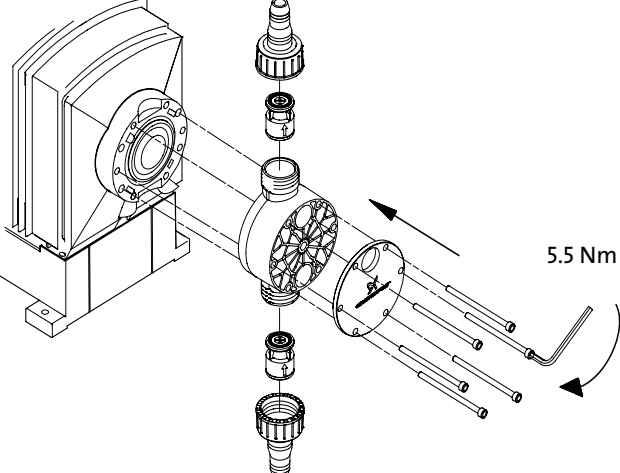
Pump type	Description	Product numbers
DME 60 - 940	Leak detector sensor M12 for diaphragm failure	96528620
	Mounting adapter for leak detector sensor M12	96528599

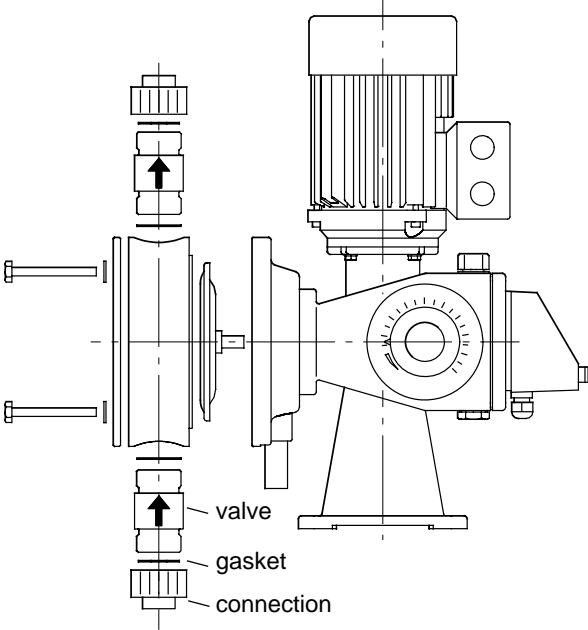
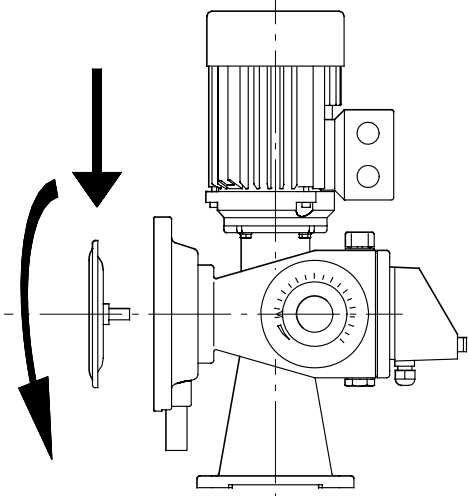
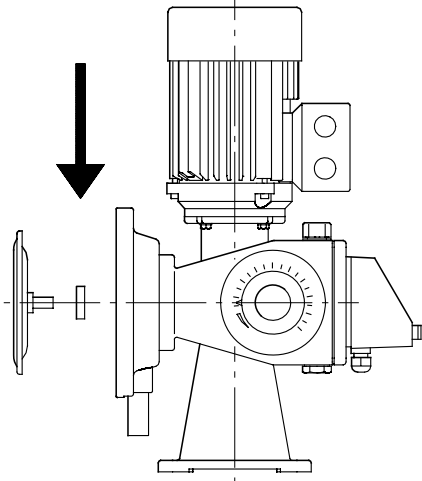
Step	Action
<p>1</p>  <p>O-ring</p> <p>O-ring Only on DME 19</p> <p>Valve</p> <p>Connection</p> <p>TM02 0197 4100</p>	<p><b>Stop the pump.</b></p> <ul style="list-style-type: none"><li>• Slacken the four hexagon socket head screws.</li><li>• Remove the dosing head.</li><li>• Remove the connections</li><li>• Remove the valves</li></ul>
<p>2</p>  <p>TM02 0198 4100</p>	<p><b>Remove the diaphragm.</b></p> <ul style="list-style-type: none"><li>• Screw the diaphragm counterclockwise.</li></ul>
<p>3</p>  <p>TM02 0200 4100</p>	<p><b>Check the support plate.</b></p> <ul style="list-style-type: none"><li>• The support plate behind the diaphragm must rest in the groove of the new diaphragm.</li></ul>

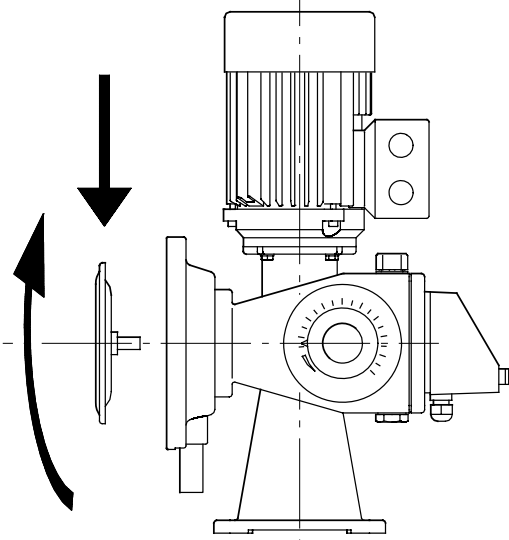
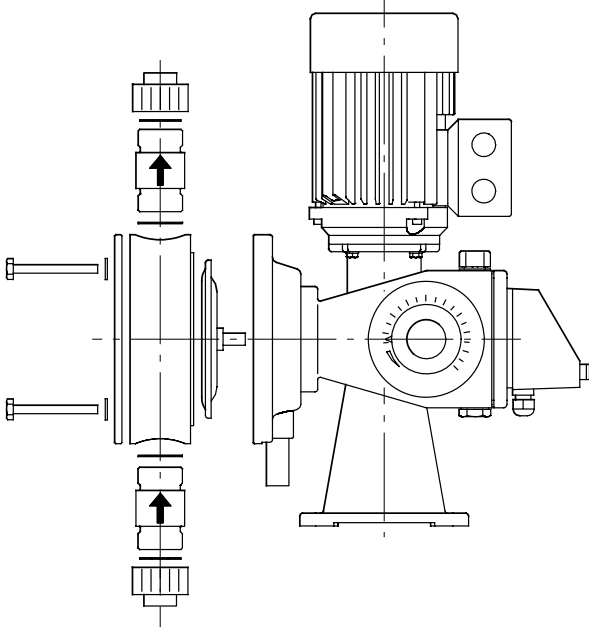
Step	Action
<p>4</p>  <p style="text-align: right; font-size: small;">TM02 0201 4100</p>	<p><b>Fit the diaphragm.</b></p> <ul style="list-style-type: none"> <li>• Screw the diaphragm clockwise.</li> </ul>
<p>5</p>  <p style="text-align: right; font-size: small;">TM02 0202 4100</p>	<p><b>Fit O-rings to the dosing head screws.</b></p> <ul style="list-style-type: none"> <li>• Push the O-rings over the hexagon socket head screws.</li> </ul>
<p>6</p>  <p style="text-align: right; font-size: small;">TM02 0735 5100</p>	<p><b>Fit the dosing head.</b></p> <ul style="list-style-type: none"> <li>• Fit the valves with the arrows in flow direction</li> <li><b>Note:</b> The valve with the o-ring must be positioned as shown on the figure</li> <li>• Fit the connections</li> <li>• Tighten the four hexagon socket head screws.</li> <li>• To be retightened after 4-5 hours of operation.</li> </ul>

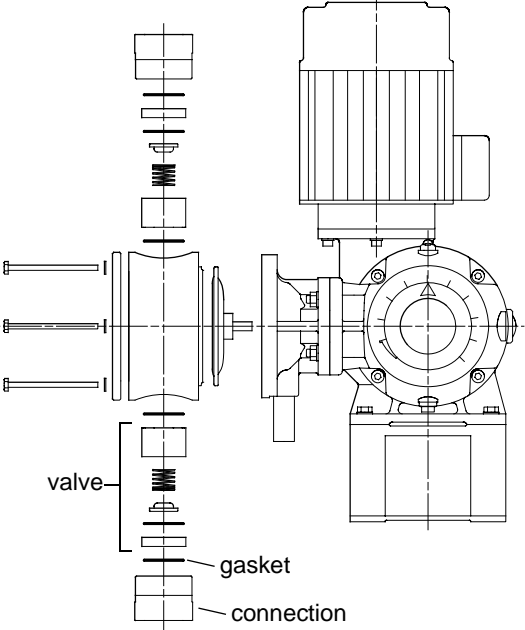
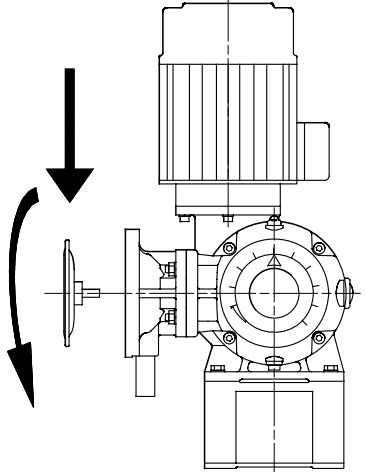
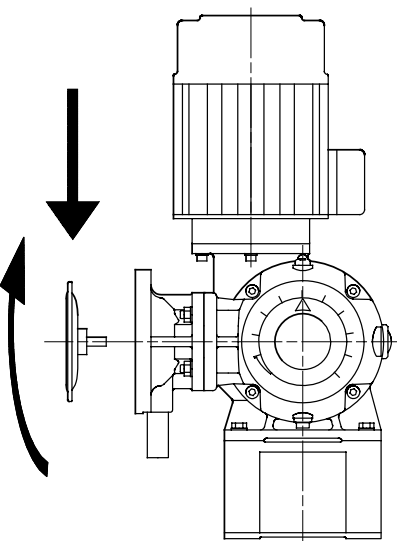


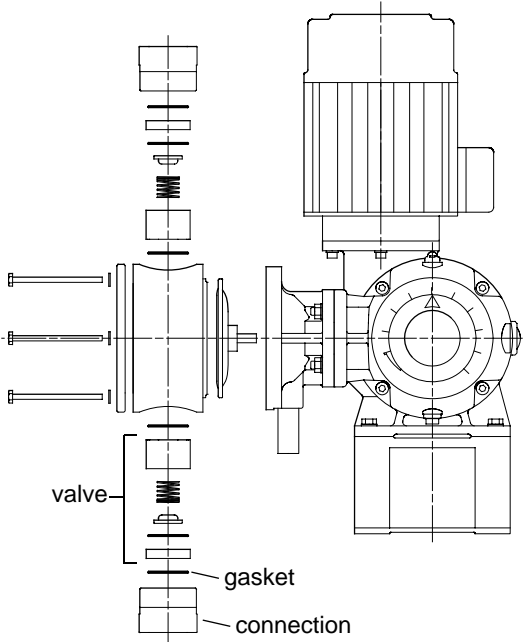
Step	Action
<p>1</p>  <p>Connection</p> <p>Valve</p> <p>O-ring</p> <p>TM02 9005 1304</p>	<p><b>Stop the pump.</b></p> <ul style="list-style-type: none"><li>• Remove the connections</li><li>• Remove the valves</li><li>• Slacken the six hexagon socket head screws.</li><li>• Remove the dosing head</li></ul>
<p>2</p>  <p>TM02 9006 1304</p>	<p><b>Remove the diaphragm.</b></p> <ul style="list-style-type: none"><li>• Screw the diaphragm counterclockwise.</li></ul>
<p>3</p>  <p>TM02 9007 1304</p>	<p><b>Fit the new diaphragm.</b></p> <ul style="list-style-type: none"><li>• Screw the diaphragm clockwise.</li></ul>

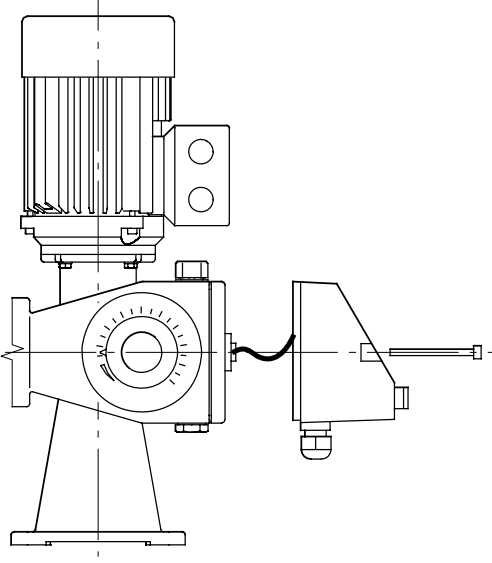
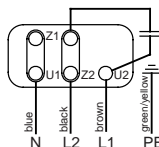
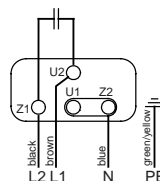
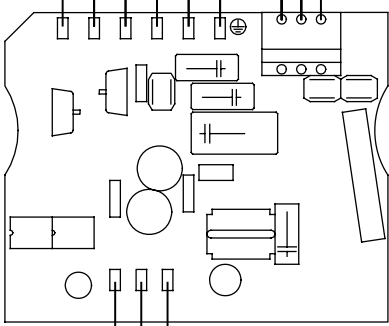
Step	Action
<p>4</p>  <p>5.5 Nm</p> <p>TM02 9008 1304</p>	<p><b>Fit the dosing head.</b></p> <ul style="list-style-type: none"><li>• Fit the dosing head</li><li>• Mount and tighten the six hexagon socket head screws.</li><li>• To be retightened after 4-5 hours of operation.</li><li>• Fit the valves with the arrows in flow direction</li><li>• Fit the connections</li></ul>

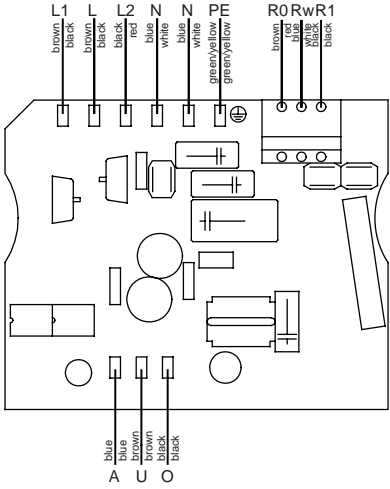
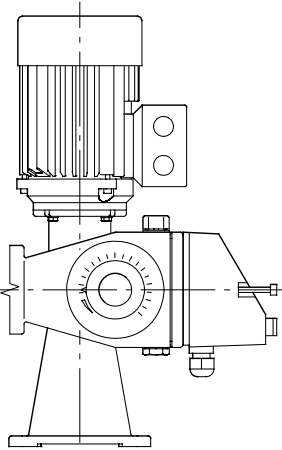
Step	Action
<p>1</p>  <p>valve gasket connection</p> <p>TM02 0373 4400</p>	<p><b>Stop the pump.</b></p> <ul style="list-style-type: none"><li>• Switch off the electricity supply</li><li>• Slacken the four screws on the dosing head.</li><li>• Remove the dosing head.</li><li>• Remove the connections.</li><li>• Remove the valves.</li><li>• Remove the fan cover from the motor.</li><li>• Turn the fan until the diaphragm is in the outer position.</li></ul>
<p>2</p>  <p>TM02 0563 4800</p>	<p><b>Remove the diaphragm.</b></p> <ul style="list-style-type: none"><li>• Screw the diaphragm counterclockwise.</li></ul>
<p>3</p>  <p>TM02 0564 4800</p>	<p><b>Only DMM 48 and DMM 72:</b></p> <p><b>Check the seal washer.</b></p> <ul style="list-style-type: none"><li>• The seal washer behind the diaphragm must rest in the groove of the diaphragm rod.</li></ul>

Step	Action
<p data-bbox="86 257 102 280">4</p>  <p data-bbox="810 728 826 851" style="writing-mode: vertical-rl; transform: rotate(180deg);">TM02 0565 4800</p>	<p data-bbox="845 526 1037 548"><b>Fit the diaphragm.</b></p> <ul data-bbox="845 560 1189 593" style="list-style-type: none"><li>• Screw the diaphragm clockwise.</li></ul>
<p data-bbox="86 873 102 896">5</p>  <p data-bbox="810 1646 826 1769" style="writing-mode: vertical-rl; transform: rotate(180deg);">TM02 0373 4400</p>	<p data-bbox="845 1265 1244 1288"><b>Fit the dosing head and the fan cover.</b></p> <ul data-bbox="845 1299 1324 1388" style="list-style-type: none"><li>• Fit the valves with the arrows in flow direction.</li><li>• Fit the dosing head.</li><li>• Tighten the four screws.</li></ul>

Step	Action
<p>1</p>  <p>valve</p> <p>gasket</p> <p>connection</p> <p>TM02 0410 4800</p>	<p><b>Dismantling</b></p> <ul style="list-style-type: none"><li>• Stop the pump.</li><li>• Switch off the electricity supply.</li><li>• Slacken the four screws on the dosing head.</li><li>• Remove the dosing head.</li><li>• Remove the connections.</li><li>• Remove the valves.</li><li>• Remove the fan cover from the motor.</li><li>• Turn the fan until the diaphragm is in the outer position.</li></ul>
<p>2</p>  <p>TM02 0568 4800</p>	<p><b>Remove the diaphragm.</b></p> <ul style="list-style-type: none"><li>• Screw the diaphragm counterclockwise.</li></ul>
<p>3</p>  <p>TM02 0570 4800</p>	<p><b>Fit the diaphragm.</b></p> <ul style="list-style-type: none"><li>• Screw the diaphragm clockwise.</li></ul>

Step	Action
<p data-bbox="87 257 103 280">4</p>  <p data-bbox="231 750 295 772">valve</p> <p data-bbox="406 840 486 862">gasket</p> <p data-bbox="406 884 534 907">connection</p> <p data-bbox="805 795 821 918" style="writing-mode: vertical-rl; transform: rotate(180deg);">TM02 0410 4800</p>	<p data-bbox="845 481 949 504"><b>Assembly</b></p> <ul data-bbox="845 515 1324 694" style="list-style-type: none"><li>• fit the fan cover.</li><li>• Fit the valves.</li><li>• Fit the connections.</li><li>• Fit the dosing head.</li><li>• Tighten the four screws.</li><li>• To be retightened after 4-5 hours of operation.</li></ul>

Step	Action
<p>1</p>  <p style="text-align: right; font-size: small;">TM02 0573 4800</p>	<p><b>Stop the pump.</b></p> <ul style="list-style-type: none"> <li>• Disconnect the electricity supply to the pump.</li> <li>• Slacken the two fastening screws and remove the control unit from the sensor plate.</li> </ul>
<p>2</p> <div style="display: flex; justify-content: space-around;"> <div style="text-align: center;"> <p>DMM 4 - 155 L</p>  </div> <div style="text-align: center;"> <p>DMM 160 - 390 L</p>  </div> </div> <p style="text-align: right; font-size: small;">TM02 6073 5002</p>	<p><b>Wiring diagram</b></p>
<p>3</p> <div style="display: flex; justify-content: space-around;"> <div style="text-align: center;"> <p>Motor cable</p> <p>L1 brown L black L2 brown N black N red N blue N white PE green/yellow PE green/yellow</p> </div> <div style="text-align: center;"> <p>Alarm cable</p> <p>R0R brown R1R red R0W white R1W black R black</p> </div> </div>  <div style="text-align: center; margin-top: 10px;"> <p>Stroke sensor cable</p> <p>A blue U blue O brown black black</p> </div> <p style="text-align: right; font-size: small;">TM02 6073 5002</p>	<p><b>Remove</b></p> <ul style="list-style-type: none"> <li>• motor cable from the pc-board.</li> <li>• stroke sensor cable from the pc-board.</li> <li>• alarm cable from the pc-board.</li> </ul>

Step	Action
<p>4</p> <p>Motor cable      Alarm cable</p>  <p>Stroke sensor cable</p> <p style="text-align: right;">TM02 6073 5002</p>	<p><b>Connect</b></p> <ul style="list-style-type: none"> <li>• motor cable from the pc-board.</li> <li>• stroke sensor cable from the pc-board.</li> <li>• alarm cable from the pc-board.</li> </ul>
<p>5</p>  <p style="text-align: right;">TM02 0580 4800</p>	<p><b>Fit the control unit to the sensor plate.</b></p> <ul style="list-style-type: none"> <li>• Fasten the two screws.</li> </ul> <p><b>Check the seal.</b> The seal between the control unit and the gearbox must be in the correct position.</p> <p><b>Set the maximum stroke frequency, see below.</b></p>

### Setting the maximum stroke frequency

The control unit must be set for the individual pump type by setting the maximum stroke frequency of the actual pump type.

To set the maximum stroke frequency, proceed as follows:

1. Switch off the electricity supply to the pump.
2. press the buttons **Mode** and **On / off** simultaneously.
3. Switch on the electricity supply to the pump.
4. The display shows the maximum permissible stroke frequency.
5. Keep the buttons pressed and change the value by means of the **arrow-up** and **arrow-down** buttons according to the table below.

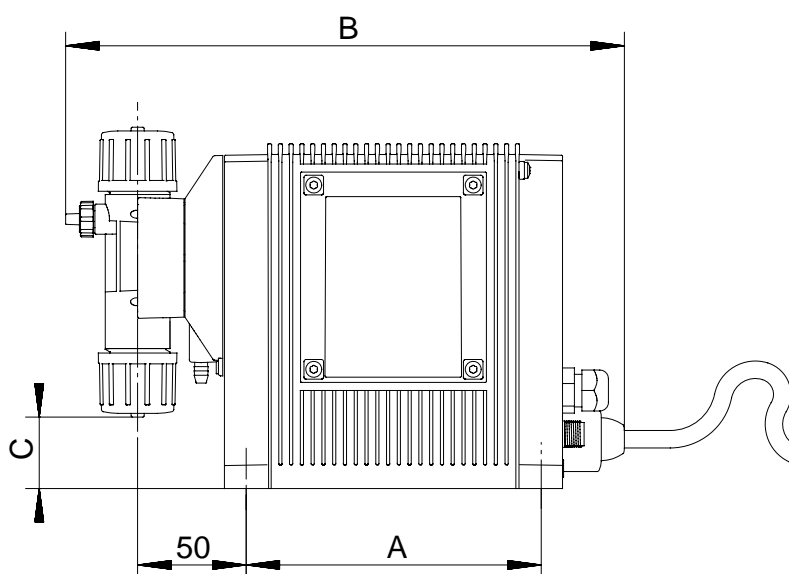
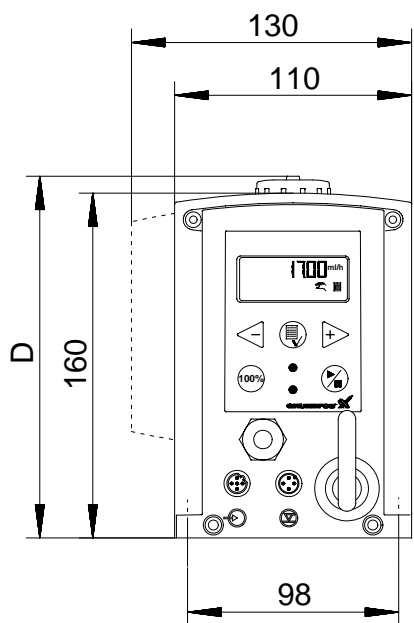
Pump type	Maximum stroke frequency	
	50 Hz	60 Hz
DMM 4	26	31
DMM 8	48	57
DMM 15	95	114
DMM 23	142	142
DMM 48	95	114
DMM 72	142	142
DMM 110	95	114
DMM 155	142	142
DMM 160	71	85
DMM 210	95	114
DMM 260	120	-
DMM 290	95	114
DMM 390	120	-

6. Stop pressing the buttons **Mode** and **On / off**.
7. The pump restarts automatically when the buttons are no longer pressed.

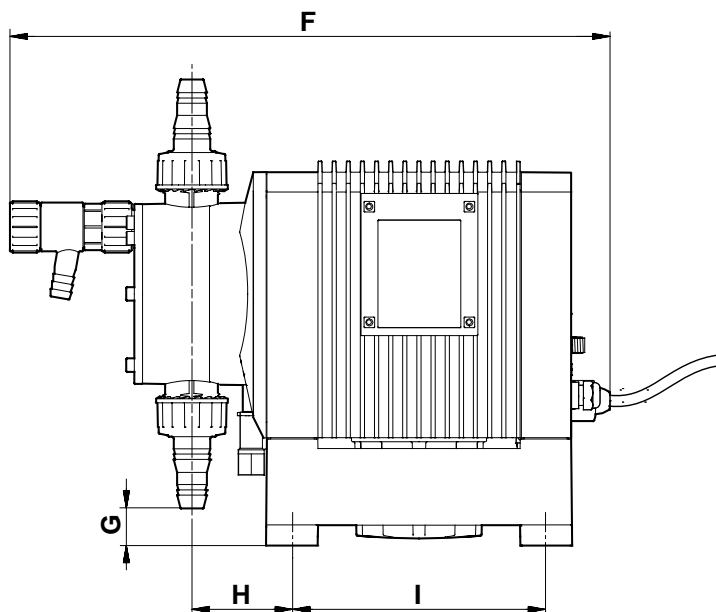
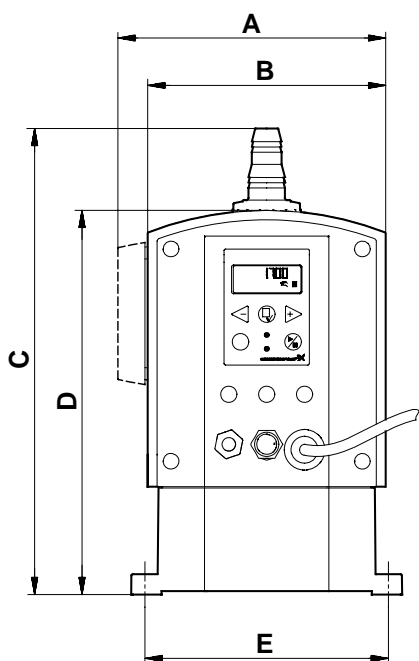


DK GB D	Dimensions, DME	<b>DM</b>
---------------	-----------------	-----------

	DME 2	DME 8	DME 12	DME 19	DME 48	DME 60	DME 150	DME 375	DME 940
A = [mm]	137			192		176		238	
B = [mm]	239			294		198		218	
C = [mm]	36			15		331	345	471	496
D = [mm]	168			188		284		364	
E = [mm]						180		230	
F = [mm]						444		540	539
G = [mm]						41	28	31	6
H = [mm]						74		95	
I = [mm]						187		246	



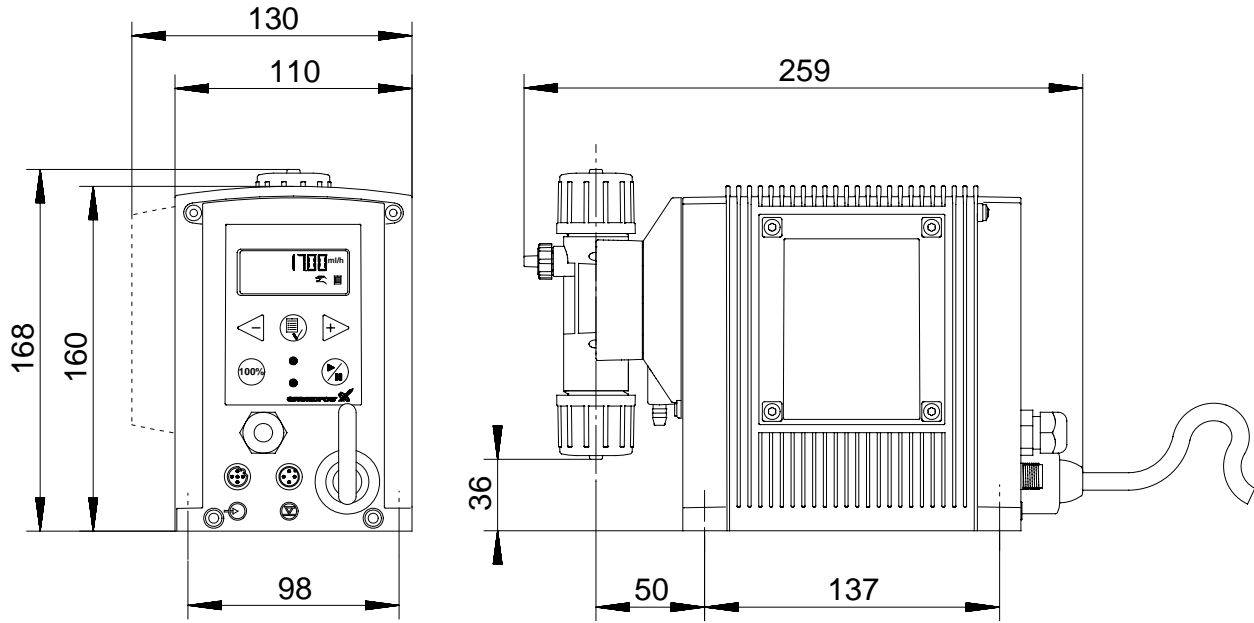
**DME 2-48**



**DME 60-940**

TM01 9232 0900

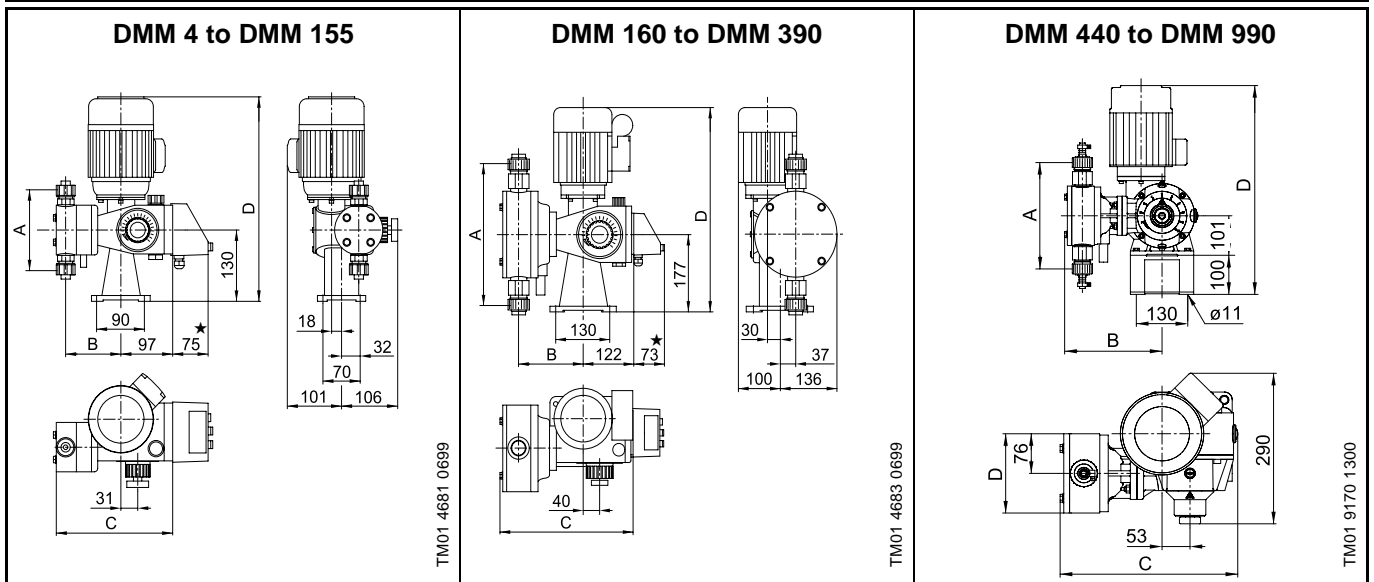
TM02 7062 2503



TIM01 8637 0500

DK GB D	Dimensions, DMM	<b>DM</b>
---------------	-----------------	-----------

Type	Dimensions [mm]			
	A	B	C	D
DMM 4	108	95	212	372
DMM 8	108	95	212	372
DMM 15	108	95	212	372
DMM 23	108	95	212	372
DMM 48	147	103	224	372
DMM 72	147	103	224	372
DMM 110	243	117	259	372
DMM 155	243	117	259	372
DMM 160	278	148	317	486
DMM 210	278	148	317	486
DMM 260	278	148	317	486
DMM 290	318	153	320	486
DMM 390	318	153	320	486
DMM 440	265	225	425	530
DMM 640	265	225	425	530
DMM 990	265	225	425	530



\* Only control variant AR.