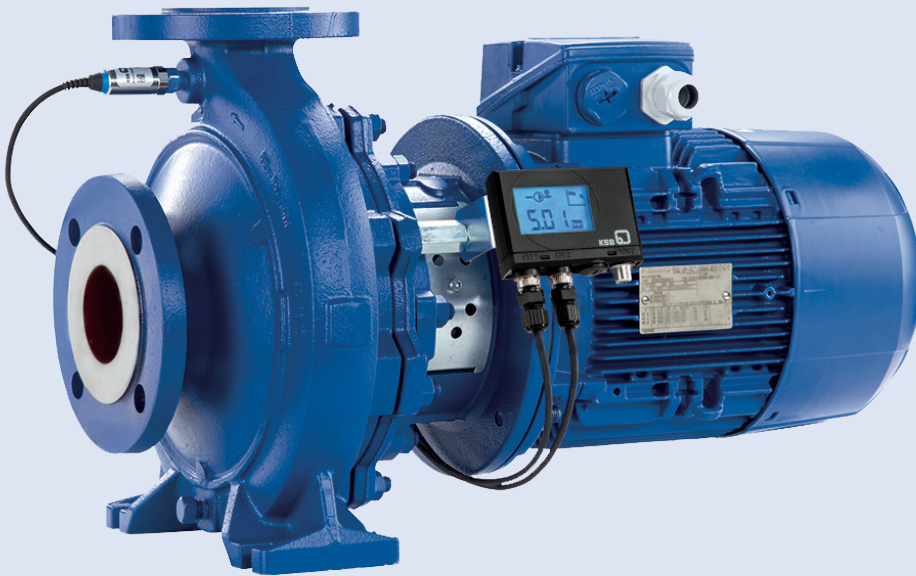


Etabloc – The Compact Pump



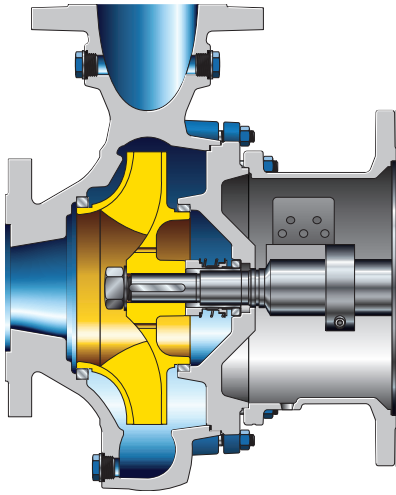
Applications:

Pure liquids not chemically or mechanically aggressive to the pump materials

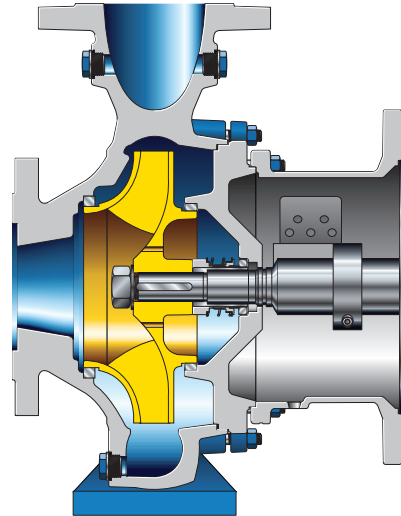
- Breweries
- Building services
- Steel
- Fire-fighting and sprinkler systems
- Food and beverages
- Industry engineering
- Industrial wastewater
- Process
- and more

For more information, visit:
ksb.us.com

Etabloc – The Compact Pump



Etabloc – without support foot



Etabloc – with support foot

High energy efficiency

- Optimized hydraulic system of high efficiency. As a standard, the impellers are trimmed to the operating point.
- Ground-breaking features for saving energy.
- Equipped with PumpDrive for variable-speed operation.

Compact design

- Pump without separate coupling, which eliminates the need for coupling alignment.

Reliability

- Good suction performance for low vibration levels and very smooth running.
- Safe transport of the complete pump set and pump foot and motor foot already levelled for installation from 100 – 148 hp.
- Wetted parts are free from primers and thus generally recognized as safe for handling drinking water.

Versatility

- Large choice of materials for many applications
- Horizontal or vertical shaft axis position can be selected.
- Hydraulic test run to ISO 9906 3B, 2B and 2U available.
- Optional interior and exterior coating for better protection against corrosion.
- Available in a wide range of materials for a variety of fluids.
- Wide choice of seals for demanding fluids.
- Additional sizes for small flow rates extend the already diverse range of selection charts.

Service-friendly

- Fast delivery of new pumps and spare parts.
- Easier to assemble and dismantle thanks to the large seal chamber and threaded holes for forcing screws between the casing cover and bearing bracket.

Materials

Grey cast iron EN-GJL-250 / A48 CL 35B

Nodular cast iron EN-GJS-400-15 / A536 GR 60-40-18

Stainless steel 1.4408 / A743 Gr CF8M

Bronze CC480K-GS / B30 C90700

Technical data

Flow rate	Up to 3,322 gpm
Head	Up to 524 ft.
Fluid temperature	-22° F to 284° F
Pressure	up to 232 psi



PUFFER Rotating Equipment
Pumps & Parts ▪ Pump Skids ▪ Repairs & Services

12305 Kurland Dr, Houston, TX 77034
RotatingEquipment@puffer.com 281-240-2000



Authorized Sales Partner