

Movitec H(S)I – Multistage Horizontal High-Pressure Pump



Movitec H(S)I with KSB SuPremE® IE5 motor*, PumpDrive and PumpMeter



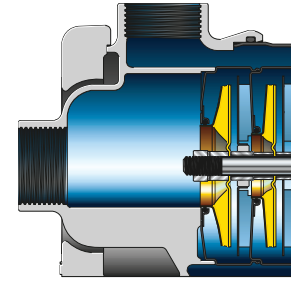
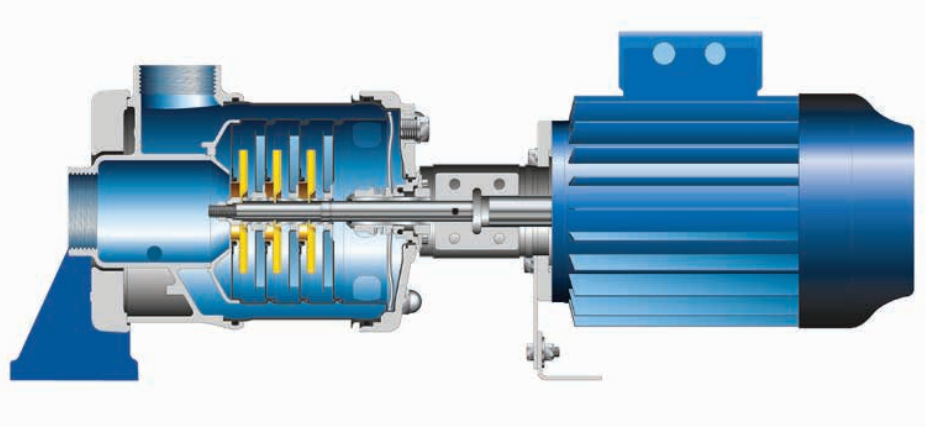
Applications:

- Industry
- Chemical industry
- Heat and steam generation
- Cooling water supply
- General irrigation and spray irrigation
- Water treatment
- Washing plants
- Marine applications
- Fire fighting and sprinkler systems
- Pressure boosting
- HVAC
- Low-NPSH applications:
 - Boiler feed applications (hot water)
 - Condensate lifting
 - Pumping from low-lying reservoirs/tanks

More information:

www.ksb.com/products

Movitec H(S)I – Multistage Horizontal High-Pressure Pump



Movitec H(S)I hydraulic system for low-NPSH applications: same height as standard version, for easy interchangeability.

Ground-breaking features for saving energy

- Highest efficiencies
- Very low NPSH values
- Maximum energy efficiency at full transparency of pump operation with KSB SuPremE® IE5 motor* and PumpDrive

Flexible

- Large variety of materials and unique connection as well as large temperature range
- Hydraulic systems with specially designed low-NPSH impellers available for critical applications

* IE5 in accordance with IEC/TS 60034-30-2 up to 15/18.5 kW (only for 1500 rpm types rated 0.55 kW, 0.75 kW, 2.2 kW, 3 kW, 4 kW: IE5 in preparation)

Reliable

Product-lubricated plain bearings of tungsten carbide, cast pump foot, torsion-resistant pump shroud and confined O-rings

Easy to service

- Can be fitted with any standardised mechanical seal (to EN 12756)
- Can be fitted with Easy Access and cartridge seals allowing quick replacement

Long service life

Corrosion-resistant hydraulic components made of stainless steel

Technical data	50 Hz	60 Hz
Max. flow rate in GPM	99	115
Max. head in ft.	439	640
Pump sizes	2, 4, 6, 10 & 15	
Fluid temperature in °F	284	
Max. pressure class in psi	362	
NPSH in m	≥ 0.4	≥ 0.6
Motors	Standard IE3, KSB SuPremE® IE5* motor, max. 7.5 kW (non-ATEX)	
Seals	Same variants as Movitec (ex. H7N)	
Not self-priming		
Min. NPSH data for low-NPSH impeller		

Connections

Female thread	
Sizes 2, 4, 6	G5/4
Sizes 10, 15	G2

Materials	Movitec HI	Movitec HSI
Pump casing	1.4408	1.4408
Stage casing	1.4301	1.4404
Cover	1.4301	1.4404
Pump shroud	1.4301	1.4404
Shaft	1.4057	1.4460
Impeller	1.4301	1.4404
Drive lantern	EN-GJL-250	
O-ring	EPDM (WRC/ACS) / FPM HNBR	
Spacer sleeve	1.4301	1.4404
Bearing bush	Tungsten carbide / ceramic	
Baseplate	EN-GJS-400-15	
Tie bolts	1.4057	
Nut	1.4301	1.4404
Circlip	1.4571	



PUFFER Rotating Equipment
Pumps & Parts • Pump Skids • Repairs & Services

12305 Kurland Dr, Houston, TX 77034
RotatingEquipment@puffer.com 281-240-2000

KSB
Authorized Sales Partner