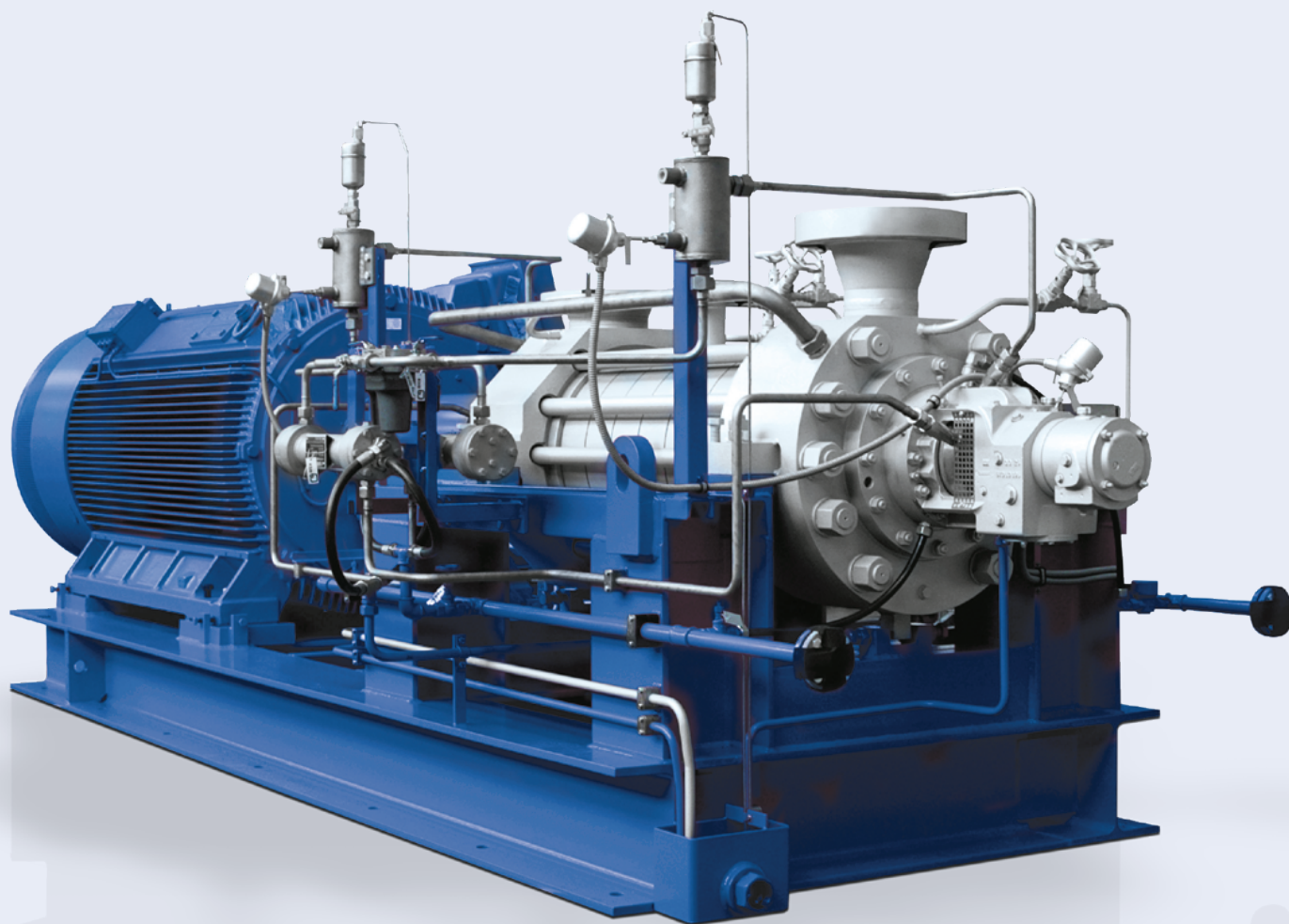


HGC – Boiler feed pump

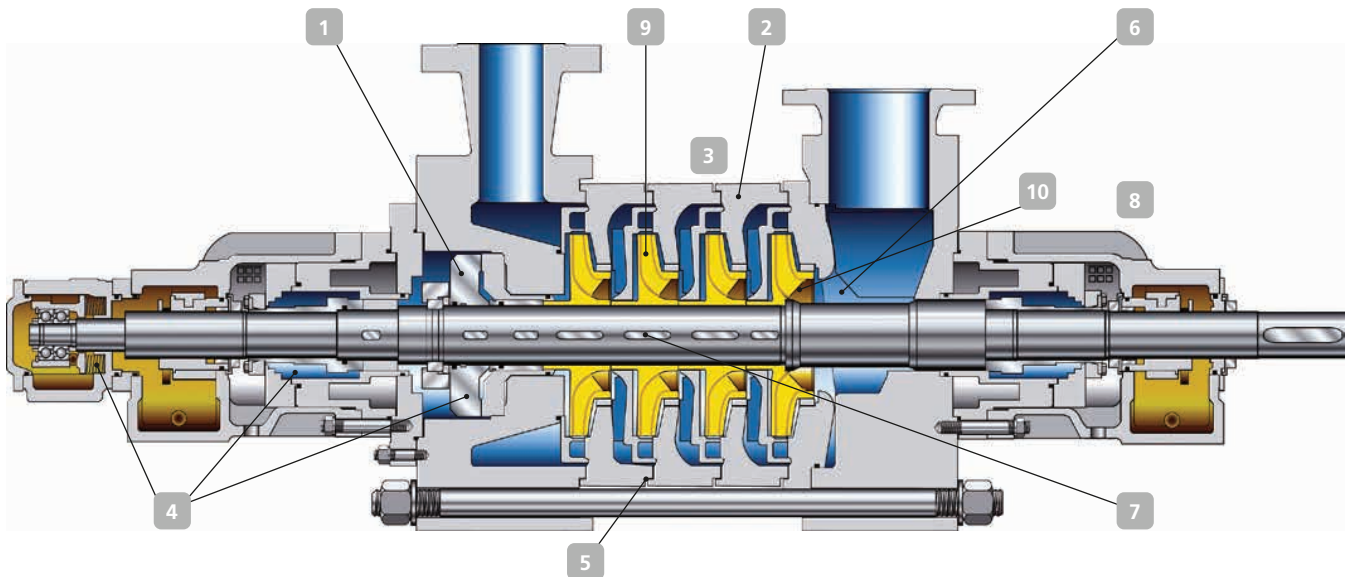


Applications:

- Handling of boiler feed water and condensate in power stations and industrial facilities
- Generation of pressurized water for descaling equipment

More information: www.ksb.com/products

HGC – Boiler feed pump



High operating reliability

- 1 Axial thrust balancing by balance disc
- 2 Adaptation of pump casing to rotor deflection line

Tapping

- 3 Extraction of one or several partial flows of feed water for use elsewhere in the power station

Ease of service

- 4 Easy maintenance of wear parts (bearings, seal elements, balancing devices)
- 5 Metal-to-metal sealing of casing

Long service life

- 6 Avoidance of cavitation erosion inside the pump through hydraulically optimised inlet
- 7 Variant: straight shaft design featuring increased operating safety

Reduced energy costs

- 8 No pre-warming of pump required
- 9 More than 100 impeller/diffuser combinations with optimum efficiencies possible

Low capital expenditure

- 10 Double-entry inlet available as an option (so, in many applications, no booster pump is required)

Materials

Suction casing	Carbon steel
Discharge casing	Chrome steel
Stage casing	Chrome steel
Impeller / Diffuser	Chrome steel
Shaft	Quenched and tempered steel

Technical data*

Flow	up to 6,340 GPM
Head	up to 13,779 Ft
Operating pressure	up to 6,091 psi
Temperature	up to 392 °F
Frequency	50/60 Hz

*Higher ratings on request



PUFFER Rotating Equipment
Pumps & Parts ▪ Pump Skids ▪ Repairs & Services

12305 Kurland Dr, Houston, TX 77034
RotatingEquipment@puffer.com 281-240-2000

