

# KRT – Submersible Motor Pump



### Applications:

- Drainage
- Industrial wastewater
- Service water supply
- Sludge disposal
- Stormwater transport

For more information, visit:  
[ksb.us.com](http://ksb.us.com)

### Impeller options



Type F-max



Type E-max



Type D



Type D-max



Type K-max

# KRT – Submersible Motor Pump

## 1 Reliable operation

- Non-clogging impellers with large free passages, optimized for every type of wastewater
- Specially protected cable entry
- Monitoring: Sensors trigger a warning in the event of overheating or ingress of moisture

## 2 Energy savings

- Optimized hydraulic system yields high efficiency
- Energy-saving motors meeting IE3 requirements\*

## 3 Dependability

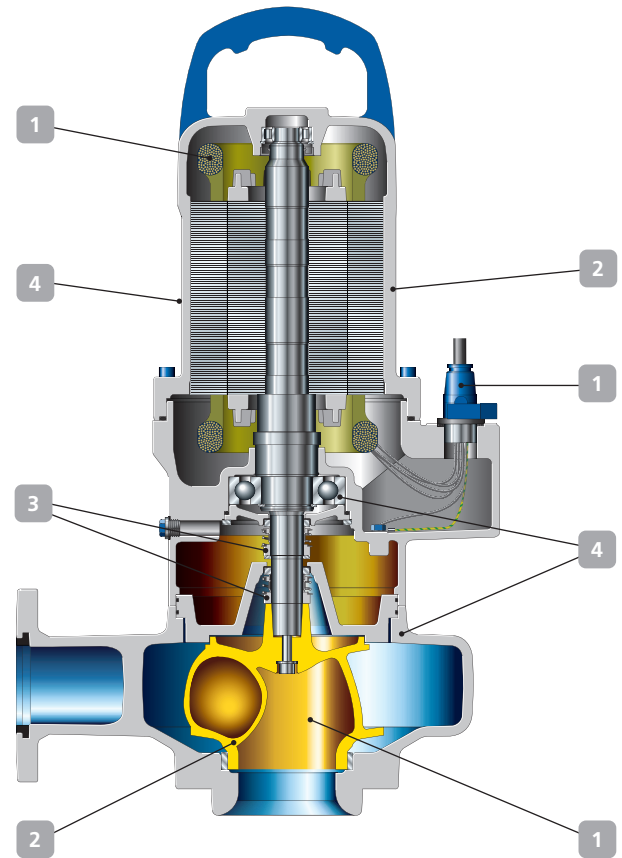
Two bi-directional mechanical seals

## 4 Cost efficiency

- The right material for every fluid. Available in grey cast iron, optionally in corrosion-resistant duplex stainless steel or wear-resistant white cast iron for a long service life
- Rolling element bearings are lubricated for life to reduce maintenance
- Optimized spare parts inventories: Standardized components are interchangeable within this type series and with the wastewater pumps of the Sewatec type series

## Flexibility

Various installation types to suit different building structures



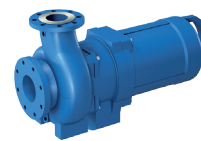
## Installation options



Wet installation with guide wire



Wet installation with guide rail(s)



Horizontal dry installation



Vertical dry installation

## Technical data

Sizes	DN 40 to 700, 1½ - 28 in.
Capacity	Up to 45,000 gpm
Head	Up to 330 ft.
Fluid temperature	Up to 140° F
Automation possible	Yes

\*IEC 60034-30 standard not binding for submersible motors. Efficiencies calculated/determined according to the measurement method specified in IEC 60034-2. The marking is used for submersible motors that achieve efficiency levels similar to those of standardized motors to the IEC 60034-30 standard.



**PUFFER** Rotating Equipment  
Pumps & Parts ▪ Pump Skids ▪ Repairs & Services

12305 Kurland Dr, Houston, TX 77034  
RotatingEquipment@puffer.com 281-240-2000



Authorized Sales Partner