

## RPHd – Double-suction, Single-stage Heavy-duty BB2 Process Pump

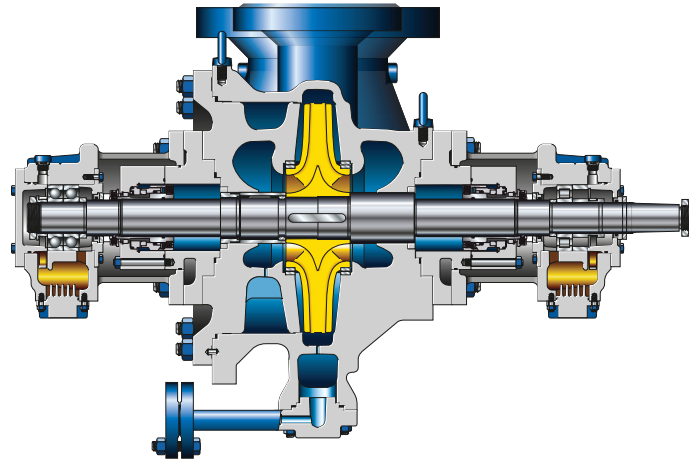


### Applications:

- Refineries
- Petrochemical and chemical industries
- Onshore and offshore processes

More information: [www.ksb.com](http://www.ksb.com)

# RPHd – Double-suction, Single-stage Heavy-duty BB2 Process Pump to API 610 / ISO 13709



- Robust design for longer service life**
  - Process pump in heavy-duty design to API 610
  - Optimised pressure boundary and hydraulic system with reinforced optimised shaft
- Wide range of variants for a broad application range and optimum adaptation to the system**
  - Numerous flange designs
  - Large choice of materials
  - Coolable/ heatable seal housing
  - Various bearing lubrication variants
- Long service life and high reliability of the bearings**
  - Heavy-duty paired 40° angular contact ball bearings
  - Double volute and double-suction impeller
  - Standard version with oil ring lubrication and labyrinth seals
  - Version with hydrodynamic bearings for higher energy density
- Lower operating costs and higher system availability**
  - Comprehensive hydraulic selection chart for optimum selection
  - Better efficiencies and NPSH values than OH2 pumps
  - No need for a separate cooling circuit; integrated cooling fins and optional fan impeller ensure optimum cooling of the bearing brackets.
- Ease of service**
  - Easy to monitor and service due to top-top flange arrangement
  - Suction-side casing cover simplifies rotor removal.
  - Straightforward servicing due to mechanical seals to API 682 (cartridge design)
  - Replaceable casing and impeller wear rings
  - Modular design system reduces spare parts stock.

Materials	Technical data	50 Hz	60 Hz
S5, S6, S8, C6, A8, D1, D2 and special materials	Max. flow rate	5100 m <sup>3</sup> /h / 22455 US gpm	6000 m <sup>3</sup> /h / 26417 US gpm
	Max. head	550 m / 1804 ft	550 m / 1804 ft
	Max. temperature	-80 °C to +450 °C / -112 °F to 842 °F	
	Max. pressure	80 bar / 1160 psi	
	Nominal diameter	100-400 mm / 4-16 in	

Other values on request



**PUFFER** Rotating Equipment  
Pumps & Parts • Pump Skids • Repairs & Services

12305 Kurland Dr, Houston, TX 77034  
RotatingEquipment@puffer.com 281-240-2000



Authorized Sales Partner